

Project:

Type:

Prepared By:

Date:



UPC: 019813510675

Features and Benefits

- Produces rich and vibrant colors >90CRI
- Energy efficient replacement for incandescent and halogen Small diameter reflectors
- Constructed from durable materials which lowers risk of breakage
- Rated for use in enclosed and open fixtures in dry or damp locations
- Single optic and full face lens for precise beam angle control
- Longer lifespan compared to legacy equivalents minimizes replacement and maintenance costs
- Title 20 Compliant, ENERGY STAR Compliant, UL Listed
- Compatible with low voltage transformers (check compatibility list)

Technical Specifications

Performance

Product Type:

PAR

Input Wattage:

6.5W

Wattage Equivalency:

60W Halogen

Lumens (Nominal):

560lm

Efficacy:

86lm/W

L70 Lifespan:

25,000 Hours

Construction

Bulb Shape:

PAR16

Base Type:

E26 Edison

For Use Outdoors in Open Fixtures:

No

LED Characteristics

Color Temperature:

3000K Warm White

Color Accuracy (CRI):

≥90

Electrical

Power Factor:

>0.9

Operating Temperature:

-20°C to 45°C (-4°F to 113°F)

Dimmable:

Yes

Input Voltage:

120V

Flicker:

≤30%

Optical

Beam Angle:

35°

Other

Warranty:

RAB warrants that our LED products will be free from defects in materials and workmanship for a period of five (5) years from the date of delivery to the end user, including coverage of light output, color stability, driver performance and fixture finish. RAB's warranty is subject to all terms and conditions found at rablighting.com/warranty.

Compliance

UL Listed:

Yes

Energy Star Approved:

This product is ENERGY STAR® Version 2.0 Certified

Energy Star ID:

2351513

Technical Specifications (continued)

Model Number for Certification:

P10006

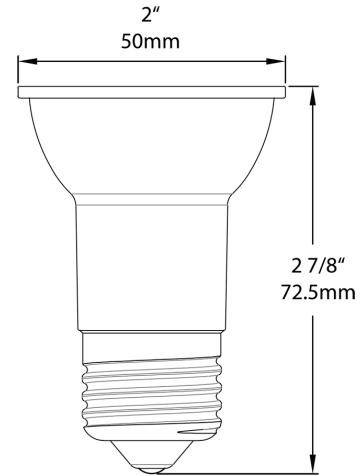
California Energy Commission (CEC) Status:

Lawful for Sales in California

Case and Pallet Dimensions

	QTY	LENGTH (in)	WIDTH (in)	HEIGHT (in)
CASE	12	8.74	6.61	3
PALLET	4320	44.49	40.47	43.94

Dimension



Light Distribution

