

INSTRUCTIONS

PLAYER ONE™ INSTALLATION

RAB®

RAB Lighting is committed to creating high-quality, affordable, well-designed and energy-efficient LED lighting and controls that make it easy for electricians to install and end users to save energy. We'd love to hear your comments. Please call the Marketing Department at 888-RAB-1000 or email: marketing@rablighting.com

** DON'T TOSS IT—RECYCLE IT! MAKE THE SUSTAINABLE CHOICE BY RECYCLING THIS FIXTURE AT END OF LIFE WITH A LICENSED RECYCLING PROVIDER. **



Small / Medium



Large / X-Large

IMPORTANT

READ CAREFULLY BEFORE INSTALLING FIXTURE. RETAIN THESE INSTRUCTIONS FOR FUTURE REFERENCE.

RAB fixtures must be wired in accordance with the National Electrical Code and all applicable local codes. Proper grounding is required for safety. THIS PRODUCT MUST BE INSTALLED IN ACCORDANCE WITH THE APPLICABLE INSTALLATION CODE BY A PERSON FAMILIAR WITH THE CONSTRUCTION AND OPERATION OF THE PRODUCT AND THE HAZARDS INVOLVED.

WARNING: Make certain power is OFF before installing or maintaining fixture. No user serviceable parts inside.

CAUTION: For proper weatherproof function all gaskets must be seated properly and all screws inserted and tightened firmly. Silicone all plugs and unused conduit entries.

- DO NOT make or alter any open holes in the luminaire. Do not modify the luminaire.
- Risk of eye injury! Eye protection is required at all times during the installation, operation, and maintenance of the luminaire.
- The high intensity light produced by the luminaire can cause severe damage to the eye if viewed directly at close range. Avoid being in front of a luminaire that is on or wear suitable light blocking protective eye wear such as welding goggles. The luminaire should be positioned so that prolonged staring into the luminaire at a distance closer than 33 feet is not expected.
- NEVER point the aiming laser at any person or animal as it can cause permanent damage to eyes. Use laser only for aiming fixtures as directed.
- CAUTION - RISK OF FIRE.
- This product is not available for several special environments, such as places with corrosive gas liquids or high pressure water vapor.
- This luminaire is designed to operate in ambient temperatures ranging from -40°C to 50°C (-40°F to 122°F).

CAUTION WHEN USING THE LASER AIMING ASSEMBLY, NEVER LOOK DIRECTLY INTO THE LASER BEAM (sold separately).

INSTRUCTIONS

PLAYER ONE™ INSTALLATION



RAB Lighting is committed to creating high-quality, affordable, well-designed and energy-efficient LED lighting and controls that make it easy for electricians to install and end users to save energy. We'd love to hear your comments. Please call the Marketing Department at 888-RAB-1000 or email: marketing@rablighting.com

**** DON'T TOSS IT—RECYCLE IT! MAKE THE SUSTAINABLE CHOICE BY RECYCLING THIS FIXTURE AT END OF LIFE WITH A LICENSED RECYCLING PROVIDER. ****

POWER BOX MOUNTING PLATE

1. Mount **Power Box Mounting Plate** and securely fasten with included hardware (*Fig. 1*).
2. Align the center hole of the **Horizontal Aiming Protractor** and the **Mounting Bracket** (*Fig. 2*), attach the **Horizontal Aiming Protractor** to the **Mounting Bracket**.
3. Secure **Visor** on fixture with (3) **PM5*8-SS Screws** (*provided*) as shown in *Fig. 2*.
4. Optional **laser for aiming**, loosen (2) **CM4*25 Screws** from **Aiming Laser Assembly** (*sold separately*); attach the **Assembly** in the **Keyhole Slots** and tighten (2) **Screws** (*Fig. 3*).
5. Set fixture in place and install **3/4" Bolt, Flat Washers, Spring Washer and Nut** to securely fasten the fixture **Mounting Bracket** to the mounting structure. A secondary position **Locking Bolt** (*3/8" diameter corrosion resistant steel bolt with nut, flat washer and locking washer*) shall be used to lock the position. **Do not fully tighten the hardware until the fixture is aimed** (*Fig. 2*).
6. Attach the **Power Box** to the **Mounting Plate** with (4) **CM6*18 Screws** (*Fig. 4*). Complete the wiring according to the wiring diagram with the water proof terminal.
7. After aiming is complete, tighten all **Bolts and Screws** on side of fixture and mounting hardware.

Fig: 1

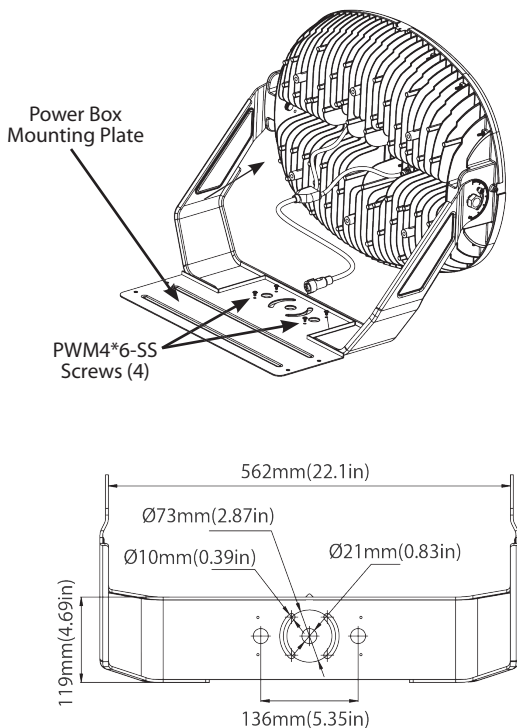


Fig: 2

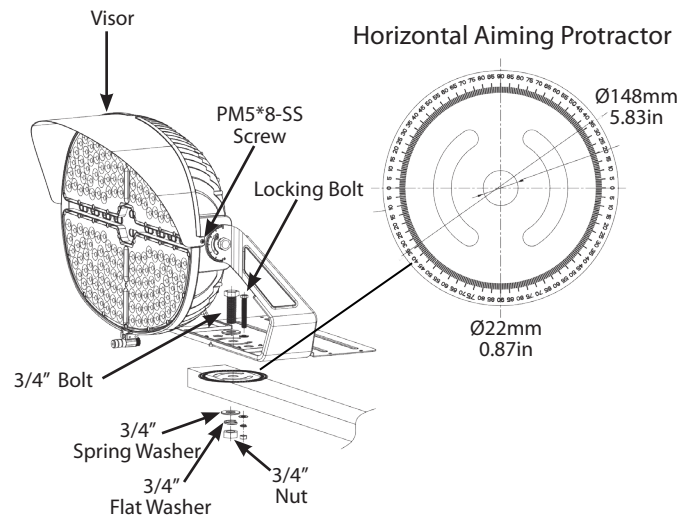


Fig: 3

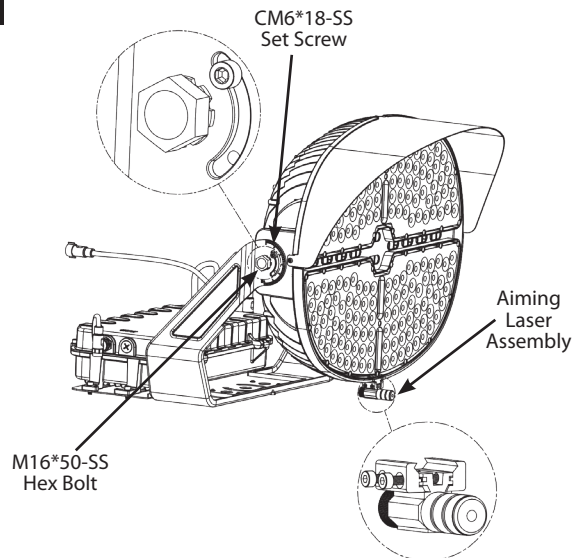
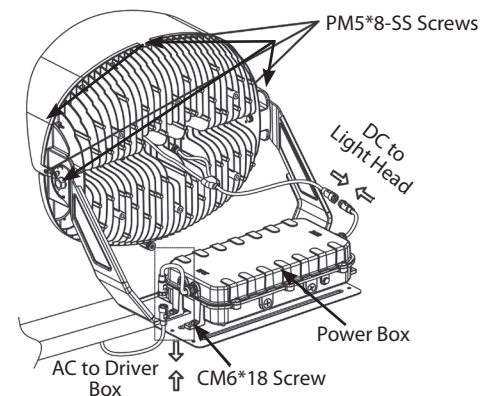


Fig: 4



INSTRUCTIONS

PLAYER ONE™ INSTALLATION



RAB Lighting is committed to creating high-quality, affordable, well-designed and energy-efficient LED lighting and controls that make it easy for electricians to install and end users to save energy. We'd love to hear your comments. Please call the Marketing Department at 888-RAB-1000 or email: marketing@rablighting.com

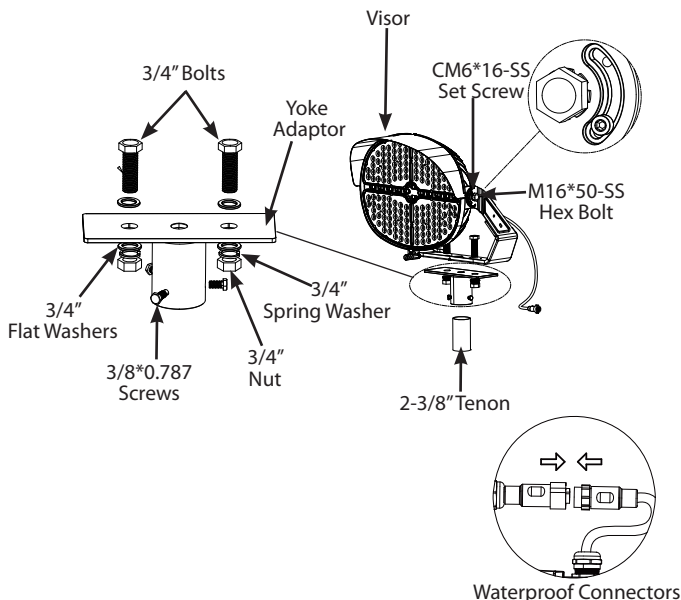
**** DON'T TOSS IT—RECYCLE IT! MAKE THE SUSTAINABLE CHOICE BY RECYCLING THIS FIXTURE AT END OF LIFE WITH A LICENSED RECYCLING PROVIDER. ****

SLIPFITTER ADAPTOR

Slipfitter Adaptor is sold separately (P1SF).

1. Secure the **Visor** to the fixture using (3) **PM5*8-SS Screws** (torque: 30-45 in-lbf or 3.5 to 5 N-m) as shown in Fig. 5.
2. Align the center hole of the **Horizontal Aiming Protractor** with the **Mounting Bracket**, then attach the **Horizontal Aiming Protractor** to the **Bracket**.
3. Loosen the (2) **CM4*25 Screws** from the **Aiming Assembly** (sold separately), and attach the **Aiming Assembly** (sold separately) in the **Keyhole Slots** and tighten the (2) **Screws** to a torque of 30-45 in-lbf (3.5 to 5 N-m).
4. Secure the **Slipfitter Adapter** onto the **Mounting Bracket** with (2) **3/4-inch Bolts**, **Spring Washer**, and **Nut** tightening to 35-45 ft-lbf (47 to 60 N-m). Then snap the pole into the **2-3/8 inch Tenon** and lock it in place using (3) **3/8 x 0.787-inch Screws** tightened to 10-15 ft-lbf (14 to 18 N-m). Ensure the wiring is completed according to the wiring diagram, observing proper voltage and polarity. Use **Waterproof Connectors**, tighten the **Screws** and ensure a secure waterproof condition.
5. Slightly loosen the fixture aiming screws just enough to allow the fixture to rotate and tilt. Turn on the **Laser** and use the **Aiming Assembly** to position the fixture according to the lighting design.
6. Once aiming is complete, tighten all **Bolts** and **Screws** including the **M1650-SS Hex Bolt** (26-33 ft-lbf (35 to 45 N-m) and the **CM616-SS Set Screws** (35-75 in-lbf (4-8 N-m) on the sides of the fixture and mounting hardware.

Fig. 5

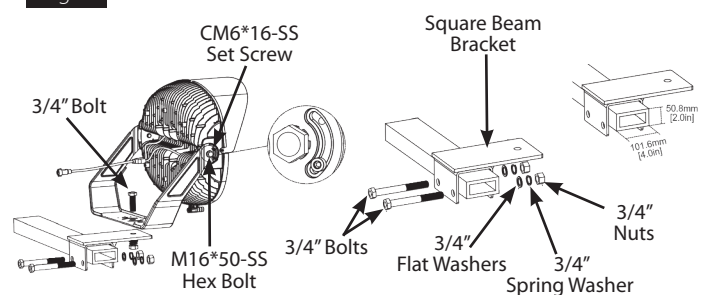


SQUARE BEAM MOUNTING BRACKET

Square Beam Mounting Bracket is sold separately (P1SB).

1. Align the center hole of the **Horizontal Aiming Protractor** with the **Mounting Bracket** then attach the **Horizontal Aiming Protractor** to the **Bracket** (Fig. 6).
2. Loosen the (2) **CM4*25 Screws** from the **Aiming Assembly** (sold separately) and attach the **Aiming Assembly** (sold separately) in the **Key Hole Slots** and tighten (2) **Screws** to a torque of 21-26 in-lbf (2.5 to 3.0 N-m).
3. Secure **Visor** on fixture with (3) **PM5*8-SS Screws** (21-26 in-lbf (2.5 to 3.0 N-m).
4. Hold **Square Beam Mounting Bracket** on top of **Cross Arm** (by others). Insert both clamping **Hex Bolts** through **Washer**, **Bracket**, other side of **Bracket**, lock **Washer** and **Hex Bolt** (35-45 ft-lbf (47 to 60 N-m).
5. Set fixture in place and install **Bolt**, **Flat Washer**, **Spring Washer** and **Nut** to securely fasten the fixture **Mounting Bracket** to the **Square Beam Mounting Bracket** (35-45 ft-lbf (47 to 60 N-m). A secondary 3/8 inch diameter corrosion resistant steel **Bolt** with **Nut**, **Flat Washer** and **Locking Washer** shall be used to lock the orient (15-20ft-lbf (20-30 N-m). **Do not fully tighten the hardware until the fixture is aiming, just make sure the fixture is secure.**
6. Observing proper voltage and polarity, complete the wiring according to the wiring diagram with the **Waterproof Connectors**, tighten the **Screw**, make sure it on a good water proof conditions.
7. Slightly loosen the fixture aiming screws just enough to allow the fixture to rotate and tilt. Turn on the **Laser** and using **Aiming Assembly** to aim the fixture to the proper point may according to the lighting design.
8. After aiming is complete, tighten all **Bolts** and **Screws** including **M16*50-SS Hex Bolt** (26-33 ft-lbf (35 to 45 N-m) and **CM6*16-SS Set Screws** (35-75 in-lbs or 4-8 N-m) located on the side of the fixture, along with the mounting hardware.

Fig. 6



INSTRUCTIONS

PLAYER ONE™ INSTALLATION

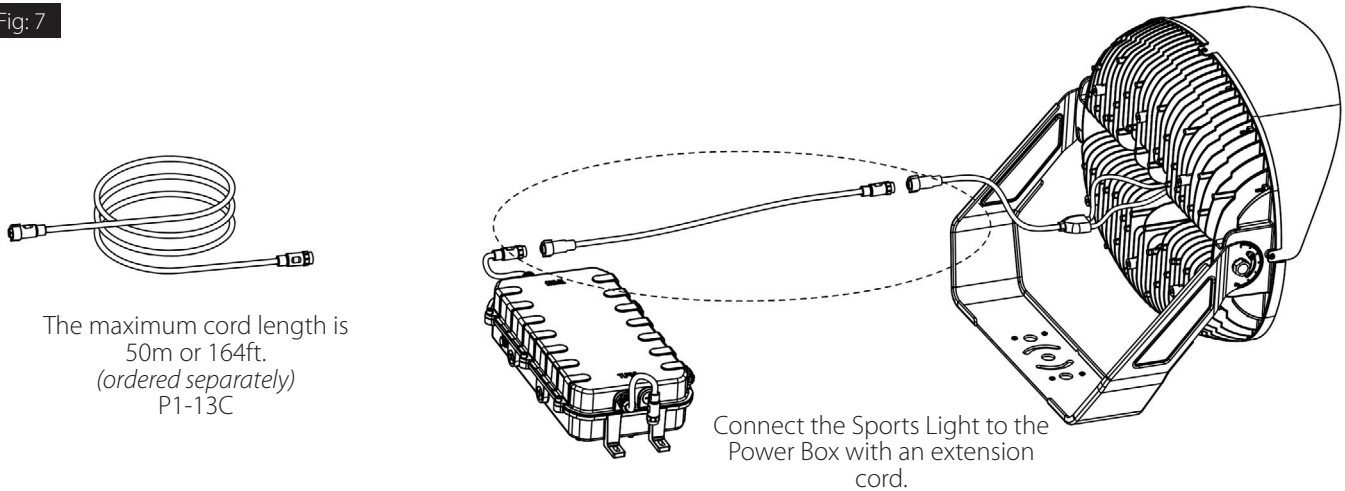


RAB Lighting is committed to creating high-quality, affordable, well-designed and energy-efficient LED lighting and controls that make it easy for electricians to install and end users to save energy. We'd love to hear your comments. Please call the Marketing Department at 888-RAB-1000 or email: marketing@rablighting.com

**** DON'T TOSS IT—RECYCLE IT! MAKE THE SUSTAINABLE CHOICE BY RECYCLING THIS FIXTURE AT END OF LIFE WITH A LICENSED RECYCLING PROVIDER. ****

REMOTE POWER BOX

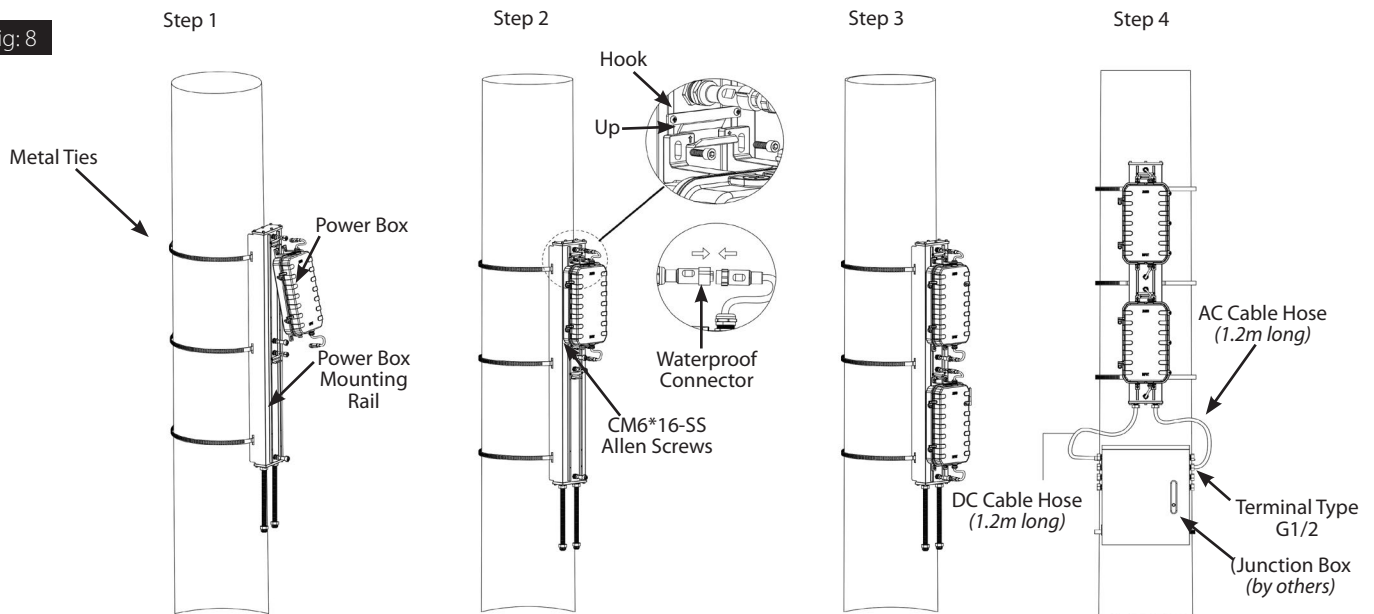
Fig. 7



MOUNTING A

1. Secure **Power Box Mounting Rail** to the light Pole using 3 metal cable ties (*by others*) see Fig. 8.
2. Hang the **Power Box** on **Hook** on the **Mounting Rail** (*note the arrow direction is facing up*). Secure the Power Box to the Mounting Rail with (4) CM6*16-SS Allen Screws. Connect the input **Waterproof Connector** and the output **Waterproof Connector** respectively.
3. The **Power Box Mounting Rail** receives AC power up from the **Junction Box** (*by others*) and outputs DC Power that is fed back down into the **Junction Box**.
4. The **Power Box Mounting Rail** AC and DC cables will be through 42 inch metal conduit with fittings and terminated directly to the **Junction Box** (*by others*).

Fig. 8



INSTRUCTIONS

PLAYER ONE™ INSTALLATION



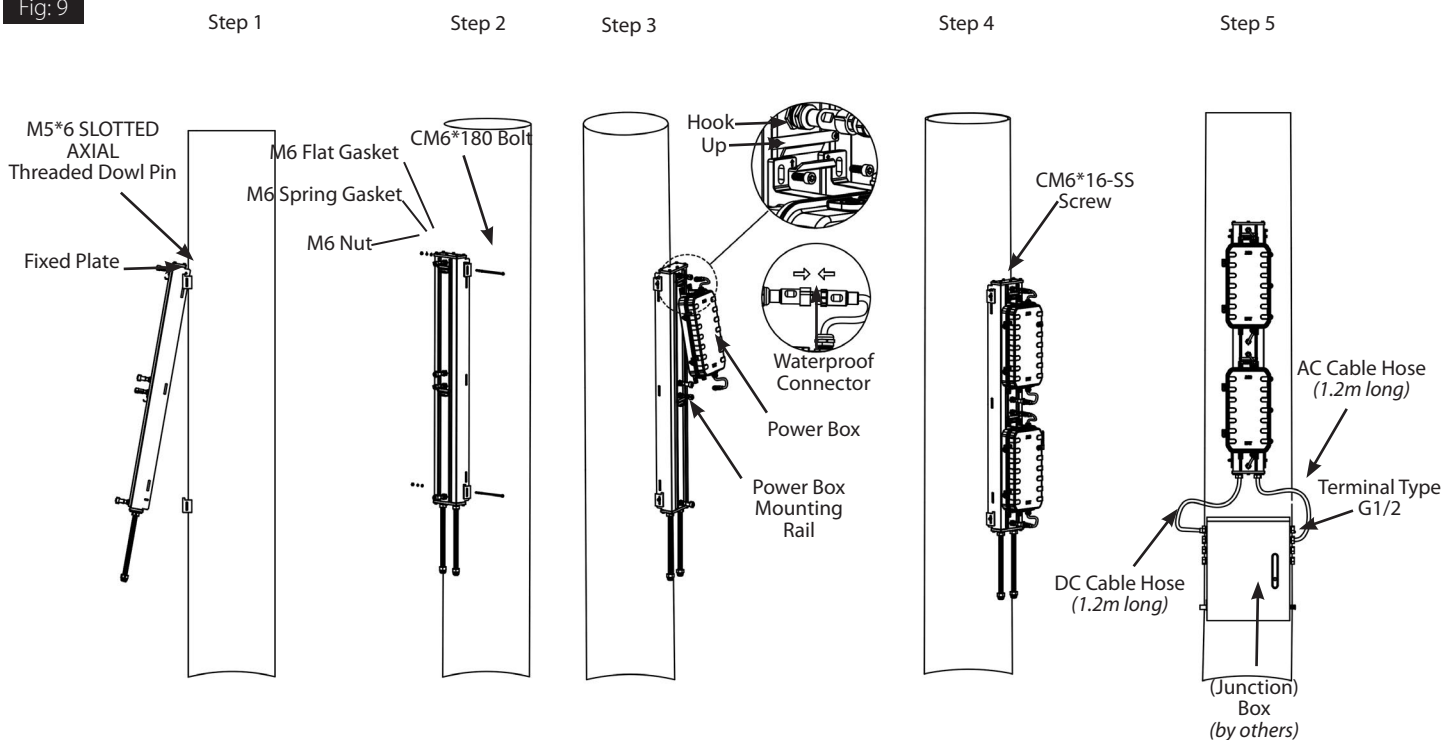
RAB Lighting is committed to creating high-quality, affordable, well-designed and energy-efficient LED lighting and controls that make it easy for electricians to install and end users to save energy. We'd love to hear your comments. Please call the Marketing Department at 888-RAB-1000 or email: marketing@rablighting.com

** DON'T TOSS IT—RECYCLE IT! MAKE THE SUSTAINABLE CHOICE BY RECYCLING THIS FIXTURE AT END OF LIFE WITH A LICENSED RECYCLING PROVIDER. **

MOUNTING B

1. Attach the **Power Box Mounting Rail** to the **Fixed Plate** using (2) **M5*6 Dowel Pins** as shown in Fig. 9.
2. Use (2) **CM6*180 Bolts** to secure the **Power Box Mounting Rail**.
3. Hang the **Power Box** on the **Hook** of the **Mounting Rail** (*ensure the arrow is facing upwards*), then tighten the **Screws**. After that, connect the input and output **Waterproof Connectors** respectively.
4. The **Power Box Mounting Rail** receives AC power from the **Junction Box** (*by others*) and outputs DC power, which is then fed back into the **Junction Box** (*by others*).
4. The AC and DC cables of the **Power Box Mounting Rail** will pass through 42 inch metal conduit with fittings and will be directly connected to the **Junction Box** (*by others*).

Fig: 9



INSTRUCTIONS

PLAYER ONE™ INSTALLATION

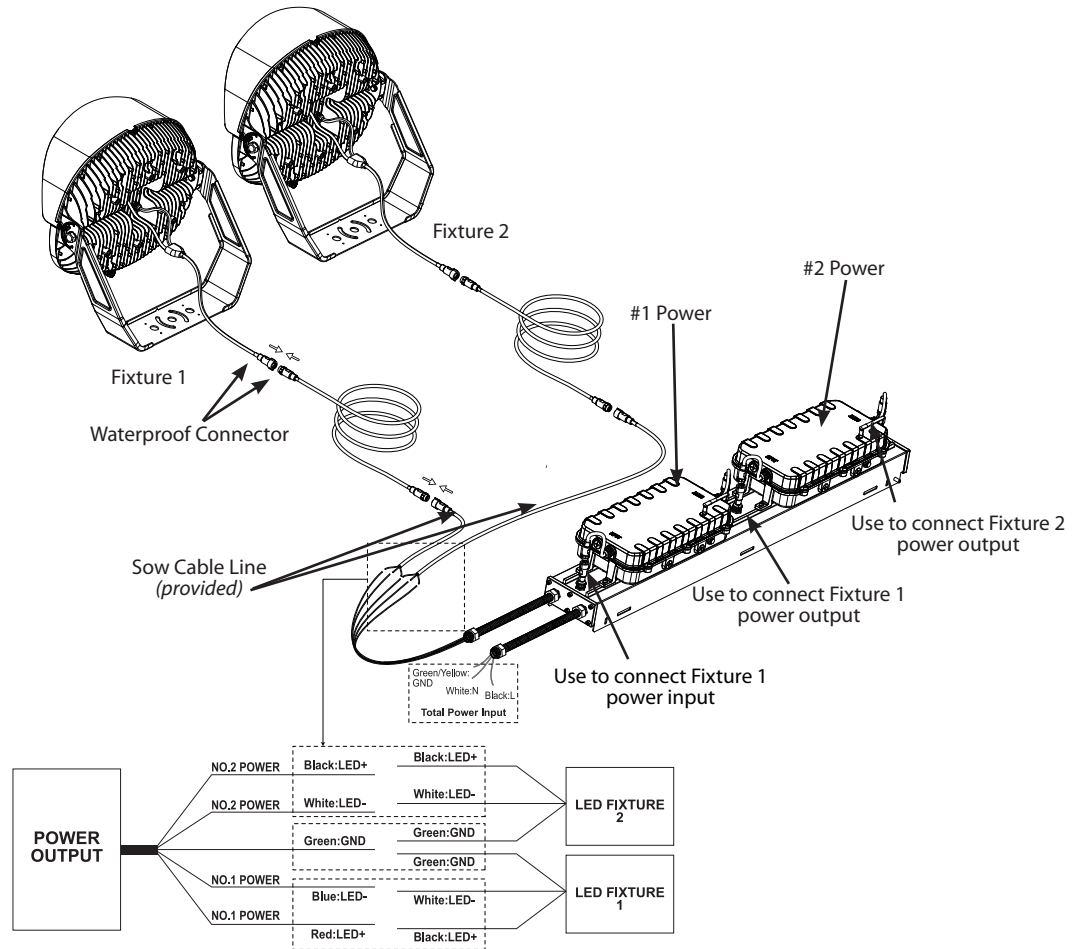


RAB Lighting is committed to creating high-quality, affordable, well-designed and energy-efficient LED lighting and controls that make it easy for electricians to install and end users to save energy. We'd love to hear your comments. Please call the Marketing Department at 888-RAB-1000 or email: marketing@rablighting.com

**** DON'T TOSS IT—RECYCLE IT! MAKE THE SUSTAINABLE CHOICE BY RECYCLING THIS FIXTURE AT END OF LIFE WITH A LICENSED RECYCLING PROVIDER. ****

REMOTE POWER BOX WIRING

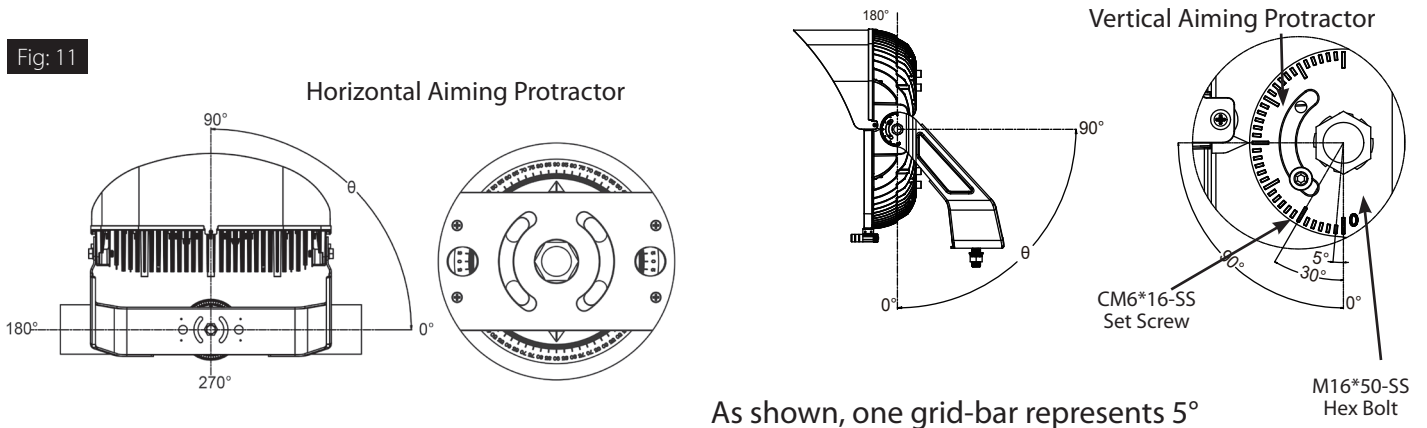
Fig: 10



POSITION - TILT

The Position/Tilt angle refers to the direction of the fixture aiming Left/Right, Up/Down, see Fig. 11.

Fig: 11



INSTRUCTIONS

PLAYER ONE™ INSTALLATION



RAB Lighting is committed to creating high-quality, affordable, well-designed and energy-efficient LED lighting and controls that make it easy for electricians to install and end users to save energy. We'd love to hear your comments. Please call the Marketing Department at 888-RAB-1000 or email: marketing@rablighting.com

**** DON'T TOSS IT—RECYCLE IT! MAKE THE SUSTAINABLE CHOICE BY RECYCLING THIS FIXTURE AT END OF LIFE WITH A LICENSED RECYCLING PROVIDER. ****

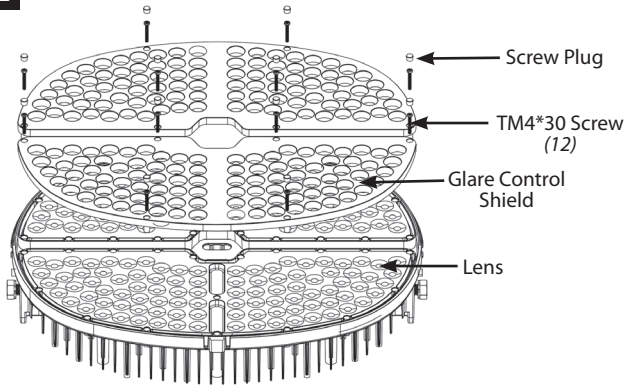
GLARE CONTROL SHIELD

Glare Control Shield is sold separately.

(P1GCS-S-M (Small / Medium), P1GCS-L-XL (Large/X-Large))

1. Remove (12) **Screw Plugs** and (12) **TM4*30 Screws** from Lens as shown in Fig. 12.
2. Secure the **Glare Control Shield** with the (12) **TM4*30 Screws** and replace (12) **Screw Plugs**.



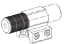

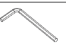












Fig: 12



ACCESSORIES (SOLD SEPARATELY)

- P1-SF - Slipfitter Adaptor
- P1-SB - Square Beam Mounting Bracket
- P1-MR - Power Box Mounting Rail
- P1-13C - Extension Cord (up to 164 feet)
- P1GCS-S-M - Glare Control Shield (Small/Medium)
- P1GCS-L-XL - Glare Control Shield (Large/X-Large)
- P1-LAS - Laser Aiming Sight

ACCESSORY LIST

| Diagram | | Quantity | Diagram | | Quantity |
|--|---|---|--|-------|----------|
| Laser Pointer (Sold separately) | ① Battery  | 1 pc | ⑨ 3/4in Bolt  | | 1 pc |
| | ② Laser aiming assembly  | 1 set (Two parts, aiming head and cover) | ⑩ 3/4in Flat Washers  | | 2 pcs |
| | ③ Hexagon key  | 2 pcs | 3/4in Spring Washer  | | 1 pc |
| ④ PM5*8 screws  | 3 pcs | 3/4in Nut  | | 1 pc | |
| ⑤ CM6*18 screws  | 4 pcs | 3/8in Spring Washer  | | 1 pc | |
| ⑥ PWM4*6 screws  | 4 pcs | 3/8in Nut  | | 1 pc | |
| ⑦ Visor  | 1 pc | 3/8in Bolt  | | 1 pc | |
| ⑧ Horizontal aiming protractor  | 1 pc | 3/8in Flat Washers  | | 2 pcs | |
| SOW Cable Line (300mm with LY-176 M15 Connector) | | |  | | 1 pc |

INSTRUCTIONS

PLAYER ONE™ INSTALLATION



RAB Lighting is committed to creating high-quality, affordable, well-designed and energy-efficient LED lighting and controls that make it easy for electricians to install and end users to save energy. We'd love to hear your comments. Please call the Marketing Department at 888-RAB-1000 or email: marketing@rablighting.com

**** DON'T TOSS IT—RECYCLE IT! MAKE THE SUSTAINABLE CHOICE BY RECYCLING THIS FIXTURE AT END OF LIFE WITH A LICENSED RECYCLING PROVIDER. ****

0-10V DIMMABLE WIRING

Universal voltage driver permits operation at 120V through 277V, 50 or 60 Hz. **P1S, P1M, P1L** ordered with /480 suffix are 480V ONLY. **P1XL/480** is 208V through 480V. For 0-10V dimming follow the wiring directions as shown in Fig. 13.

1. Connect the black fixture lead to the **LINE** supply lead.
2. Connect the white fixture lead to the **COMMON** supply lead.
3. Connect the **GROUND** wire from fixture to supply ground. Do **NOT** connect the **GROUND** of the dimming fixture to the output.
4. Connect the purple fixture lead to the (V+) DIM lead.
5. Connect the pink fixture lead to the (V-) DIM lead.
6. Cap the yellow fixture lead, if present. Do **NOT** connect.

TROUBLESHOOTING

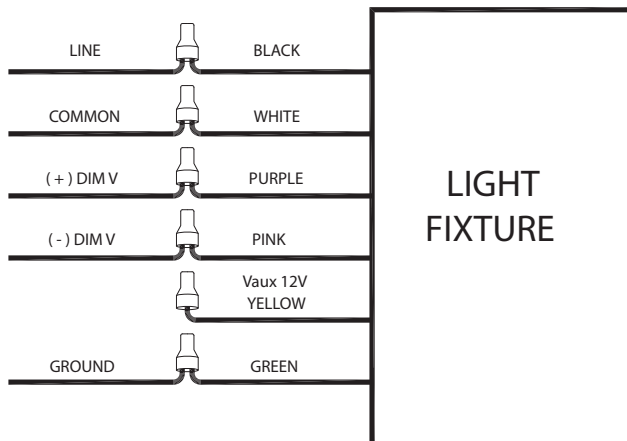
1. Check that the line voltage at the fixture is correct. Refer to wiring directions.
2. Is the fixture grounded properly?

CLEANING & MAINTENANCE

CAUTION: Be sure fixture temperature is cool enough to touch. Do not clean or maintain while fixture is energized.

1. Clean lens with non-abrasive cleaning solution.
2. Do not open fixture to clean the LED. Do not touch the LED.

Fig: 13



Note: These instructions do not cover all details or variations in equipment nor do they provide for every possible situation during installation, operation or maintenance.

INSTRUCTIONS

PLAYER ONE™ INSTALLATION



RAB Lighting is committed to creating high-quality, affordable, well-designed and energy-efficient LED lighting and controls that make it easy for electricians to install and end users to save energy. We'd love to hear your comments. Please call the Marketing Department at 888-RAB-1000 or email: marketing@rablighting.com

**** DON'T TOSS IT—RECYCLE IT! MAKE THE SUSTAINABLE CHOICE BY RECYCLING THIS FIXTURE AT END OF LIFE WITH A LICENSED RECYCLING PROVIDER. ****

LIGHTCLOUD® BLUE

Lightcloud Blue is a Bluetooth mesh wireless lighting control system that allows you to control various compatible devices. With RAB's patented Rapid Provisioning technology, devices can be quickly and easily commissioned for residential and large commercial applications using the Lightcloud Blue mobile app.

Each device in a system can communicate with any other device, eliminating the need for a Gateway or Hub and maximizing the control system's reach.

Lightcloud Blue devices should be placed within the specified range to communicate within the Bluetooth Mesh network. Up to 60 feet between standard building materials.

Reset to Factory Settings: To enable pairing or reset the device, locate the device identification button at the top of the Controller under the Lightcloud logo. Press and hold this button for 10 seconds or until the indicator light begins flashing red and the fixture will flash on/off 3 times.

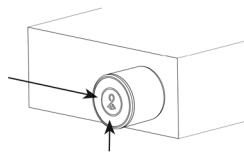
LED Indicators:

Blinking Red = Looking for a network

Solid Green = Connected to network

DEVICE IDENTIFICATION BUTTON

- Press once to rapid identify this device in the Lightcloud Blue Application when provisioned
- Press twice to toggle circuit on and off
- Press twice and hold to set dim level
- Press and hold for 10s to reset the device to factory settings and into pairing mode



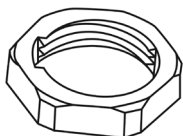
STATUS INDICATOR

Solid GREEN when connected to your Lightcloud Blue network.
Blinking RED when unprovisioned.

ASSEMBLY

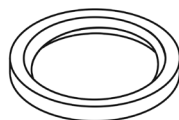
Below accessories are installed on this fixture and should not be removed.

NPT Nut



(Outside)

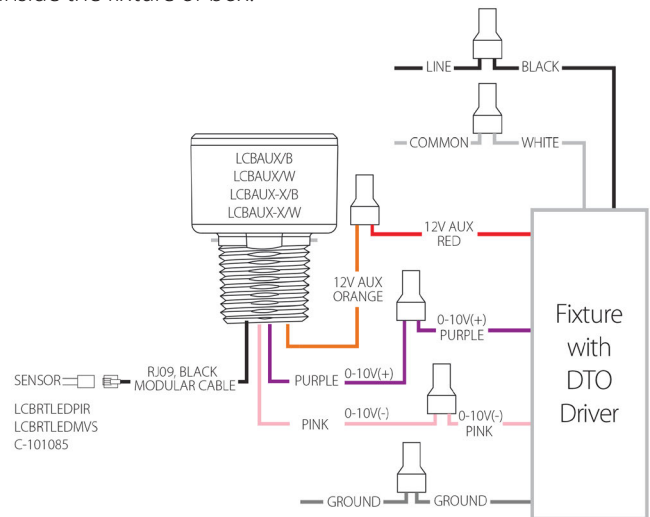
Rubber O-Ring



(Inside)

WIRING

Lightcloud Blue Low Voltage Controller is compatible with the Dim to Off 0-10V driver with 12V Aux supply, it can be mounted to any 1/2" NPT knockout hole on the fixture or junction box, with the radio module always outside any metal enclosure. If no sensor is used, then the RJ09 cable can be tied off and placed inside the fixture or box.



LIGHTCLOUD® BLUE SENSORS

Sensors are integrated at the factory and operate in Occupancy mode in their Uncommissioned State. Once paired to the Lightcloud Blue mobile app, the sensor will be disabled. Sensor Settings can be adjusted after being moved into an Area in the Lightcloud Blue mobile app. Once the sensor is enabled in the mobile app, the sensor will respond based on Commissioned State factory settings.

Factory Settings: Uncommissioned State

- Sensor Status: Enabled
- Motion Sensitivity: High
- Brightness when triggered: 100%
- Hold time: 20 Minute
- Daylight harvesting: Disabled

Factory Settings: Commissioned State

- Sensor Status: Disabled.
- Motion Sensitivity: High
- Brightness when triggered: Last on status
- Hold time: 20 Minute
- When vacant: Off
- Daylight harvesting: Disabled

INSTRUCTIONS


PLAYER ONE™ INSTALLATION



RAB Lighting is committed to creating high-quality, affordable, well-designed and energy-efficient LED lighting and controls that make it easy for electricians to install and end users to save energy. We'd love to hear your comments. Please call the Marketing Department at 888-RAB-1000 or email: marketing@rablighting.com

**** DON'T TOSS IT—RECYCLE IT! MAKE THE SUSTAINABLE CHOICE BY RECYCLING THIS FIXTURE AT END OF LIFE WITH A LICENSED RECYCLING PROVIDER. ****

CONTROLLING LIGHTCLOUD® BLUE DEVICE

1. Confirm your device is powered on.
2. Download the Lightcloud Blue app from the Apple® App store or Google Play™ store.
3. Launch the App and create an account or login.
4. Tap the “add device” icon in the app to start connecting  devices.
5. Select the fixture in the app and move it to an Area with other Lightcloud Blue lights.
6. You're all set!



Check out the Lightcloud Blue Mobile App User Guide for more information on how to maximize your system

CONFIGURATION

To configure the Lightcloud Blue please login to the Lightcloud Blue app for details. For additional startup information, visit www.lightcloud.com/item/lcb-getting-started/



© 2025 RAB LIGHTING Inc.

PLAYER-ONE - IN -0925

P-101502

Easy Answers

rablighting.com
Visit our website for product info

Tech Help Line
Call our experts: 888 722-1000

e-mail
Answered promptly - sales@rablighting.com

Free Lighting Layouts
Answered online or by request

RAB WARRANTY: RAB's warranty is subject to all terms and conditions found at rablighting.com/warranty.