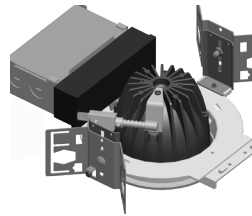


INSTRUCTIONS

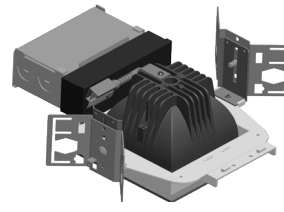
NDLED6 INSTALLATION



RAB Lighting is committed to creating high-quality, affordable, well-designed and energy-efficient LED lighting and controls that make it easy for electricians to install and end users to save energy. We'd love to hear your comments. Please call the Marketing Department at 888-RAB-1000 or email: marketing@rablighting.com



NDLED6R
Cut-Out Diameter: 7"



NDLED6S
Cut-Out: 7"x7"

IMPORTANT

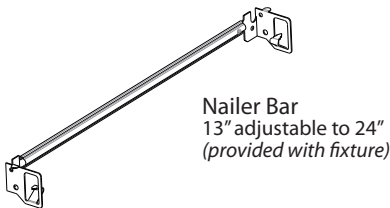
READ CAREFULLY BEFORE INSTALLING FIXTURE. RETAIN THESE INSTRUCTIONS FOR FUTURE REFERENCE.

RAB fixtures must be wired in accordance with the National Electrical Code and all applicable local codes. Proper grounding is required for safety. THIS PRODUCT MUST BE INSTALLED IN ACCORDANCE WITH THE APPLICABLE INSTALLATION CODE BY A PERSON FAMILIAR WITH THE CONSTRUCTION AND OPERATION OF THE PRODUCT AND THE HAZARDS INVOLVED.

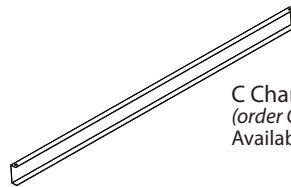
WARNING: Make certain power is OFF before installing or maintaining fixture. No user serviceable parts inside.

CAUTION: For proper weatherproof function all gaskets must be seated properly and all screws inserted and tightened firmly. Apply weatherproof silicone sealant around the edge of the ceiling mounting box and/or junction box. This is especially important with an uneven ceiling surface. Silicone all plugs and unused conduit entries.

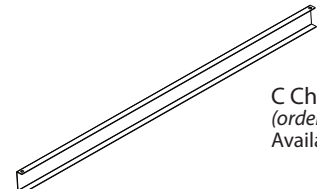
MOUNTING BARS



Nailer Bar
13" adjustable to 24"
(provided with fixture)



C Channel-27"
(order Cat #: C-Chan 27)
Available upon request



C Channel-51"
(order Cat #: C-Chan 51)
Available upon request

ROUGH-IN MOUNTING

1. Nailer bars are provided for use with wood joist installations. Insert through **Nailer Bar Slots** in **Butterfly Brackets** and secure accordingly. C-Channels are optionally available, consult factory. Consult local building codes for final support of fixture.
2. Remove appropriate **Knock out** on Junction box. Press **Clip** to open the **Junction Box**.
3. Feed the supply wires through **Knock out** hole and connect to the driver. See wiring section for details.
4. The fixture can be adjusted to different heights above the ceiling surface (*max ceiling thickness is 1"*). For height adjustment, loosen the **Wing Nut** and slide the **Butterfly Bracket**. If necessary remove the **Wing Nut** and insert in screw in different hole provided on the **Butterfly Bracket**. (Fig: 2)
5. Adjust both the **Butterfly Brackets** such that the frame of **Rough-In Section** is flush with the finished ceiling surface. Tighten the **Wing nuts**.

Fig. 1

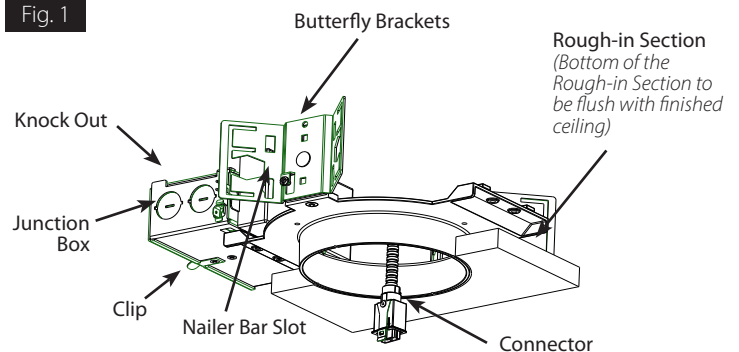
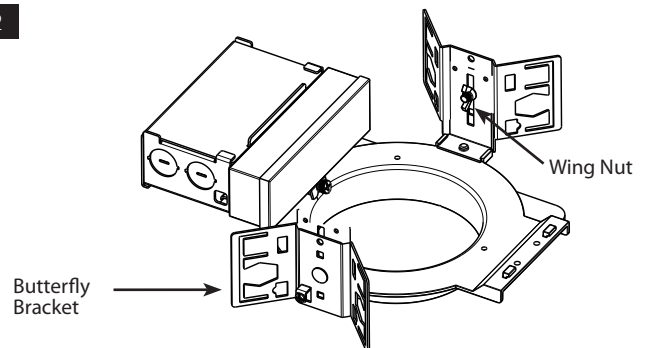


Fig. 2



INSTRUCTIONS

NDLED6 INSTALLATION

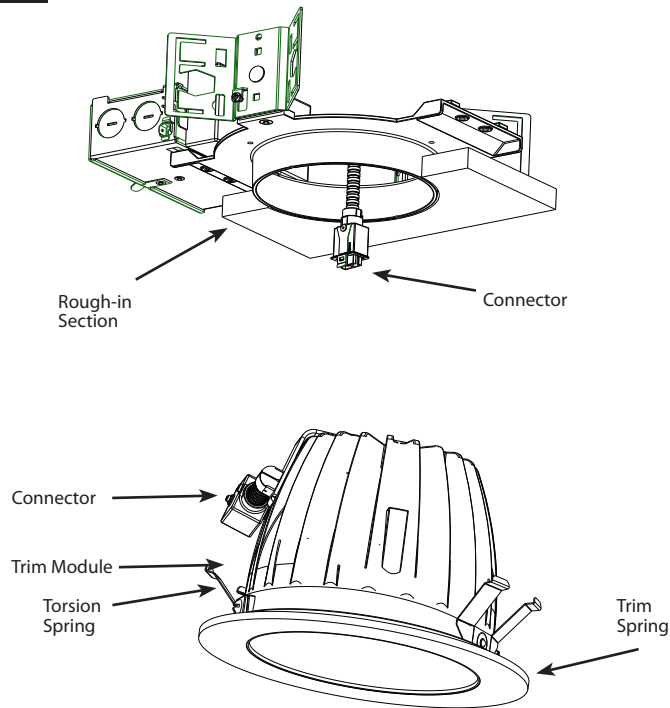


RAB Lighting is committed to creating high-quality, affordable, well-designed and energy-efficient LED lighting and controls that make it easy for electricians to install and end users to save energy. We'd love to hear your comments. Please call the Marketing Department at 888-RAB-1000 or email: marketing@rablighting.com

TRIM MODULE MOUNTING

1. Pull **Connector** conduit through frame opening. Raise **Trim Module** towards opening and connect to **Connector** conduit as shown in Fig 3.
2. Press **Torsion Springs** inward and slide **Trim Module** into frame opening. Release both springs into opening together. **Trim Ring** should flush to ceiling.
3. For the Wallwash Model, orient the fixture such that the reflector is in correct orientation. Look for 'Towards the Wall'; label on the fixture.

Fig. 3



TROUBLESHOOTING

1. Check that the line voltage at the fixture is correct. Refer to wiring directions.
2. Is the fixture grounded properly?
3. For questions on compatibility of dimmers purchased separately refer to www.rablighting.com
4. If the LED is blinking the fixture may be overheating. Remove the Trim assembly and if the fixture is labeled. 'BLINKING LIGHT OF THIS THERMALLY PROTECTED LUMINAIRE MAY INDICATE OVERHEATING' allow the fixture to cool down. Determine cause of overheating and remove. Fixtures with this label have a thermal protector that turns fixture off above a certain temperature. It will automatically restart when cool.

Note: These instructions do not cover all details or variations in equipment nor do they provide for every possible situation during installation, operation or maintenance.

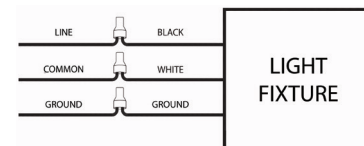
WIRING

RISK OF FIRE. Universal voltage driver permits operation at 120V thru 277V, 50 or 60 Hz.

For Non-Dimming, Electronic Low Voltage (ELV) and Triac Dimming follow the wiring directions in Fig. 4.

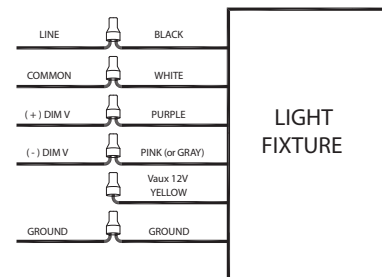
1. Connect the GROUND wire from fixture to supply ground.
2. Connect the black fixture lead to the (+) LINE supply lead.
3. Connect the white fixture lead to the (-) COMMON supply lead.

Fig. 4



For 0-10V dimming (Fig. 5)

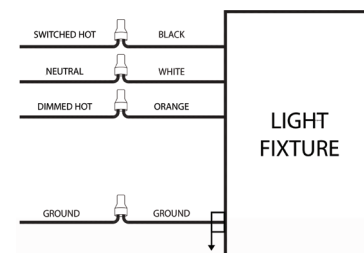
Fig. 5



Lutron L3D Hi-Lume series drivers work with Lutron 3-Wire Control (Fig. 6)

Note: See www.lutron.com for complete instructions and functional compatibility of Lutron drivers with Lutron or other control systems/ dimmers.)

Fig. 6



CLEANING & MAINTENANCE

CAUTION: Be sure fixture temperature is cool enough to touch. Do not clean or maintain while fixture is energized.

1. Do not open fixture to clean the LED. Do not touch the LED.
2. Do not touch reflector, lens or trim cone.
3. Do not clean any fixture surface with wood-base cleaning material such as paper towels or tissues.

INSTRUCTIONS

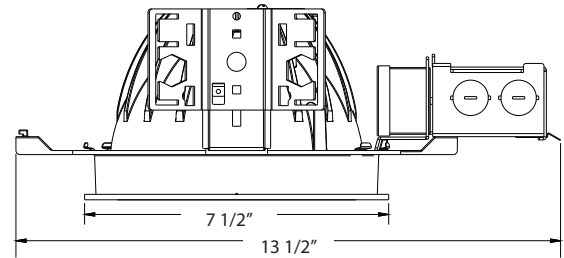
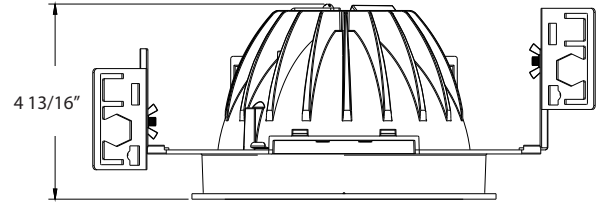
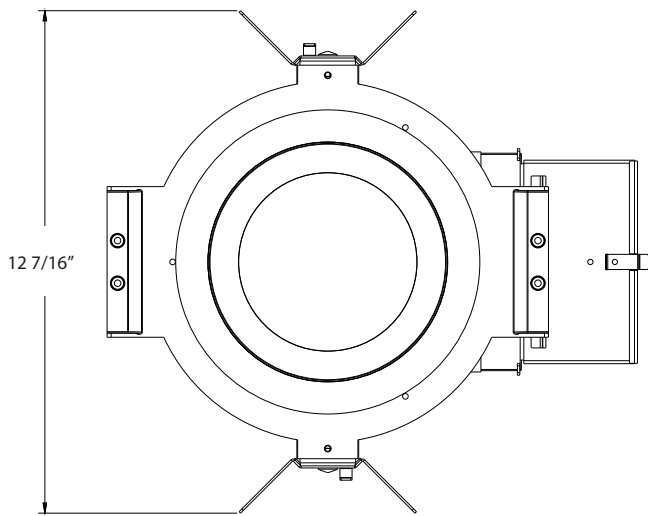
NDLED6 INSTALLATION



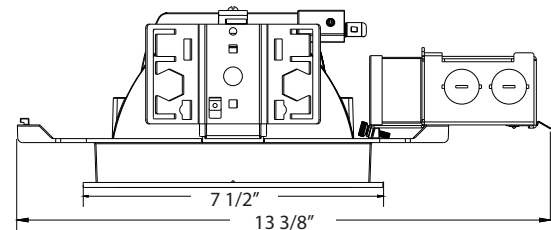
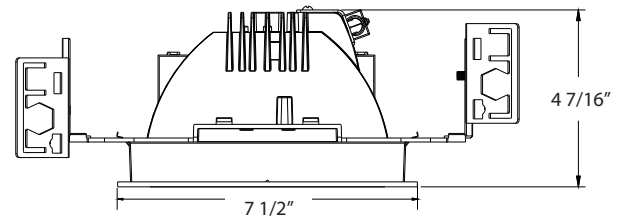
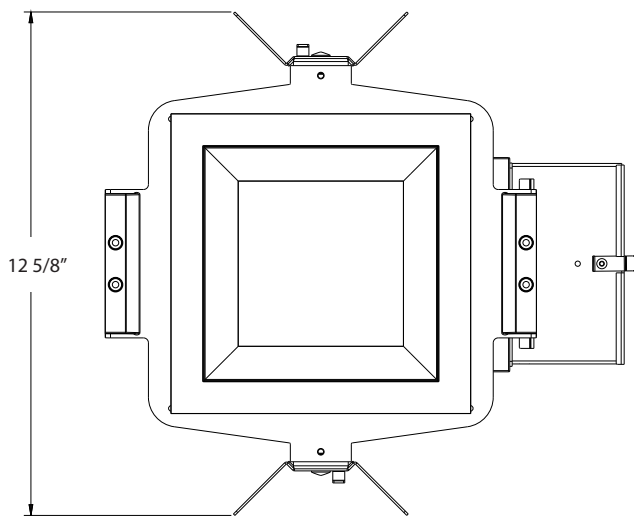
RAB Lighting is committed to creating high-quality, affordable, well-designed and energy-efficient LED lighting and controls that make it easy for electricians to install and end users to save energy. We'd love to hear your comments. Please call the Marketing Department at 888-RAB-1000 or email: marketing@rablighting.com

DIMENSIONAL DRAWINGS

NDLED6R



NDLED6S



Easy Answers

© 2021 RAB LIGHTING Inc.
NDLED6 NEXTGEN IN-1121
73363-RAB

rablighting.com
Visit our website for product info

Tech Help Line
Call our experts: 888 722-1000

e-mail
Answered promptly - sales@rablighting.com

Free Lighting Layouts
Answered online or by request

RAB WARRANTY: RAB's warranty is subject to all terms and conditions found at rablighting.com/warranty **PATENT:** Patent information can be found at rablighting.com/ip