



High-end, new construction LED downlights in 6" make installation a breeze when you're framing out a space from the ground up or when you have access from the top of the ceiling..

Color: Silver trim specular silver cone

Weight: 2.4 lbs

**Project:**

**Type:**

**Prepared By:**

**Date:**

### Driver Info

Type	Sold Separately
120V	N/A
208V	N/A
240V	N/A
277V	N/A
Input Watts	See Rough-in*

### LED Info

Watts	N/A
Color Temp	3000K (Warm)
Color Accuracy	90 CRI
L70 Lifespan	100,000 Hours
Lumens	N/A
Efficacy	N/A

## Technical Specifications

### Compliance

#### UL Listed:

Suitable for wet locations covered ceiling

#### Energy Star Approved:

ENERGY STAR® Version 2.0 Certified

### Construction

#### Trim Component:

This component must be ordered with New Construction Round Rough-In in order to make a complete fixture. [See here for New Construction Round Rough-In.](#)

#### Housing:

Professional-grade, die-cast aluminum construction

#### Trim Ring:

Silver powder coated die cast trim ring

#### Trim Cone:

Specular silver round trim cone

#### Drop Ceiling Installation:

NDLED can be installed in drop ceiling tiles when using optional c-channel bars and following local construction codes

#### Aperture Size:

6" Trim Module

### Easy Installation:

The EZ-Connector makes installation easy

### Junction Box:

Integral junction box with wiring capacity for Min 90°C supply conductors  
4 in 4 out

### Air Tight:

Housing certified Air Tight as per ASTM E283

### Electrical

#### Dimming Driver:

0 - 10V (at 120-277V), TRIAC and ELV (at 120V only).  
[See dimmer compatibility guide here.](#)

#### Dimming:

Dimmable. Requires rough-in with dimming driver.

### Optical

#### Optics:

80° beam spread with specular thermoplastic optics and Nanostructure lens technology for smooth light output and high efficiency

### LED Characteristics

#### Color Consistency:

3-step MacAdam Ellipse binning to achieve consistent fixture-to-fixture color

### Other

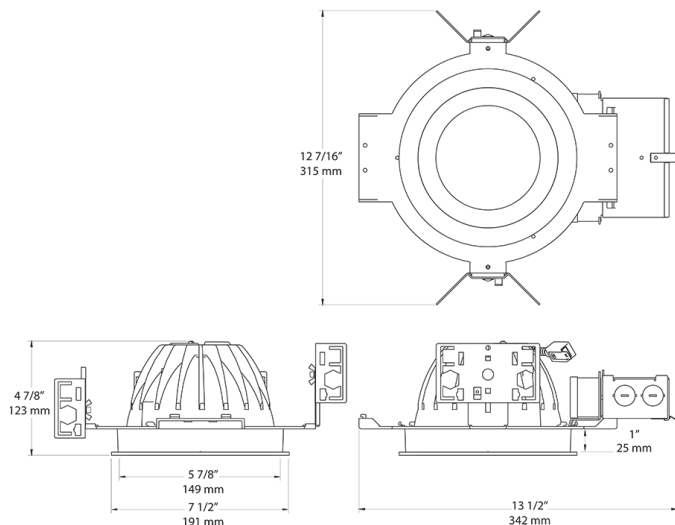
#### Warranty:

RAB warrants that our LED products will be free from defects in materials and workmanship for a period of five (5) years from the date of delivery to the end user, including coverage of light output, color stability, driver performance and fixture finish. RAB's warranty is subject to all terms and conditions found at [rablighting.com/warranty](http://rablighting.com/warranty).

#### Buy American Act Compliance:

RAB values USA manufacturing! Upon request, RAB may be able to manufacture this product to be compliant with the Buy American Act (BAA). Please contact customer service to request a quote for the product to be made BAA compliant.

## Dimensions



## Features

- Butterfly bracket allows mounting with bar stock, "C" channel, 1/2" conduit or nailer bars
- Low-profile design allows for installation in ceilings with limited space
- Absolute White 3-step consistency and black body accurate
- Nanostructure lens eliminates "hot spots" providing smooth and efficient light

## Ordering Matrix

Family	Size	Shape	Driver	Beam Spread	Color Temp	CRI	Cone Color	Trim Color
NDLED	6	R	D	80	Y	HC	S	S
6 = 6"		R = Round	D = Universal Dimming	50 = 50 degrees 80 = 80 degrees W = Wall Washer	YY = 2700K Residential Warm Y = 3000K Warm YN = 3500K Warm Neutral N = 4000K Neutral	Blank = 82 CRI HC = 92 CRI	S = Specular M = Matte Silver W = White B = Black	S = Silver W = White B = Black