

Easy to install 6" rough-in with die-cast aperture ring, removable driver, thermal protector and adjustable butterfly brackets. This rough-in is designed to make new construction recessed downlighting easy.

Weight: 4.8 lbs

<b>Project:</b>	<b>Type:</b>
<b>Prepared By:</b>	<b>Date:</b>

Driver Info		LED Info	
Type	Constant Current	Watts	20W
120V	0.17A	Color Temp	See Trim Module*
208V	0.11A	Color Accuracy	80 CRI
240V	0.10A	L70 Lifespan	N/A
277V	0.09A	Lumens	See Trim Module*
Input Watts	See Trim Module*	Efficacy	See Trim Module*

## Technical Specifications

### Compliance

#### UL Listed:

Suitable for wet locations covered ceiling

#### Energy Star Approved:

ENERGY STAR® Version 2.0 Certified

### Construction

#### IC Rated:

Suitable for direct contact with insulation

#### Housing Component:

This component must be ordered with New Construction Round Trim Module in order to make a complete fixture.

[See here for New Construction Round Trim Module.](#)

#### Insulation Contact (IC):

Allows direct contact with insulation or keep insulation 3" from fixture at all times

#### Ambient Temperature:

Suitable for use in up to 40°C (104°F)

#### Cold Weather Starting:

The minimum starting temperature is -40°C (-40°F)

#### Aperture Size:

6" Rough-In

#### Drop Ceiling Installation:

NDLED can be installed in drop ceiling tiles when using optional c-channel bars and following local construction codes

#### Junction Box:

Integral junction box with wiring capacity for Min 90°C supply conductors  
4 in 4 out

#### Air Tight:

Housing certified Air Tight as per ASTM E283

#### Mounting:

Housing includes nailer bars and butterfly brackets. Brackets also accommodate mounting with 1/4" to 1/2" bar stock, C channel or 1/2" conduit.

#### Easy Installation:

The EZConnector makes installation easy

#### Thermal Protector:

Thermal protector included. Disables power if temperature exceeds safe operation levels.

### Electrical

#### Driver:

ELV, 0-10V and TRIAC Dimming, Constant Current, Class 2, 120V-277V, 50/60Hz, Power Factor 98%, THD ≤ 20%

#### Dimming Driver:

0 - 10V (at 120-277V), TRIAC and ELV (at 120V only).

[See dimmer compatibility guide here.](#)

#### Battery Backup:

Battery backup will operate the LED Lamp for 90 minutes if power fails. Wired for 120V.

### Performance

#### Wattage Equivalency:

Equivalent to 100W PAR

### Other

#### Warranty:

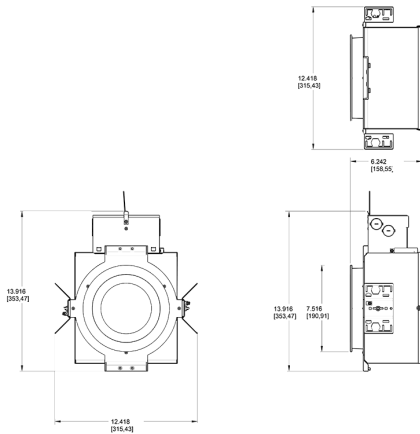
RAB warrants that our LED products will be free from defects in materials and workmanship for a period of five (5) years from the date of delivery to the end user, including coverage of light output, color stability, driver performance and fixture finish. RAB's warranty is subject to all terms and conditions found at [rablighting.com/warranty](http://rablighting.com/warranty).

## Technical Specifications (continued)

### Buy American Act Compliance:

RAB values USA manufacturing! Upon request, RAB may be able to manufacture this product to be compliant with the Buy American Act (BAA). Please contact customer service to request a quote for the product to be made BAA compliant.

## Dimensions



## Features

- Butterfly bracket allows mounting with bar stock, "C" channel, 1/2" conduit or nailer bars
- Low-profile design allows for installation in ceilings with limited space
- Sturdy design with die cast aperture frame

## Ordering Matrix

Family	Type	Size	Shape	Wattage	Driver	Battery Backup	Lightcloud
ND	IC	6	R	20	D	/E2	
	Blank = Standard IC = Insulation Contact	6 = 6"	R = Round	26 = 26W 20 = 20W	D = Universal Dimming	Blank = No Battery Backup /E2 = 120-277V Backup	Blank = No Lightcloud® /LC = Lightcloud® Controller