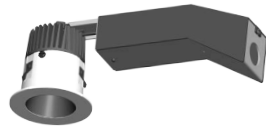


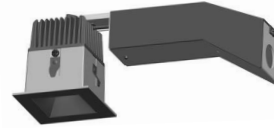
REMODELER & NEW CONSTRUCTION TRIM 2IN 10W ROUND & SQUARE INSTRUCTIONS

RAB®

Thank you for buying RAB lighting fixtures. Our goal is to design the best quality products to get the job done right. We'd like to hear your comments. Call the Marketing Department at 888-RAB-1000 or email: marketing@rablighting.com



RDDLED2R



RDDLED2S

IMPORTANT

READ CAREFULLY BEFORE INSTALLING FIXTURE. RETAIN THESE INSTRUCTIONS FOR FUTURE REFERENCE.

RAB fixtures must be wired in accordance with the National Electrical Code and all applicable local codes. Proper grounding is required for safety. THIS PRODUCT MUST BE INSTALLED IN ACCORDANCE WITH THE APPLICABLE INSTALLATION CODE BY A PERSON FAMILIAR WITH THE CONSTRUCTION AND OPERATION OF THE PRODUCT AND THE HAZARDS INVOLVED.

WARNING: Make certain power is OFF before installing or maintaining fixture.

WARNING: Suitable for wet location with covered ceiling mount.

WARNING: Suitable for installation in Non-Accessible and Accessible Ceilings.

WARNING: Suitable for installation in Non-Insulated Ceilings.

SURFACE PREPARATION

- This fixture can be installed with minimum plenum height of 5".
- The fixture can be used to replace an existing unit or for new construction.
- For both round and square fixture, cutout must be accurate not undersized or oversized. A hole saw is recommended.
CEILING CUT OUT MUST BE FREE OF ANY DEBRIS AND BURRS.

ROUGH-IN MOUNTING FOR ND2RT & ND2ST

For round ceiling cut out 2-1/2" dia. For square ceiling use the 2-1/2" sq cut out template from packaging material.

1. **Nailer bars** are provided for use with wood joist installations. Insert through nailer bar slots and secure accordingly.
2. **Butterfly brackets** provided to use C-Channels. (optionally available, consult factory). Consult local building codes for final support of fixture.
3. The fixture can be adjusted from 1/2" to 1" max ceiling thickness. For height adjustment, loosen the **Wing Nut** and slide the **Butterfly Bracket**. If necessary remove the **Wing Nut** and insert in screw in different hole provided on the **Butterfly Bracket**. (Fig: 1)
4. Adjust both the **Butterfly Brackets** such that the downturn collar of **Rough-In Section** is flush with the finished ceiling surface. Tighten the **Wing nuts**.
5. Drop down **Supply Wire** must be at least 9" long to allow fixture removal.
6. Loosen the **Junction Box Screw** and open the **Junction Box** (Fig.2). Attach **Supply Wires** into **Junction Box** and connect to the fixture. See wiring section for details.
7. Push up and slide the **Junction Box** section into the ceiling. Be sure the **Spring Clips** is snapped in and **Trim Ring** is flush and secure. Allow the Junction Box section of housing to rest on the **Leg** support of the **Rough-in Section**.

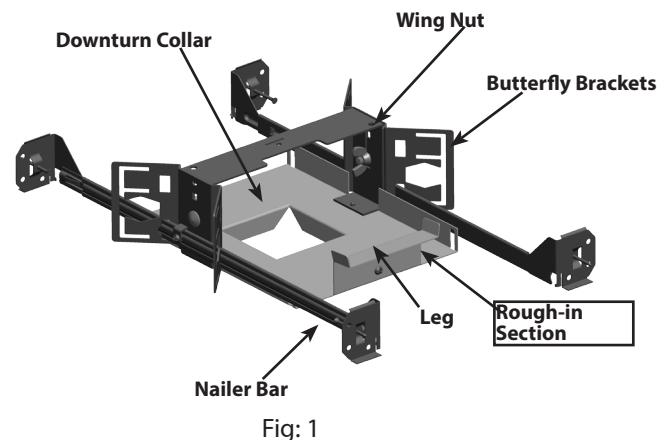


Fig: 1

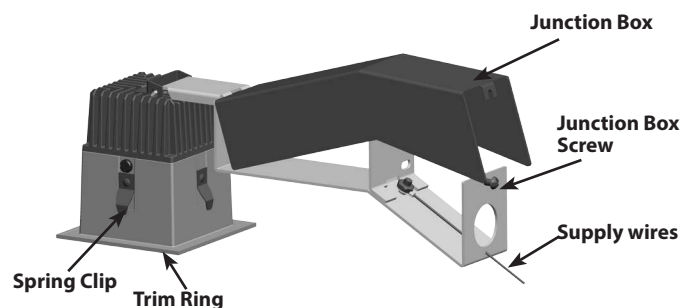


Fig: 2

REMODELER & NEW CONSTRUCTION TRIM 2IN 10W ROUND & SQUARE INSTRUCTIONS

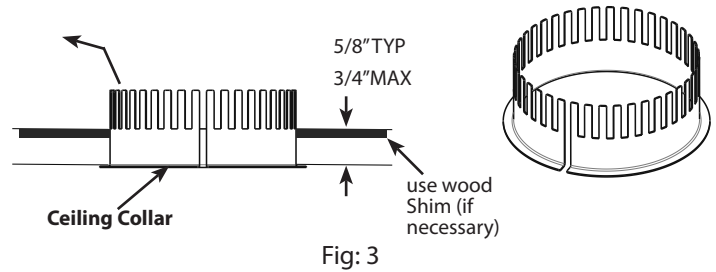


Thank you for buying RAB lighting fixtures. Our goal is to design the best quality products to get the job done right. We'd like to hear your comments. Call the Marketing Department at 888-RAB-1000 or email: marketing@rablighting.com

REMODELER MOUNTING

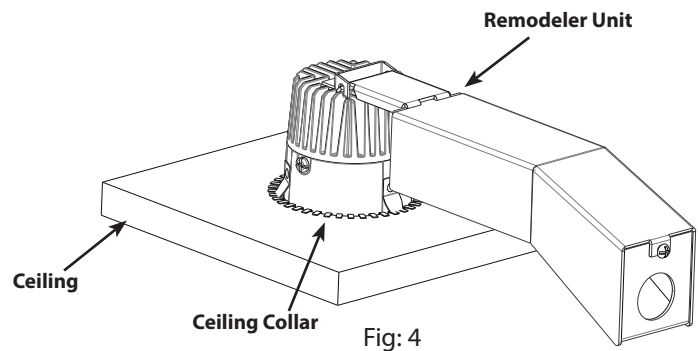
For round ceiling cut out 2-3/8" dia. For square ceiling use the 2-3/8" sq cut out template from packaging material.

1. Install **Ceiling Collar** into opening. Secure Ceiling Collar by pushing fingertabs down tightly over ceiling. Fig. (3)
Note: Ceiling Collar is intended for 5/8"-3/4" sheet rock ceilings. For 1/2" ceiling applications, use 1/8" shim to secure trim module.
2. Loosen the **Junction Box Screw** and open the **Junction Box** (Fig.2). Attach **Supply Wires** into **Junction Box** and connect to the fixture. See wiring section for details.
3. Push up and slide the **Junction Box** section into the **Ceiling Collar**. Be sure the **Spring Clips** are snapped in and **Trim Ring** is flush and secure.



WALLWASH MOUNTING

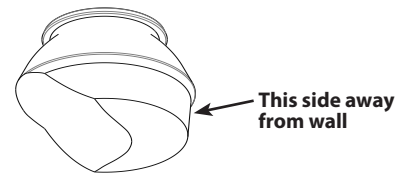
1. For the Wallwash Model, orient the fixture such that the **Lens** such that the **thin section** is aimed in correct orientation.
2. If necessary, rotate of the wall wash lens to orient in certain direction.



WIRING

RISK OF FIRE. Universal voltage driver permits operation at 120V thru 277V, 50 or 60 Hz. Drop down supply wires must be at least 9" long to allow fixture removal. For Non-Dimming (on/off), Electronic Low Voltage (ELV) and Triac Dimming follow the wiring directions in Fig. 6. For 0-10V dimming, Fig. 7.

1. Connect GROUND wire from fixture to supply ground.
2. Connect black fixture lead to the (+) LINE supply lead.
3. Connect white fixture lead to the (-) COMMON supply lead.



Wall Wash lens

Fig: 5

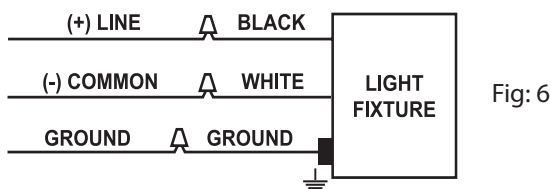


Fig: 6

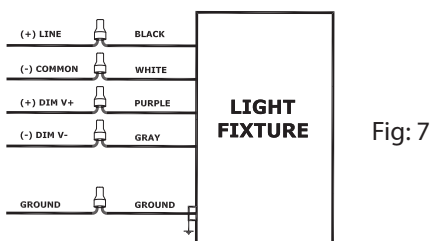


Fig: 7

CLEANING & MAINTENANCE

CAUTION: Be sure fixture temperature is cool enough to touch. Do not clean or maintain while fixture is energized.

1. Do not open fixture to clean the LED. Do not touch the LED.
2. Do not touch reflector, lens or trim cone.
3. Do not clean any fixture surface with wood base cleaning material such as paper towels or tissues.

TROUBLESHOOTING

1. Check that the line voltage at the fixture is correct. Refer to wiring directions.
2. Is the fixture grounded properly?

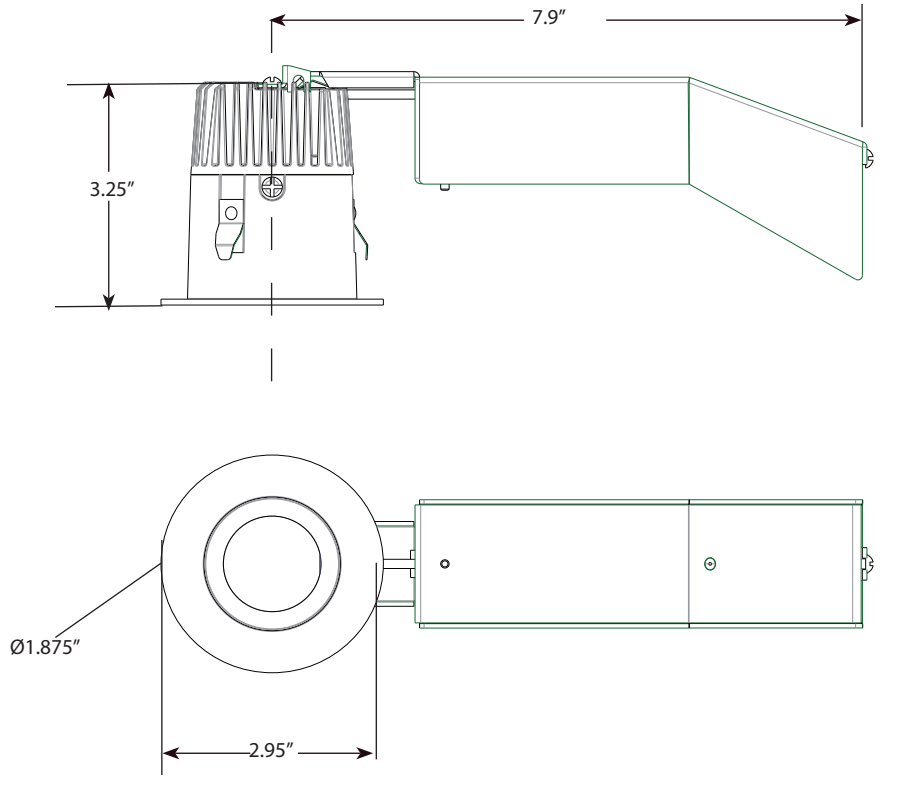
REMODELER & NEW CONSTRUCTION TRIM 2IN 10W ROUND & SQUARE INSTRUCTIONS



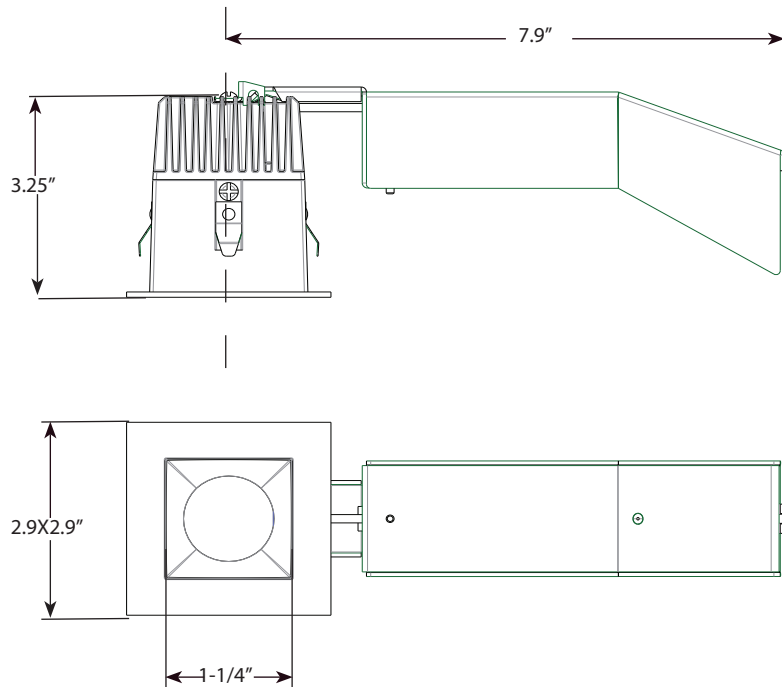
Thank you for buying RAB lighting fixtures. Our goal is to design the best quality products to get the job done right. We'd like to hear your comments. Call the Marketing Department at 888-RAB-1000 or email: marketing@rablighting.com

DIMENSIONAL DRAWING

RDDLED2R



RDDLED2S



Note: These instructions do not cover all details or variations in equipment nor do they provide for every possible situation during installation, operation or maintenance.



Easy Answers

rablighting.com
Visit our website for product info

Tech Help Line
Call our experts: 888 722-1000

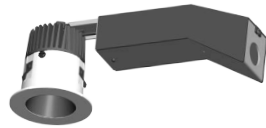
e-mail
Answered promptly - sales@rablighting.com

Free Lighting Layouts
Answered online or by request

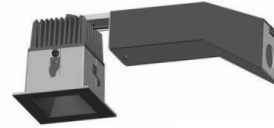
REMODELER & NEW CONSTRUCTION TRIMLESS 2IN 10W ROUND & SQUARE INSTRUCTIONS

RAB®

Thank you for buying RAB lighting fixtures. Our goal is to design the best quality products to get the job done right. We'd like to hear your comments. Call the Marketing Department at 888-RAB-1000 or email: marketing@rablighting.com



RDDLED2R



RDDLED2S

IMPORTANT

READ CAREFULLY BEFORE INSTALLING FIXTURE. RETAIN THESE INSTRUCTIONS FOR FUTURE REFERENCE.

RAB fixtures must be wired in accordance with the National Electrical Code and all applicable local codes. Proper grounding is required for safety. THIS PRODUCT MUST BE INSTALLED IN ACCORDANCE WITH THE APPLICABLE INSTALLATION CODE BY A PERSON FAMILIAR WITH THE CONSTRUCTION AND OPERATION OF THE PRODUCT AND THE HAZARDS INVOLVED.

WARNING: Make certain power is OFF before installing or maintaining fixture.

WARNING: Suitable for wet locations with covered ceiling mount.

WARNING: Suitable for installation in Non-Accessible and Accessible Ceilings.

WARNING: Suitable for installation in Non-Insulated Ceilings.

SURFACE PREPARATION

- This fixture can be installed with minimum plenum height of 5".
- The fixture can be used to replace an existing unit or for new construction.
- Cutout must be accurate not undersized or oversized. A hole saw is recommended. **CEILING CUT OUT MUST BE FREE OF ANY DEBRIS AND BURRS.**

ROUGH-IN MOUNTING FOR ND2RTL & ND2STL

For round ceiling cut out 3-3/16" dia. For square ceiling use the 3-3/16" sq cut out template from packaging material.

1. **Nailer bars** are provided for use with wood joist installations. Insert through nailer bar slots and secure accordingly.
2. **Butterfly brackets** provided to use C-Channels. (optionally available, consult factory). Consult local building codes for final support of fixture.
3. The fixture can be mounted into max 3/4" ceiling thickness. For height adjustment, loosen the **Wing Nut** and slide the **Butterfly Bracket**. If necessary remove the **Wing Nut** and insert in screw in different hole provided on the **Butterfly Bracket**. (Fig: 1)
4. Adjust both the **Butterfly Brackets** such that the frame of **Rough-In Section** is flush with the finished ceiling surface. Tighten the **Wing nuts**.
5. Drop down **Supply Wires** must be at least 9" long to allow fixture removal.
6. Loosen the **Junction Box Screw** and open the **Junction Box** (Fig.2). Attach **Supply Wires** into **Junction Box** and connect to the fixture. See wiring section for details.
7. Push up and slide the **Junction Box** section into the ceiling. Be sure the **Spring Clips** is snapped in and **Trim Ring** is flush and secure. Allow the Junction Box section of housing to rest on the **Leg** support of the **Rough-in Section**.

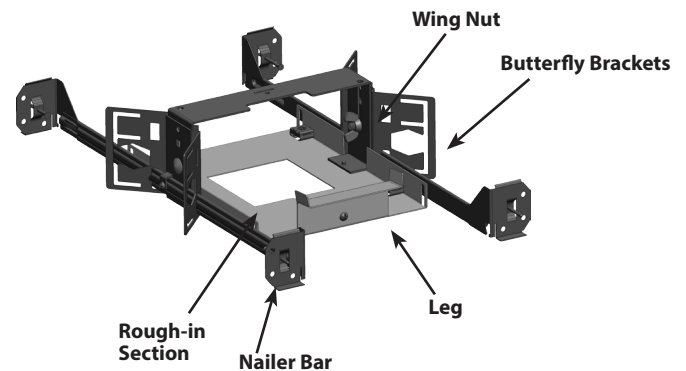


Fig: 1

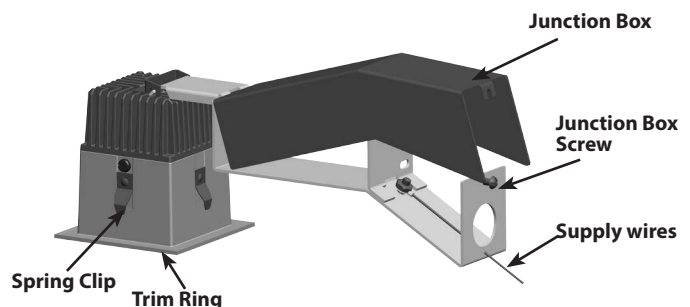


Fig: 2

REMODELER & NEW CONSTRUCTION TRIMLESS 2IN 10W ROUND & SQUARE INSTRUCTIONS



Thank you for buying RAB lighting fixtures. Our goal is to design the best quality products to get the job done right. We'd like to hear your comments. Call the Marketing Department at 888-RAB-1000 or email: marketing@rablighting.com

SPACKLED FLANGE MOUNTING

1. Place **Spackle Flange** on ceiling and align the opening with the ceiling cutout. Carefully mark the (4) hole pattern on ceiling and remove **Spackle Flange**.
2. For New Construction (Fig: 3): Use a 7/32" drill bit to drill ceiling typical 5/8" ceiling depth. Align rib of **Spackle Flange** to rib in **Rough-in**. Insert the **Spackle Flange** and secure with 8-32 x 1-1/2" flat head counter shank machine screws. **NOTE: DO NOT DRILL HOLES DEEPER THAN THE CEILING THICKNESS.**
3. For Remodeler Unit (Fig4): Use 5/16" drill bit and drill ceiling at 4 marked places. Install **Wall Anchors** and secure **Spackled Flange** with 8-32 X 1-1/4" flat head counter shank sheet metal screws.
4. Apply joint compound to spackle frame edge. Remove **Dust protector** and remove small debris and make it flush to ceiling.

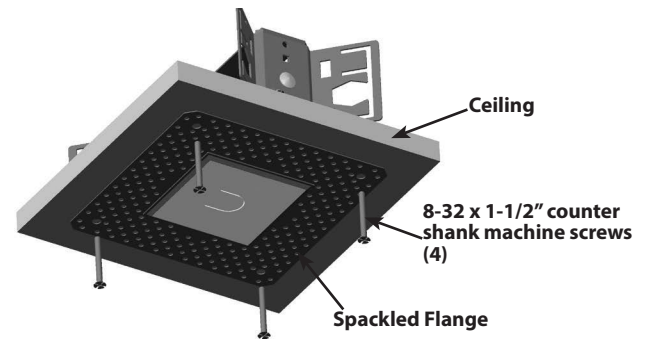


Fig: 3

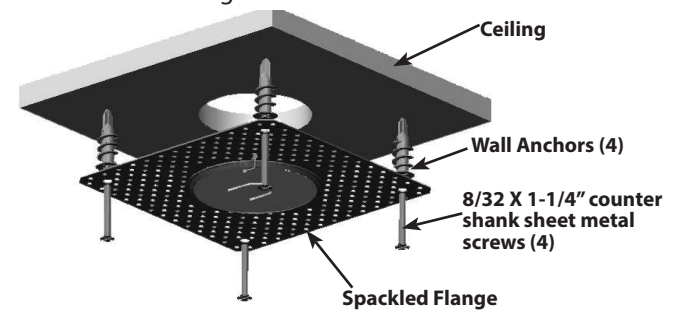


Fig: 4

WALLWASH MOUNTING

1. For the Wallwash Model, orient the fixture such that the **Lens such that the thin section** is aimed in correct orientation.
2. If necessary, rotate of the wall wash lens to orient in certain direction.

WIRING

RISK OF FIRE. Universal voltage driver permits operation at 120V thru 277V, 50 or 60 Hz. Drop down supply wires must be at least 9" long to allow fixture removal. For Non-Dimming (on/off), Electronic Low Voltage (ELV) and Triac Dimming follow the wiring directions in Fig. 6. For 0-10V dimming, Fig. 7.

1. Connect GROUND wire from fixture to supply ground.
2. Connect black fixture lead to the (+) LINE supply lead.
3. Connect white fixture lead to the (-) COMMON supply lead.

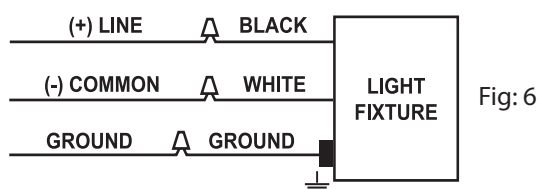


Fig: 6

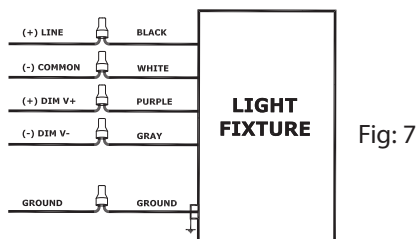
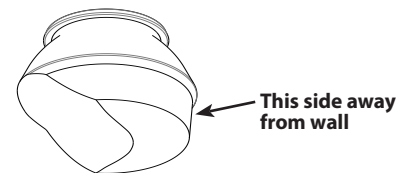


Fig: 7



Wall Wash lens

Fig: 5

CLEANING & MAINTENANCE

CAUTION: Be sure fixture temperature is cool enough to touch. Do not clean or maintain while fixture is energized.

1. Do not open fixture to clean the LED. Do not touch the LED.
2. Do not touch reflector, lens or trim cone.
3. Do not clean any fixture surface with wood base cleaning material such as paper towels or tissues.

TROUBLESHOOTING

1. Check that the line voltage at the fixture is correct. Refer to wiring directions.
2. Is the fixture grounded properly?

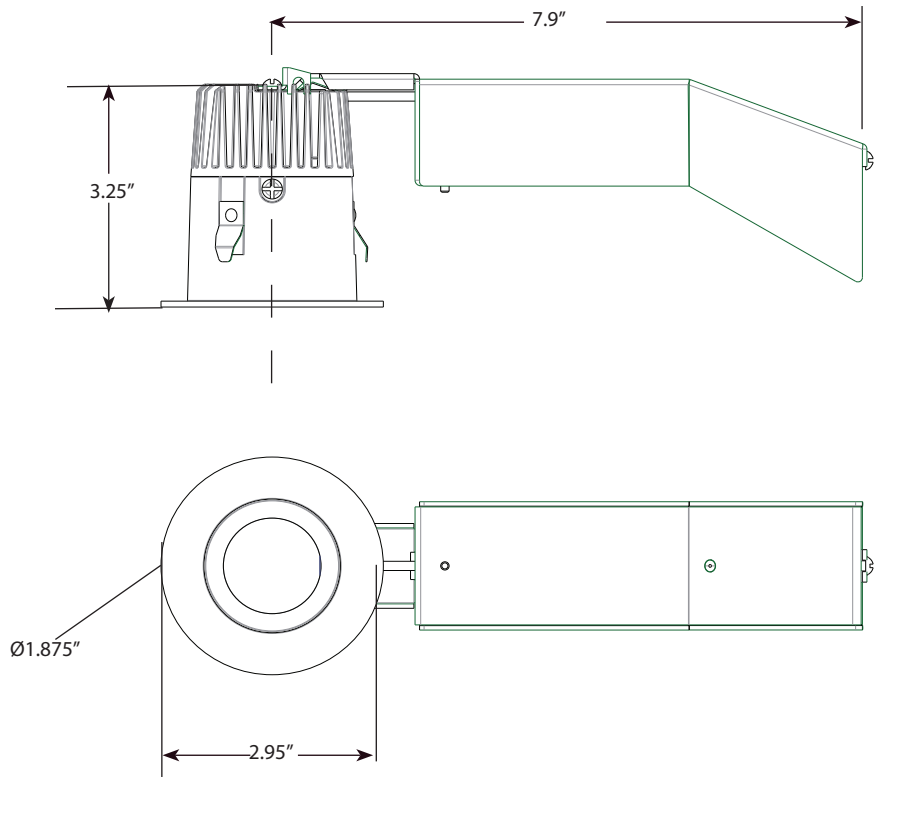
REMODELER & NEW CONSTRUCTION TRIMLESS 2IN 10W ROUND & SQUARE INSTRUCTIONS

RAB[®]

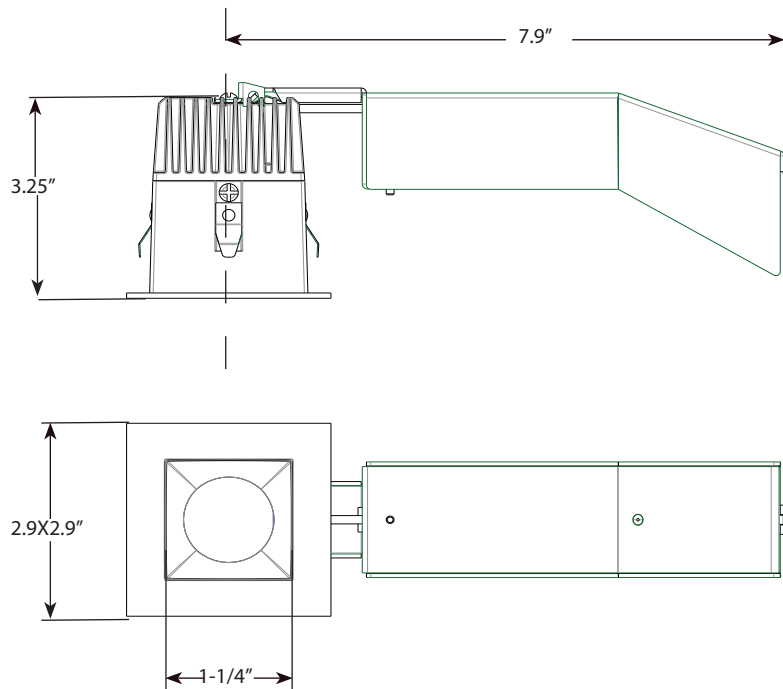
Thank you for buying RAB lighting fixtures. Our goal is to design the best quality products to get the job done right. We'd like to hear your comments. Call the Marketing Department at 888-RAB-1000 or email: marketing@rablighting.com

DIMENSIONAL DRAWING

RDDLED2R



RDDLED2S



Note: These instructions do not cover all details or variations in equipment nor do they provide for every possible situation during installation, operation or maintenance.

RAB[®]
© 2018 RAB LIGHTING Inc.
Northvale, New Jersey 07647 USA

Easy Answers

rablighting.com
Visit our website for product info

Tech Help Line
Call our experts: 888 722-1000

e-mail
Answered promptly - sales@rablighting.com

Free Lighting Layouts
Answered online or by request