

Easy to install 2" new construction deep regress rough-in for use with RDDLED2 trims. The Remodeler Trim component must be ordered with the New Construction Housing in order to make a complete fixture. Available in flush trim for a trimless look without the mess left behind from ceiling finishing work.

Weight: 1.6 lbs

<b>Project:</b>	<b>Type:</b>
<b>Prepared By:</b>	<b>Date:</b>

Driver Info		LED Info	
Type	N/A	Watts	N/A
120V	N/A	Color Temp	N/A
208V	N/A	Color Accuracy	N/A
240V	N/A	L70 Lifespan	N/A
277V	N/A	Lumens	N/A
Input Watts	N/A	Efficacy	N/A

## Technical Specifications

### Compliance

#### UL Listed:

Suitable for wet locations in a covered ceiling

#### Energy Star Approved:

ENERGY STAR® Version 2.0 Certified

### Construction

#### Housing Component:

This component must be ordered with the 2 inch deep regress downlights trim in order to make a complete fixture.

[See here for Round 2" Deep Regress Trims](#)

#### Housing:

Professional-grade, heavy-gauge steel construction with 1/2" trim

#### Mounting:

Housing includes nailer bars and butterfly brackets. Brackets also accommodate mounting with 1/4" to 1/2" bar stock, C channel or 1/2" conduit.

#### Junction Box:

Integral junction box with wiring capacity for Min 60°C supply conductors  
End of Run

### Easy Installation:

Ceiling clamps install quickly and hold housing securely. Clamp ceilings from 1/2" to 2 1/2" thick, with course and fine adjustments.

### Trim:

1/2" trim

### Other

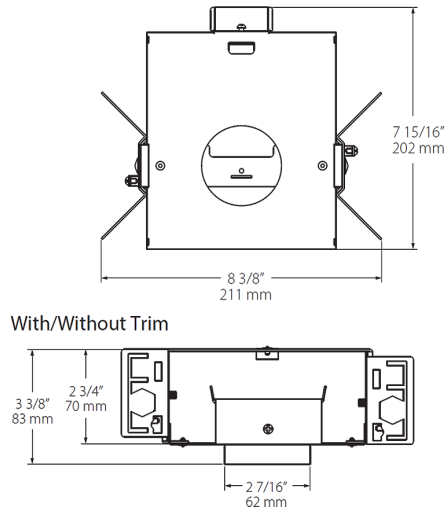
#### Warranty:

RAB warrants that our LED products will be free from defects in materials and workmanship for a period of five (5) years from the date of delivery to the end user, including coverage of light output, color stability, driver performance and fixture finish. RAB's warranty is subject to all terms and conditions found at [rablighting.com/warranty](http://rablighting.com/warranty).

#### Buy American Act Compliance:

RAB values USA manufacturing! Upon request, RAB may be able to manufacture this product to be compliant with the Buy American Act (BAA). Please contact customer service to request a quote for the product to be made BAA compliant.

## Dimensions



## Features

- Professional-grade, heavy-gauge steel construction with 1/2" trim
- Housing includes nailer bars and butterfly brackets
- Brackets also accommodate mounting with 1/4" to 1/2" bar stock, C channel or 1/2" conduit
- Ceiling clamps install quickly and hold housing securely
- Clamp ceilings from 1/2" to 2 1/2" thick, with course and fine adjustments.

## Ordering Matrix

Family	Size/Shape	Trim Style
ND	2R	T
	2R = 2" Round	T = 1/2" Trim
	2S = 2" Square	TL = Trimless