



<b>Project:</b>	<b>Type:</b>
<b>Prepared By:</b>	<b>Date:</b>

## Technical Specifications

### Performance

#### Product Type:

Nano

#### Description:

The Lightcloud Blue Nano is a versatile, compact accessory that expands the available features offered with Lightcloud Blue and RAB's compatible devices. Connecting the Nano to a Lightcloud Blue system improves features such as SmartShift circadian lighting and schedules and enables smart speaker integration.

### Lightcloud

#### Lightcloud Blue:

Lightcloud Blue is a Bluetooth mesh wireless lighting control system that allows you to control RAB's various compatible devices. With RAB's patent-pending Rapid Provisioning technology, devices can be quickly and easily commissioned for residential and large commercial applications using the Lightcloud Blue mobile app. Each device in a system can communicate with any other device, eliminating the need for a Gateway or Hub and maximizing the control system's reach.

DLC system - N1XMLOEATBA

[Learn more at www.lightcloud.com](http://www.lightcloud.com)

#### Gateway Required:

No

#### Communication Protocol:

Bluetooth Mesh

#### SmartShift:

SmartShift is the most advanced - yet easiest to use - circadian lighting system, which syncs white color tuning with the local sunrise and sunset.

#### Range:

Up to 60 feet between standard building materials. Building materials such as brick, concrete, and steel construction may require additional Lightcloud Blue devices to extend around an obstruction.  
Up to 200 feet clear line of sight.

#### Spacing Criteria:

Lightcloud Blue devices should be placed within the specified range to communicate within the Bluetooth Mesh network.

#### Max # of Devices to Control:

The Nano can manage a maximum of up to 600 Lightcloud Blue devices or up to 16 Areas. Maximum of 1 Nano per Site.

#### Factory Reset:

Method 1: Delete from App

Open the app and access the device settings for the paired device. Be sure that the device is online and select 'Delete'. The device will flash on/off 5 times and return to full brightness.

Method 2: Manual

Press and hold the center button on the Nano for 10 seconds. A flashing red light will appear to indicate the Nano has been reset and then revert to a flashing blue light indicating the Nano is ready to pair to the App.

#### Button Controls:

Available once Nano has been provisioned.

Press the button 1x and release to turn all lights On/Off within the Site.

Press the button 2x and release to change the color temperature of all color tuning lighting within the Site.

## Technical Specifications (continued)

### Status Indicator:

The button on the Nano includes an indicator light which displays various colors depending on the current status.

Solid Blue - Nano is paired to the Lightcloud Blue app

Flashing Blue - Nano is ready to be paired to the Lightcloud Blue app

Solid Green - Nano has successfully established a Wi-Fi connection

Flashing Red - Nano has been restored to default factory settings

Flashing Yellow - Nano is searching for a Wi-Fi network to connect to

## Electrical

### Input Voltage:

3V

### Operating Frequency:

DC

### Operating Temperature:

-4°F to 104°F (-20°C to 40°C)

## Installation

### Mounting:

Plug into compatible USB-A power source. The Nano must have constant power to operate as intended.

### Base:

USB-A

## Construction

### Shape:

Rectangle

### Finish:

White

### Enclosure Material:

Plastic

## Compliance

### Listings:

UL Listed

### Environment:

Suitable for indoor use in dry environments

### IC Rated:

No

### Model Number for Certification:

SMARTSHIFT ORBIT

### California Energy Commission (CEC) Status:

Lawful for Sales in California

### NEC Compliant:

Suitable for use in closets. Compliant with NEC Sec. 410.16 (A)(1) and 410.16 (C3).

### RoHS:

Mercury and UV free. RoHS-compliant components.

### FCC:

Complies with Part 15 of the FCC Rules

## Other

### Warranty:

RAB warrants that our LED products will be free from defects in materials and workmanship for a period of three (3) years from the date of delivery to the end user, including coverage of light output, color stability, driver performance and fixture finish. RAB's warranty is subject to all terms and conditions found at [rablighting.com/warranty](http://rablighting.com/warranty).

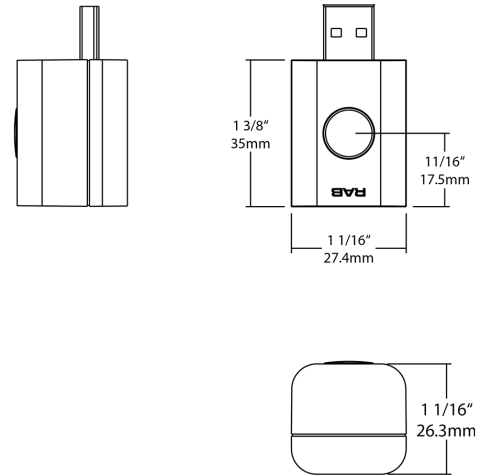
### Buy American Act Compliance:

RAB values USA manufacturing! Upon request, RAB may be able to manufacture this product to be compliant with the Buy American Act (BAA). Please contact customer service to request a quote for the product to be made BAA compliant.

## Case and Pallet Dimensions

	QTY	LENGTH (in)	WIDTH (in)	HEIGHT (in)
CASE	147	23.68	13.08	11
PALLET	3	47.36	39.24	44.57

## Dimension



## Features

Direct Connect to the Lightcloud Blue mobile app via Bluetooth, no Gateway or Hub required

Connect to 2.4GHz Wi-Fi network to improve Schedules and SmartShift

Compatible with Amazon Alexa and Google Home for voice control and remote access

Manually control a Site On/Off by clicking the button once or double click to change color temperature

## Ordering Matrix

Family	Lightclud Blue
NANO	/LCB

/LCB = Lightcloud® Blue Enabled