

Project:	Type:	Prepared By:	Date:
-----------------	--------------	---------------------	--------------



Features and Benefits

- Produces rich and vibrant colors >90CRI
- Energy efficient replacement for incandescent and halogen Small diameter reflectors
- Constructed from durable materials which lowers risk of breakage
- Rated for use in enclosed and open fixtures in dry or damp locations
- Single optic and full face lens for precise beam angle control
- Longer lifespan compared to legacy equivalents minimizes replacement and maintenance costs
- ENERGY STAR Compliant, UL Listed
- Compatible with low voltage transformers (check compatibility list)

Technical Specifications		
Performance <hr/> Product Type: Small-Reflector Input Wattage: 8W Lumens (Nominal): 540lm Efficacy: 64lm/W L70 Lifespan: 25,000-Hour LED lifespan based on IES LM-70 results Wattage Equivalency: 50W LED Characteristics <hr/> Color Accuracy (CRI): 90 CRI Color Temperature: 4000K	Electrical <hr/> Power Factor: >0.9 Dimmable: Yes, down to 10% Input Voltage: 12V Operating Temperature: -20°C to 40°C Construction <hr/> Bulb Shape: MR16 Enclosure Material: Aluminum Housing Finish: White Base Type: GU5.3	Optical <hr/> Beam Angle: 35° MBCP: 1380 Other <hr/> Technology EQ: Halogen Warranty: RAB warrants that our LED products will be free from defects in materials and workmanship for a period of four (4) years from the date of delivery to the end user, including coverage of light output, color stability, driver performance and fixture finish. RAB's warranty is subject to all terms and conditions found at rablighting.com/warranty . Compliance <hr/> UL Listed: Yes Environment/Fixture Rating: Damp / Enclosed

Technical Specifications (continued)

Energy Star ID:

2329193

RoHS:

Mercury and UV free. RoHS-compliant components.

FCC:

Complies with Part 15B of the FCC Rules

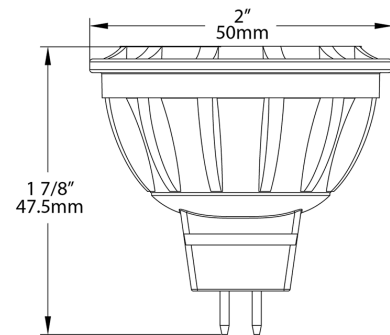
Model Number for Certification:

MR16-8-940-35D-DIM

Case and Pallet Dimensions

	QTY	LENGTH (in)	WIDTH (in)	HEIGHT (in)
CASE	12	7.7	5.7	3
PALLET	4536	47.8	40	10.2

Dimension



Light Distribution

