

<b>Project:</b>	<b>Type:</b>	<b>Prepared By:</b>	<b>Date:</b>
-----------------	--------------	---------------------	--------------



**Features and Benefits**

- Produces rich and vibrant colors >90CRI
- Energy efficient replacement for incandescent and halogen Small diameter reflectors
- Constructed from durable materials which lowers risk of breakage
- Rated for use in enclosed and open fixtures in dry or damp locations
- Single optic and full face lens for precise beam angle control
- Longer lifespan compared to legacy equivalents minimizes replacement and maintenance costs
- ENERGY STAR Compliant, UL Listed
- Compatible with low voltage transformers (check compatibility list)

Technical Specifications		
<p><b>Performance</b></p> <p><b>Product Type:</b> Small-Reflector</p> <p><b>Input Wattage:</b> 8W</p> <p><b>Lumens (Nominal):</b> 525lm</p> <p><b>Efficacy:</b> 62lm/W</p> <p><b>L70 Lifespan:</b> 25,000-Hour LED lifespan based on IES LM-70 results</p> <p><b>Wattage Equivalency:</b> 50W</p> <p><b>LED Characteristics</b></p> <p><b>Color Accuracy (CRI):</b> 90 CRI</p> <p><b>Color Temperature:</b> 2700K</p>	<p><b>Electrical</b></p> <p><b>Power Factor:</b> &gt;0.9</p> <p><b>Dimmable:</b> Yes, down to 10%</p> <p><b>Input Voltage:</b> 12V</p> <p><b>Operating Temperature:</b> -20°C to 40°C</p> <p><b>Construction</b></p> <p><b>Bulb Shape:</b> MR16</p> <p><b>Enclosure Material:</b> Aluminum</p> <p><b>Housing Finish:</b> White</p> <p><b>Base Type:</b> GU5.3</p>	<p><b>Optical</b></p> <p><b>Beam Angle:</b> 25°</p> <p><b>MBCP:</b> 2350</p> <p><b>Other</b></p> <p><b>Technology EQ:</b> Halogen</p> <p><b>Warranty:</b> RAB warrants that our LED products will be free from defects in materials and workmanship for a period of four (4) years from the date of delivery to the end user, including coverage of light output, color stability, driver performance and fixture finish. RAB's warranty is subject to all terms and conditions found at <a href="http://rablighting.com/warranty">rablighting.com/warranty</a>.</p> <p><b>Compliance</b></p> <p><b>UL Listed:</b> Yes</p> <p><b>Environment/Fixture Rating:</b> Damp / Enclosed</p>

## Technical Specifications (continued)

**Energy Star ID:**

2329186

**T24 JA8 Compliant:**

Complies with Title 24 Appendix JA8

**Rohs:**

Mercury and UV free. RoHS-compliant components.

**FCC:**

Complies with Part 15B of the FCC Rules

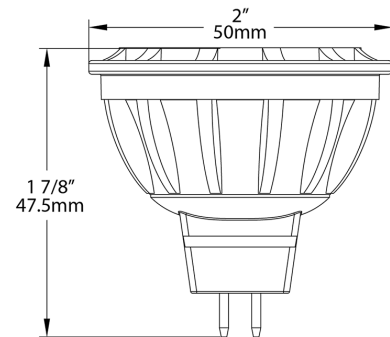
**Model Number for Certification:**

MR16-8-927-25D-DIM

## Case and Pallet Dimensions

	QTY	LENGTH (in)	WIDTH (in)	HEIGHT (in)
CASE	12	7.7	5.7	3
PALLET	4536	47.8	40	10.2

## Dimension



## Light Distribution

