

Project:	Type:	Prepared By:	Date:
-----------------	--------------	---------------------	--------------



Features and Benefits

- Produces rich and vibrant colors >90CRI
- Energy efficient replacement for incandescent and halogen Small diameter reflectors
- Constructed from durable materials which lowers risk of breakage
- Rated for use in enclosed and open fixtures in dry or damp locations
- Single optic and full face lens for precise beam angle control
- Longer lifespan compared to legacy equivalents minimizes replacement and maintenance costs
- ENERGY STAR Compliant, UL Listed
- Compatible with low voltage transformers (check compatibility list)

Technical Specifications

Performance <hr/> Product Type: Small-Reflector Input Wattage: 6W Lumens (Nominal): 420lm Efficacy: 65lm/W L70 Lifespan: 25,000-Hour LED lifespan based on IES LM-70 results Wattage Equivalency: 35W LED Characteristics <hr/> Color Accuracy (CRI): 90 CRI Color Temperature: 4000K	Electrical <hr/> Power Factor: >0.9 Dimmable: Yes, down to 10% Input Voltage: 12V Operating Temperature: -20°C to 40°C Construction <hr/> Bulb Shape: MR16 Enclosure Material: Aluminum Housing Finish: White Base Type: GU5.3	Optical <hr/> Beam Angle: 15° MBCP: 3367 Other <hr/> Technology EQ: Halogen Compliance <hr/> UL Listed: Yes Environment/Fixture Rating: Damp / Enclosed Energy Star ID: 2329460 Rohs: Mercury and UV free. RoHS-compliant components. FCC: Complies with Part 15B of the FCC Rules
--	---	---

Technical Specifications (continued)

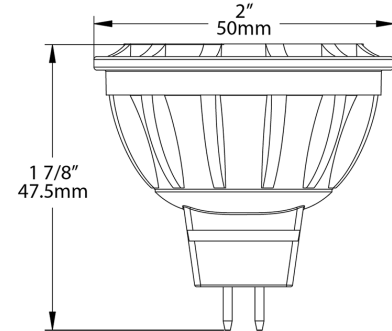
Model Number for Certification:

MR16-6-940-15D-DIM

Case and Pallet Dimensions

	QTY	LENGTH (in)	WIDTH (in)	HEIGHT (in)
CASE	12	7.7	5.7	3
PALLET	4536	47.8	40	10.2

Dimension



Light Distribution

