

Project:	Type:	Prepared By:	Date:
-----------------	--------------	---------------------	--------------



Features and Benefits

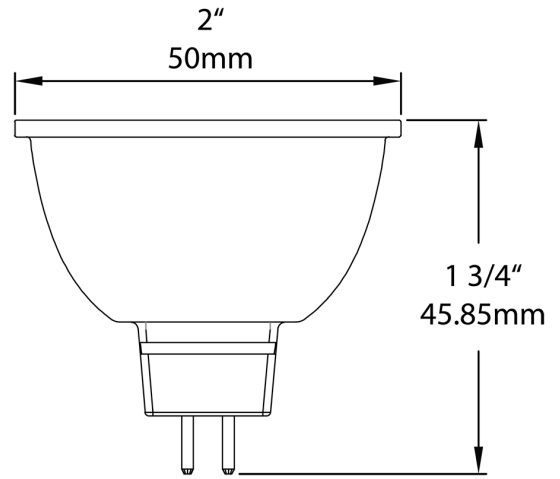
- Produces rich and vibrant colors >90CRI
- Energy efficient replacement for incandescent and halogen Small diameter reflectors
- Constructed from durable materials which lowers risk of breakage
- Rated for use in enclosed and open fixtures in dry or damp locations
- Single optic and full face lens for precise beam angle control
- Longer lifespan compared to legacy equivalents minimizes replacement and maintenance costs
- Title 20 Compliant, ENERGY STAR Compliant, UL Listed
- Compatible with low voltage transformers (check compatibility list)

Technical Specifications		
Performance <hr/> Product Type: Small-Reflector Input Wattage: 6.5W Wattage Equivalency: 50W Halogen Lumens (Nominal): 500lm Efficacy: 77lm/W L70 Lifespan: 25,000 Hours	For Use Outdoors in Open Fixtures: No LED Characteristics <hr/> Color Temperature: 4000K Cool White Color Accuracy (CRI): ≥90 Electrical <hr/> Power Factor: >0.9 Operating Temperature: -20°C to 45°C (-4°F to 113°F) Dimmable: Yes Input Voltage: 12V Flicker: ≤30%	Optical <hr/> Beam Angle: 35° Compliance <hr/> UL Listed: Yes Energy Star Approved: This product is ENERGY STAR® Version 2.0 Certified Energy Star ID: 2351923 Model Number for Certification: R10027 California Energy Commission (CEC) Status: Lawful for Sales in California
Construction <hr/> Bulb Shape: MR16 Base Type: GU5.3		

Case and Pallet Dimensions

	QTY	LENGTH (in)	WIDTH (in)	HEIGHT (in)
CASE	12	8.74	6.61	2
PALLET	5760	44.49	40.47	45.35

Dimension



Light Distribution

