

<b>Project:</b>	<b>Type:</b>	<b>Prepared By:</b>	<b>Date:</b>
-----------------	--------------	---------------------	--------------



### Features and Benefits

- Produces rich and vibrant colors >90CRI
- Energy efficient replacement for incandescent and halogen Small diameter reflectors
- Constructed from durable materials which lowers risk of breakage
- Rated for use in enclosed and open fixtures in dry or damp locations
- Single optic and full face lens for precise beam angle control
- Longer lifespan compared to legacy equivalents minimizes replacement and maintenance costs
- Title 20 Compliant, ENERGY STAR Compliant, UL Listed
- Compatible with low voltage transformers (check compatibility list)

Technical Specifications		
<b>Performance</b>	<b>For Use Outdoors in Open Fixtures:</b>	<b>Optical</b>
<b>Product Type:</b> Small-Reflector	No	<b>Beam Angle:</b> 15°
<b>Input Wattage:</b> 6.5W	<b>LED Characteristics</b>	<b>Other</b>
<b>Wattage Equivalency:</b> 50W Halogen	<b>Color Temperature:</b> 2700K Soft White	<b>Warranty:</b> RAB warrants that our LED products will be free from defects in materials and workmanship for a period of five (5) years from the date of delivery to the end user, including coverage of light output, color stability, driver performance and fixture finish. RAB's warranty is subject to all terms and conditions found at <a href="http://rablighting.com/warranty">rablighting.com/warranty</a> .
<b>Lumens (Nominal):</b> 500lm	<b>Color Accuracy (CRI):</b> ≥90	<b>Compliance</b>
<b>Efficacy:</b> 77lm/W	<b>Electrical</b>	<b>UL Listed:</b> Yes
<b>L70 Lifespan:</b> 25,000 Hours	<b>Power Factor:</b> >0.9	<b>Energy Star Approved:</b> This product is ENERGY STAR® Version 2.0 Certified
<b>Construction</b>	<b>Operating Temperature:</b> -20°C to 45°C (-4°F to 113°F)	<b>Energy Star ID:</b> 2351916
<b>Bulb Shape:</b> MR16	<b>Dimmable:</b> Yes	
<b>Base Type:</b> GU5.3	<b>Input Voltage:</b> 12V	
	<b>Flicker:</b> ≤30%	

**Technical Specifications (continued)**

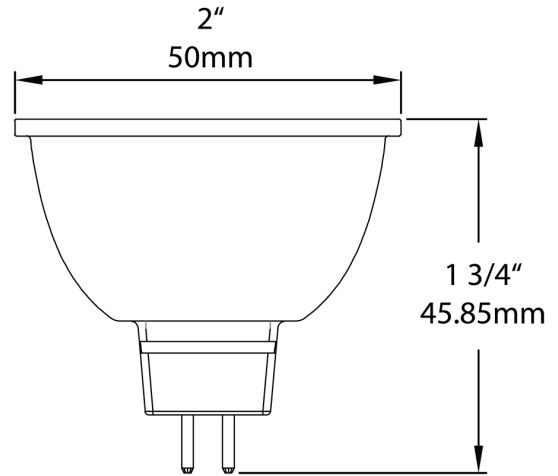
**Model Number for Certification:**  
R10021

**California Energy Commission (CEC) Status:**  
Lawful for Sales in California

**Case and Pallet Dimensions**

	QTY	LENGTH (in)	WIDTH (in)	HEIGHT (in)
CASE	12	8.74	6.61	2
PALLET	5760	44.49	40.47	45.35

**Dimension**



**Light Distribution**

