



Color: White

Weight: 0.1 lbs

Project:	Type:
Prepared By:	Date:

Technical Specifications

Performance

Product Type:

Small Reflectors, 90CRI Dimmable

Wattage Equivalency:

50W Halogen

Input Wattage:

5.5W

Lumens (Nominal):

500lm

Efficacy:

91lm/W

L70 Lifespan:

15,000-Hour LED lifespan based on IES LM-70 results

Electrical

Driver:

Constant Current 12V n/a; 120V: 495mA

THD:

<65

Power Factor:

0.7

Dimmable:

Yes, dimmable down to 10% on compatible TRIAC/ELV dimming systems. See Dimmer Compatibility List.

Input Voltage:

12V

Flicker:

<30%

Construction

Operating Temperature Range:

-4°F - 104°F (-20°C - 40°C)

Shape:

MR16

Finish:

White

Enclosure Material:

Polycarbonate

Lens Finish:

Frosted

LED Characteristics

Beam Angle:

25°

Color Temperature:

2700K

Color Accuracy (CRI):

≥90

R9 Value:

High color performance with R9 greater than 0

Color Consistency:

<4-step MacAdam Ellipse binning to achieve consistent fixture-to-fixture color

Installation

Base Type:

GU5.3 Bi-pin

Compliance

ETL Listed:

This product has been tested by Intertek and found in compliance with accepted national standards.

Environment:

Suitable for use indoors in dry and damp environments.

Fixture Rating:

Suitable for use in enclosed fixtures

Energy Star Approved:

No

Technical Specifications (continued)

DLC Listed:

This product family is listed with the DesignLights Consortium (DLC). Individual SKUs within this family may carry either a DLC Standard or DLC Premium qualification. Please refer to the individual product specification sheet or the DLC Qualified Products List (QPL) at designlights.org to confirm the qualification status of a specific SKU prior to specification or purchase.

Certification Model Number:

P30036(MR16-5.5-927-25D-DIM)

California Title 20 Compliant:

Can be used to conform with the requirements of California Title 20

California Title 24 JA8 Compliant:

No

California Energy Commission (CEC) Status:

Lawful for Sales in California

IESNA LM-79 & LM-80 Testing:

RAB LED luminaires and LED components have been tested by an independent laboratory in accordance with IESNA LM-79 and LM-80.

RoHS:

Mercury and UV free. RoHS-compliant components.

FCC:

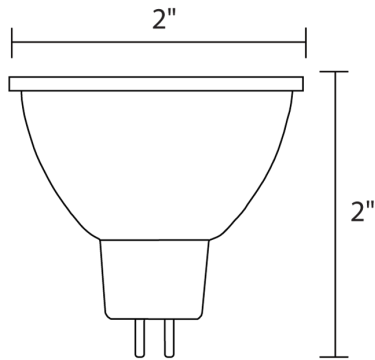
Complies with Part 15 of the FCC Rules

Other

3-Year, No-Compromise Warranty:

RAB warrants that our LED products will be free from defects in materials and workmanship for a period of three (3) years from the date of delivery to the end user, including coverage of light output, color stability, driver performance and fixture finish. RAB's warranty is subject to all terms and conditions found at rablighting.com/warranty.

Dimensions



Features

- Produces rich and vibrant colors >90CRI
- Energy efficient replacement for incandescent and halogen Small diameter reflectors
- Single optic and full face lens for precise beam angle control
- Longer lifespan compared to legacy equivalents minimizes replacement and maintenance costs
- Title 20 Compliant, ENERGY STAR Compliant, UL Listed

Ordering Matrix

Family	Wattage	Base Type	CRI/Color Temp	Beam Angle	Dimmable
MR16	5.5		927	25D	DIM
	5 = 5W 5.5 = 5.5W 7 = 7W	Blank = GU5.3 Bi-pin	927 = 90 CRI, 2700K 930 = 90 CRI, 3000K 940 = 90 CRI, 4000K	25D = 25° 40D = 40°	DIM = 120V, TRIAC/ELV