



Project:	Type:
Prepared By:	Date:

17" PVC mounting post for lighter weight ground mounted landscape lighting. Post is 2" pipe (2 3/8" O.D.) for cleaner look. In-ground stabilizing grid included.

Color: Black

Weight: 1.5 lbs

**Technical Specifications**

**Compliance**

**UL Listed:**

Suitable for wet locations. Fixtures with ground wire must be used.

**Construction**

**Post Materials:**

UL Schedule 40 PVC pipe

**Set Screw:**

Locks cap to post and prevents rotation

**Cap:**

PVC

**Other**

**Note:**

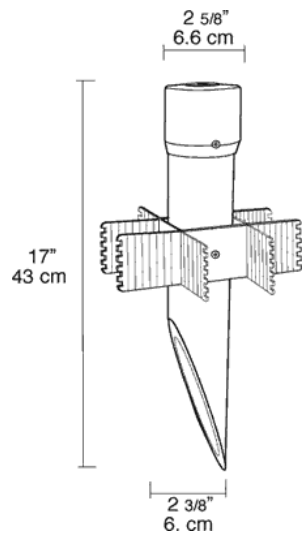
H101 is not compatible with MP17 or MP19

**Patents:**

Pat. D424,524.

**Buy American Act Compliance:**

RAB values USA manufacturing! Upon request, RAB may be able to manufacture this product to be compliant with the Buy American Act (BAA). Please contact customer service to request a quote for the product to be made BAA compliant.

**Dimensions****Features**

Cleanly styled molded PVC cap

Rugged extruded PVC pipe

Sturdy "Ground Grabber" stabilizer with teeth and ribs for maximum stability

Also available a 19" PVC post and an extra rugged Die cast aluminum cap for heavier HID floods

Rounded edges protect wires

1/2" threaded hole fits standard floodlights & lawn lights

Post Adapter lets you add outlets and sensors