



Die cast aluminum caps for replacement or making Do-It-Yourself Mighty Posts. MMCAP2 fits standard 2" pipe (2 3/8" outer diameter), MMCAP3 fits standard 2.5" pipe (2 7/8" outer diameter). Has a bare copper ground wire. Cut the pipe yourself and save!

Color: Black

Weight: 0.4 lbs

Project:

Type:

Prepared By:

Date:

Technical Specifications

Compliance

UL Listed:

Suitable for wet locations. Fixtures with ground wire must be used.

Construction

Post Materials:

UL Schedule 40 PVC pipe

Set Screw:

Locks cap to post and prevents rotation

Fits Pipe:

2.5".

Pipe O.D.:

2 7/8

Material:

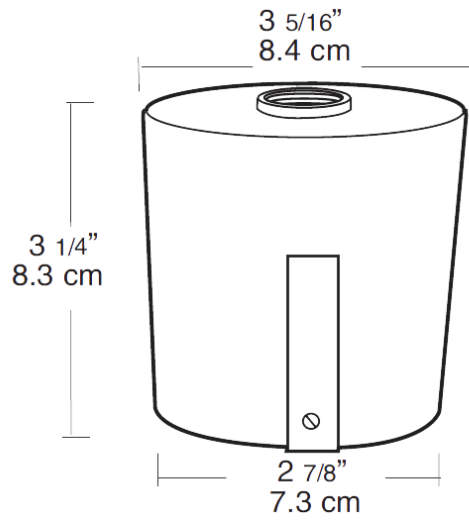
ABS

Other

Buy American Act Compliance:

RAB values USA manufacturing! Upon request, RAB may be able to manufacture this product to be compliant with the Buy American Act (BAA). Please contact customer service to request a quote for the product to be made BAA compliant.

Dimensions



Features

- Set screw locks cap to post
- 1/2" threaded hole fits standard floodlights & lawn lights
- Internal seal provides weatherproof fit
- Can be used with Post Adapter an option that lets you add outlets and sensors