



Project:	Type:
Prepared By:	Date:

PVC caps for replacement or making Do-It-Yourself Mighty Posts. MCAP2 fits standard 2" pipe (2 3/8" outer diameter), MCAP3 fits standard 2.5" pipe (2 7/8" outer diameter). Fixtures with ground wire must be used. Cut the pipe yourself and save!

Color: White

Weight: 0.2 lbs

Technical Specifications

Compliance

UL Listed:

Suitable for wet locations. Fixtures with ground wire must be used.

Construction

Post Materials:

UL Schedule 40 PVC pipe

Set Screw:

Locks cap to post and prevents rotation

Fits Pipe:

2"

Pipe O.D.:

2 3/8

Material:

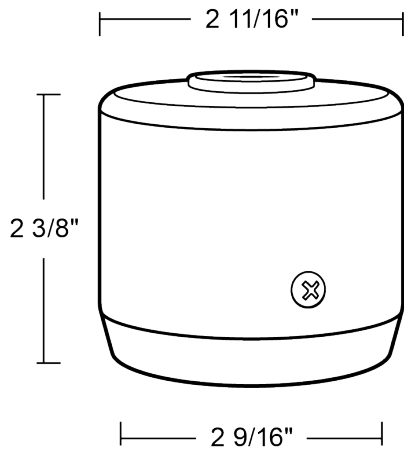
PVC

Other

Buy American Act Compliance:

RAB values USA manufacturing! Upon request, RAB may be able to manufacture this product to be compliant with the Buy American Act (BAA). Please contact customer service to request a quote for the product to be made BAA compliant.

Dimensions



Features

- Set screw locks cap to post
- 1/2" threaded hole fits standard floodlights & lawn lights
- Internal seal provides weatherproof fit
- Thick wall PVC post with molded-in color
- Can be used with Post Adapter an option that lets you add outlets and sensors