



Flush mount canopy fixture ideal for vehicle service and fueling stations as a retrofit or new construction installation. 20" x 20" models offered in two power packages with an equivalency range from 320W to 400W Metal Halide. Also available in 16" x 16" models with three power packages.

Color: White

Weight: 33.7 lbs

<b>Project:</b>	<b>Type:</b>
<b>Prepared By:</b>	<b>Date:</b>

Driver Info		LED Info	
Type	Constant Current	Watts	160W
120V	N/A	Color Temp	4000K (Neutral)
208V	N/A	Color Accuracy	72 CRI
240V	N/A	L70 Lifespan	100,000 Hours
277V	N/A	Lumens	23,017 lm
Input Watts	159.5W	Efficacy	144.3 lm/W

## Technical Specifications

### Compliance

#### UL Listed:

Suitable for wet locations

#### IP Rating:

Ingress protection rating of IP66 for dust and water

#### IESNA LM-79 & lm-80 Testing:

RAB LED luminaires and LED components have been tested by an independent laboratory in accordance with IESNA lm-79 and lm-80

### Optical

#### BUG Rating:

B4 U0 G2

### Construction

#### Maximum Ambient Temperature:

Suitable for use in up to 40°C (104°F)

#### Cold Weather Starting:

The minimum starting temperature is -40°C (-40°F)

#### Housing:

Die-cast aluminum with stainless steel cover

#### Mounting:

Semi-recessed construction. Junction box with four (4) 1/2" NPS conduit openings.

#### Gaskets:

High-temperature silicone gaskets

#### Retroplate:

An optional retroplate allows for installation in openings from 4 to 6.5 inches in diameter. Additional retrofit options are available upon request to replace virtually any existing fixture. Please contact RAB Customer Service 1-888-722-1000.

#### Finish:

Our environmentally friendly polyester powder coatings are formulated for high-durability and long-lasting color

#### Green Technology:

Mercury and UV free. RoHS-compliant components.

### Performance

#### Lifespan:

100,000-Hour LED lifespan based on IES LM-80 results and TM-21 calculations

#### Wattage Equivalency:

Equivalent to 400W Metal Halide

### LED Characteristics

#### LEDs:

Long-life, high-efficacy, surface-mount LEDs

#### Color Consistency:

7-step MacAdam Ellipse binning to achieve consistent fixture-to-fixture color

#### Color Stability:

RAB LEDs exceed industry standards for chromatic stability

#### Color Uniformity:

RAB's range of Correlated Color Temperature follows the guidelines of the American National Standard for Specifications for the Chromaticity of Solid State Lighting (SSL) Products, ANSI C78.377-2017.

### Other

#### Warranty:

RAB warrants that our LED products will be free from defects in materials and workmanship for a period of five (5) years from the date of delivery to the end user, including coverage of light output, color stability, driver performance and fixture finish. RAB's warranty is subject to all terms and conditions found at [rablighting.com/warranty](http://rablighting.com/warranty).

#### Buy American Act Compliance:

RAB values USA manufacturing! Upon request, RAB may be able to manufacture this product to be compliant with the Buy American Act (BAA). Please contact customer service to request a quote for the product to be made BAA compliant.

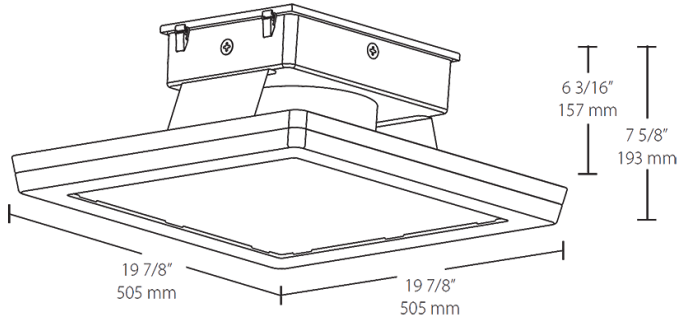
## Technical Specifications (continued)

### Electrical

#### Driver:

Constant Current, Class 2 347-480V, 50/60 Hz. THD <20%. PF >0.90, 700mA

### Dimensions



### Features

All 120-277V models DLC Premium listed, qualifying for highest available utility rebates

Premium performance, ultra-high efficiency for fastest payback

Easily installs in 4" openings and replaces most existing fixtures

Retroplate accessory available for openings larger than 4"

Water-resistant junction box and drain-off slots

5-Year, No-Compromise Warranty

### Ordering Matrix

Family	Size	Wattage	Color Temp	Finish	Driver Options
MASI	20	160	N	W	/480
	16 = 16" x 16"	52 = 52W 80 = 80W 100 = 100W 160 = 160W 200 = 200W	Blank = 5000K Cool N = 4000K Neutral Y = 3000K Warm	W = White	/D10 = 120-277V w/ 0-10V Dimming /480 = 480V On/Off Driver