

Color: White

Weight: 1.6 lbs

<b>Project:</b>	<b>Type:</b>
<b>Prepared By:</b>	<b>Date:</b>

Driver Info		LED Info	
Type	Constant Current	Watts	20W
120V	0.17A	Color Temp	3000K-5000K
208V	N/A	Color Accuracy	81-83 CRI
240V	N/A	L70 Lifespan	100,000 Hours
277V	N/A	Lumens	2,023-2,096 lm
Input Watts	19.3-19.4W	Efficacy	104.3-108.6 lm/W

## Technical Specifications

### Compliance

#### UL Listed:

Suitable for wet locations

#### Trade Agreements Act Compliant:

This product is a product of Cambodia and a "designated country" end product that complies with the Trade Agreements Act

#### DLC Listed:

This product is on the Design Lights Consortium (DLC) Qualified Products List and is eligible for rebates from DLC Member Utilities. Designed to meet DLC 5.1 requirements.  
DLC Product Code: S-8WLTMS

### Sensor Specifications

#### Operating Voltage:

120 Vac @ 60Hz

#### Operating Current:

0.17A

#### Light Output:

10% to 100% stepless dimmer

#### Detection Area/Sensor Sensitivity:

30% ~100%

#### Detection Area:

Maximum diameter 50ft 160°

#### Hold Time:

5s~10min

#### Threshold Daylight Sensor:

5~2000 Lux

#### Color Temperature:

Min 3000K to Max 5000K field-adjustable

#### Detection Angle:

160°

#### Mounting Height:

Max 10 ft (Wall or Eaves mounted/Ceiling mounted)

#### Detection Range:

Max radius 50 ft (wall mounted)

#### Operating Temperature:

-20°C to 50°C (-4°F to 122°F)

#### IP Rating:

IP65

#### Surge Protection:

1kV

#### Lifespan:

100,000-Hour LED lifespan based on IES LM-80 results and TM-21 calculations

#### IC:

ASCHIP

#### Dimming:

0-10V

#### Total Lumen:

2200lm

### Construction

#### Effective Projected Area:

2000 square foot

#### Housing:

Polycarbonate

#### Lens:

Polycarbonate lens

#### Reflector:

Polycarbonate

### Tunable Switch Settings

#### Dimmer:

Minimum Setting (from): 0% brightness  
Maximum Setting (up to): 100% light output

#### Color:

Minimum Setting (from): 3000K  
Maximum Setting (up to): 5000K

## Technical Specifications (continued)

### Photocell:

Minimum Setting (from): The light turns on only when it is dark enough

Maximum Setting (up to): The light will turn on in the daylight, sunset or in the darkness

### Time:

Minimum Setting (from): The light turns OFF after 5 sec. when no motion is detected.

Maximum Setting (up to): The light turns OFF after 10 min. when no motion is detected.

### Sens:

Minimum Setting (from): 30% for short detection range (min 10 ft.)

Maximum Setting (up to): 100% for long detection range (max 50 ft.)

### Other

#### 5 Yr Limited Warranty:

The RAB 5-year, limited warranty covers light output, driver performance and paint finish. RAB's warranty is subject to all terms and conditions found at [rablighting.com/warranty](http://rablighting.com/warranty).

#### Buy American Act Compliance:

RAB values USA manufacturing! Upon request, RAB may be able to manufacture this product to be compliant with the Buy American Act (BAA). Please contact customer service to request a quote for the product to be made BAA compliant.

### Electrical

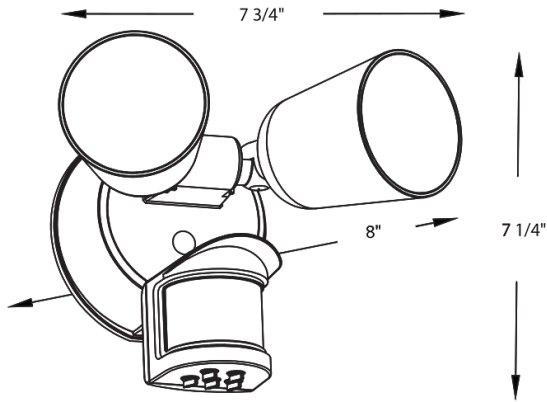
#### THD:

11.25% at 120V

#### Power Factor:

98.3% at 120V

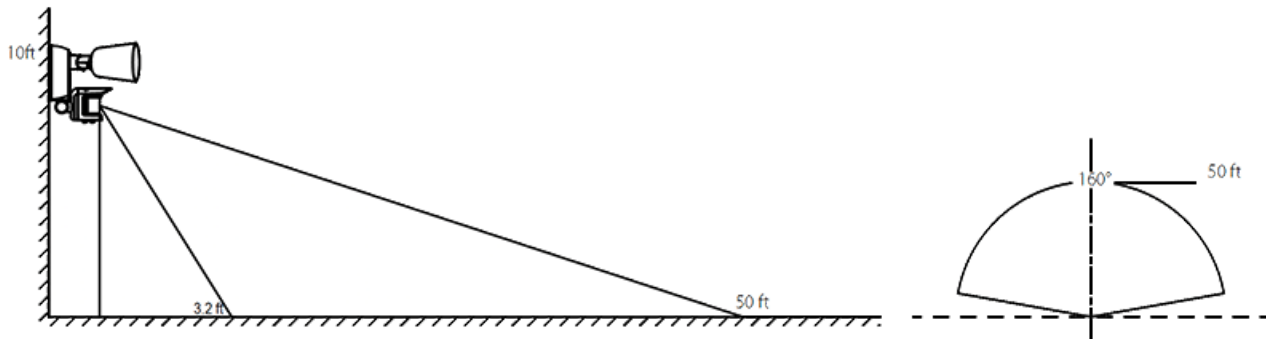
**Dimensions**



**Features**

- 100,000-Hour LED lifespan
- DLC Listed
- 5-Year, limited warranty

**Coverage Pattern**



**Ordering Matrix**

Family	Wattage	Color Temp	Finish	Voltage
LU160			W	
	Blank = 20W	Blank = 3000K to 5000K Tunable	Blank = Bronze W = White	Blank = 120V