



Fits decorator wall plates with only 1/2" protrusion. Gangable. Full 180° view covers 1000 sq. ft. Works with electronic ballasts. Can be wired in parallel. LED indicator, wallplate included. Can also be used as a ceiling sensor.

Color: Ivory

Weight: 0.3 lbs

<b>Project:</b>	<b>Type:</b>
<b>Prepared By:</b>	<b>Date:</b>

**Technical Specifications**

**Compliance**

**UL Listed:**

Indoor applications Smart Box & Tuff Dome Wet locations

**Construction**

**Compatibility:**

Compatible with most electronic ballasts. Not compatible with instant start ballasts. Can be wired in parallel.

**Sensor Specifications**

**Maximum Reliability:**

Superb small movement sensitivity within 18 feet. LOS1000 has "ZAPS" - Zero Arc Point Switching to protect relay contacts lengthen ballast and sensor life.

**Time Delay:**

30 seconds to 15 minutes

**Ambient Light Sensing:**

n/a

**Adjustments:**

Time

**Detection:**

180° view covers 1000 sq. feet.

**Electrical**

**Maximum Energy Savings:**

Light only when you need it. No ON switch so lights are never left on by mistake.

**Rated Voltage:**

120/250/277VAC, 50/60Hz

**Incandescent & Fluorescent Watts Switched:**

1000W @ 120 volts

**Ratings:**

8 amps 1/6 Horsepower

**Power Consumption:**

Negligible

**Manual Switch:**

Off - Auto

**Wiring:**

Hot & ground

**Optical**

**Coverage Area:**

1000sf

**Other**

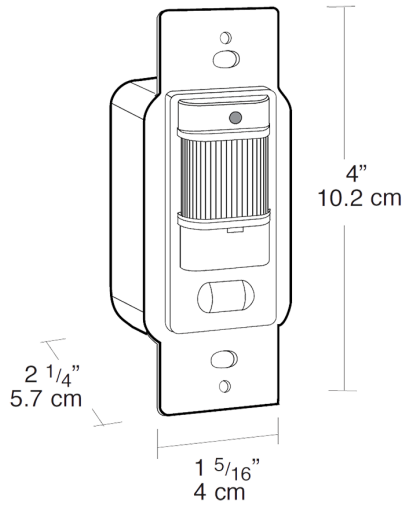
**Warranty:**

RAB warrants that our LED products will be free from defects in materials and workmanship for a period of one (1) year from the date of delivery to the end user, including coverage of light output, color stability, driver performance and fixture finish. RAB's warranty is subject to all terms and conditions found at [rablighting.com/warranty](http://rablighting.com/warranty).

**Buy American Act Compliance:**

RAB values USA manufacturing! Upon request, RAB may be able to manufacture this product to be compliant with the Buy American Act (BAA). Please contact customer service to request a quote for the product to be made BAA compliant.

## Dimensions



## Features

- Full 180° view
- LED detection indicator
- Tough, vandal resistant lens
- Fits decorator wall plates
- Control panel cover only removable with wall plate to prevent tampering
- Manual off/auto switch
- Vandal proof sensor for schools, gyms and high abuse areas