



Color: Black

Weight: 32.0 lbs

Project:	Type:
Prepared By:	Date:

Driver Info		LED Info	
Type	N/A	Watts	44W
120V	N/A	Color Temp	2700/4000/6500K
208V	N/A	Color Accuracy	90 CRI
240V	N/A	L70 Lifespan	50,000 Hours
277V	N/A	Lumens	1,900 lm
Input Watts	44W	Efficacy	50

Technical Specifications

Performance

Product Type:

Mirror w/Frame

Description:

Stylish LED mirrors in round and rectangular designs that feature smooth, diffused light, touch-controlled dimming and CCT, anti-fog technology, and memory recall.

Input Wattage:

44W

Lumens (Nominal):

1,900lm

Efficacy:

50lm/W

L70 Lifespan:

50,000-Hour LED lifespan based on IES LM-70 results

Electrical

Driver:

Constant Voltage, Class 2 120V 50/60; 120V: 367mA

THD:

≤20%

Power Factor:

≥0.9

Dimmable:

Yes, stepless dimming via integrated touch control down to 10%.

Input Voltage:

120V

Flicker:

≤30%

Construction

Operating Temperature Range:

-4°F - 104°F (-20°C - 40°C)

Size:

36"

Illuminated Width:

1.10"

Shape:

Round

Finish:

Black

Enclosure Material:

Aluminum

Style:

Frame

Lens:

Frosted lens for smooth diffused light output

Defogger:

Yes, integrated touch control activates anti-fog feature to reduce mirror fogging.

Memory Function:

Yes, memory function allows light level and CCT settings to be stored after 8 seconds.

LED Characteristics

Beam Angle:

25° - 45° ;±10°

Color Temperature:

Field adjustable via integrated touch control 2700/4000/6500K

Color Accuracy (CRI):

90 CRI

R9 Value:

High color performance with R9 greater than 50

Color Consistency:

<4-step MacAdam Ellipse binning to achieve consistent fixture-to-fixture color

Technical Specifications (continued)**Installation****Mounting:**

Wall mount

Compliance**ETL Listed:**

This product has been tested by Intertek and found in compliance with accepted national standards.

Environment:

Suitable for use indoors in dry, or damp environments.

IP Rating:

IP44

Energy Star Approved:

No

DLC Listed:

This product family is listed with the DesignLights Consortium (DLC). Individual SKUs within this family may carry either a DLC Standard or DLC Premium qualification. Please refer to the individual product specification sheet or the DLC Qualified Products List (QPL) at designlights.org to confirm the qualification status of a specific SKU prior to specification or purchase.

Certification Model Number:

LMFBR36

California Title 20 Compliant:

No

California Title 24 JAB Compliant:

Can be used to conform with the requirements of California Title 24 Part 6.

California Energy Commission (CEC) Status:

Lawful for Sales in California

IESNA LM-79 & LM-80 Testing:

RAB LED luminaires and LED components have been tested by an independent laboratory in accordance with IESNA LM-79 and LM-80.

RoHS:

Mercury and UV free. RoHS-compliant components.

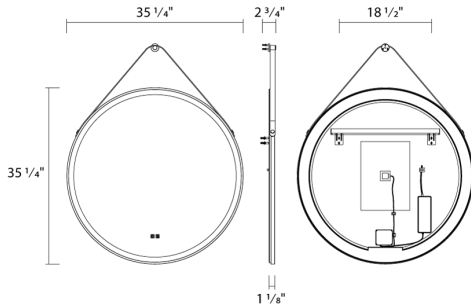
FCC:

Complies with Part 15 of the FCC Rules

Other**3-Year Limited Warranty:**

The RAB 3-year, limited warranty covers light output, driver performance and paint finish. RAB's warranty is subject to all terms and conditions found at rablighting.com/warranty

Dimensions



Features

- Field-adjustable color temperature via integrated touch control 2700/4000/6500K
- Touch-activated, anti-fog function keeps mirror clear during and after showers
- Memory function restores last used light level and CCT settings
- Frosted lens for smooth diffused light output
- 50,000-hr. lifespan, Title 24, 3-year limited warranty

Ordering Matrix

Family	Finish	Shape	Size	CRI/Color Temp	Driver
LMF	B	R	36		
	B = Black	Blank = Rectangle R = Round	2436 = 24" x 36, Rectangle 36 = 36", Round	Blank = 90 CRI, 2700/4000/6500K CCT Adjustable	Blank = 120V, Stepless Dimming