

| | |
|---------------------|--------------|
| Project: | Type: |
| Prepared By: | Date: |

| Driver Info | | LED Info | |
|-------------|-----|----------------|-----------------|
| Type | N/A | Watts | 46W |
| 120V | N/A | Color Temp | 2700/4000/6500K |
| 208V | N/A | Color Accuracy | 90 CRI |
| 240V | N/A | L70 Lifespan | 50,000 Hours |
| 277V | N/A | Lumens | 1,650 lm |
| Input Watts | 46W | Efficacy | 50 |

Technical Specifications

Performance

Product Type:

Mirror, Frameless

Description:

Stylish LED mirrors in round and rectangular designs that feature smooth, diffused light, touch-controlled dimming and CCT, anti-fog technology, and memory recall.

Input Wattage:

46W

Lumens (Nominal):

1,650lm

Efficacy:

50lm/W

L70 Lifespan:

50,000-Hour LED lifespan based on IES LM-70 results

Electrical

Driver:

Constant Voltage, Class 2 120V 50/60; 120V: 383mA

THD:

≤20%

Power Factor:

≥0.9

Dimmable:

Yes, stepless dimming via integrated touch control down to 10%.

Input Voltage:

120V

Flicker:

≤30%

Construction

Operating Temperature Range:

-4°F - 104°F (-20°C - 40°C)

Size:

24"x32"

Illuminated Width:

1.10"

Shape:

Ellipse

Finish:

White

Enclosure Material:

Constructed from frosted, shatter-resistant polycarbonate

Style:

Frameless

Lens:

Frosted lens for smooth diffused light output

Defogger:

Yes, integrated touch control activates anti-fog feature to reduce mirror fogging.

Memory Function:

Yes, memory function allows light level and CCT settings to be stored after 8 seconds.

LED Characteristics

Beam Angle:

25° - 45° ;±10°

Color Temperature:

Field adjustable via integrated touch control 2700/4000/6500K

Color Accuracy (CRI):

90 CRI

R9 Value:

High color performance with R9 greater than 50

Technical Specifications (continued)

Color Consistency:

<4-step MacAdam Ellipse binning to achieve consistent fixture-to-fixture color

Installation**Mounting:**

Wall mount

Compliance**ETL Listed:**

This product has been tested by Intertek and found in compliance with accepted national standards.

Environment:

Suitable for use indoors in dry, or damp environments.

IP Rating:

IP44

Energy Star Approved:

No

DLC Listed:

This product family is listed with the DesignLights Consortium (DLC). Individual SKUs within this family may carry either a DLC Standard or DLC Premium qualification. Please refer to the individual product specification sheet or the DLC Qualified Products List (QPL) at designlights.org to confirm the qualification status of a specific SKU prior to specification or purchase.

Certification Model Number:

LME2432_

California Title 20 Compliant:

No

California Title 24 JA8 Compliant:

Can be used to conform with the requirements of California Title 24 Part 6.

California Energy Commission (CEC) Status:

Lawful for Sales in California

IESNA LM-79 & LM-80 Testing:

RAB LED luminaires and LED components have been tested by an independent laboratory in accordance with IESNA LM-79 and LM-80.

RoHS:

Mercury and UV free. RoHS-compliant components.

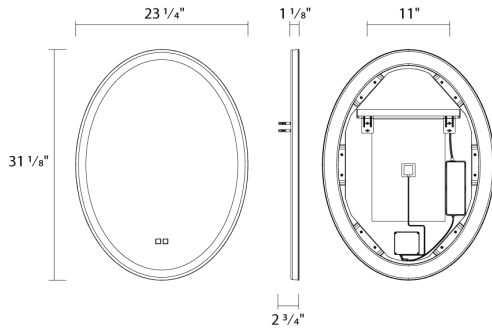
FCC:

Complies with Part 15 of the FCC Rules

Other**3-Year Limited Warranty:**

The RAB 3-year, limited warranty covers light output, driver performance and paint finish. RAB's warranty is subject to all terms and conditions found at rablighting.com/warranty

Dimensions



Features

- Field-adjustable color temperature via integrated touch control
2700/4000/6500K
- Touch-activated, anti-fog function keeps mirror clear during and after showers
- Memory function restores last used light level and CCT settings
- Frosted lens for smooth diffused light output
- 50,000-hr. lifespan, Title 24, 3-year limited warranty

Ordering Matrix

| Family | Shape | Size | CRI/Color Temp | Driver |
|--------|----------------------------------|--|--|--------------------------------|
| LM | E | 2432 | | |
| | Blank = Rectangle E = Ellipse | 4836 = 48" x 36" 2432 = 24" x 32" 7236 = 72" x 36" 2436 = 24" x 36" 1832 = 18" x 32" | Blank = 90 CRI, 2700/4000/6500K CCT Adjustable | Blank = 120V, Stepless Dimming |