



Color: Aluminum

Weight: 11.0 lbs

<b>Project:</b>	<b>Type:</b>
<b>Prepared By:</b>	<b>Date:</b>

Driver Info		LED Info	
Type	N/A	Watts	23W
120V	N/A	Color Temp	2700/4000/6500K
208V	N/A	Color Accuracy	90 CRI
240V	N/A	L70 Lifespan	50,000 Hours
277V	N/A	Lumens	560 lm
Input Watts	23W	Efficacy	51

**Technical Specifications**

**Performance**

**Product Type:**

Mirror, Frameless

**Description:**

Stylish LED mirrors in round and rectangular designs that feature smooth, diffused light, touch-controlled dimming and CCT, anti-fog technology, and memory recall.

**Input Wattage:**

23W

**Lumens (Nominal):**

560lm

**L70 Lifespan:**

50,000-Hour LED lifespan based on IES LM-70 results

**Optical**

**Efficacy:**

51lm/W

**Electrical**

**Driver:**

Constant Voltage, Class 2 120V 50/60; 120V: 192mA

**THD:**

≤20%

**Power Factor:**

≥0.9

**Dimmable:**

Yes, stepless dimming via integrated touch control down to 10%.

**Input Voltage:**

120V

**Flicker:**

≤30%

**Construction**

**Operating Temperature Range:**

-4°F - 104°F (-20°C - 40°C)

**Size:**

18"x32"

**Illuminated Width:**

1.10"

**Shape:**

Rectangle

**Finish:**

Aluminum

**Enclosure Material:**

Aluminum

**Style:**

Frameless

**Lens:**

Frosted lens for smooth diffused light output

**Defogger:**

Yes, integrated touch control activates anti-fog feature to reduce mirror fogging.

**Memory Function:**

Yes, memory function allows light level and CCT settings to be stored after 8 seconds.

**LED Characteristics**

**Beam Angle:**

25° - 45&deg ;±10°

**Color Temperature:**

Field adjustable via integrated touch control 2700/4000/6500K

**Color Accuracy (CRI):**

90 CRI

**R9 Value:**

High color performance with R9 greater than 50

**Color Consistency:**

<4-step MacAdam Ellipse binning to achieve consistent fixture-to-fixture color

**Technical Specifications (continued)****Installation****Mounting:**

Wall mount

**Compliance****ETL Listed:**

This product has been tested by Intertek and found in compliance with accepted national standards.

**Environment:**

Suitable for use indoors in dry, or damp environments.

**IP Rating:**

IP44

**Energy Star Approved:**

No

**DLC Listed:**

This product family is listed with the DesignLights Consortium (DLC). Individual SKUs within this family may carry either a DLC Standard or DLC Premium qualification. Please refer to the individual product specification sheet or the DLC Qualified Products List (QPL) at [designlights.org](http://designlights.org) to confirm the qualification status of a specific SKU prior to specification or purchase.

**Certification Model Number:**

LM1832

**California Title 20 Compliant:**

No

**California Title 24 JAB Compliant:**

Can be used to conform with the requirements of California Title 24 Part 6.

**California Energy Commission (CEC) Status:**

Lawful for Sales in California

**IESNA LM-79 & LM-80 Testing:**

RAB LED luminaires and LED components have been tested by an independent laboratory in accordance with IESNA LM-79 and LM-80.

**RoHS:**

Mercury and UV free. RoHS-compliant components.

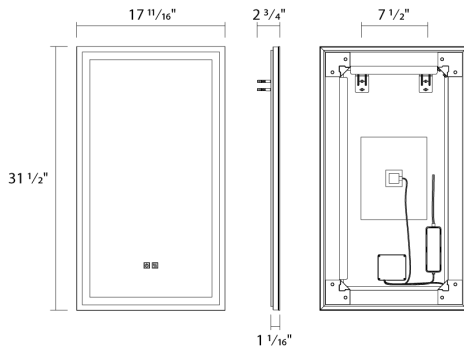
**FCC:**

Complies with Part 15 of the FCC Rules

**Other****3-Year Limited Warranty:**

The RAB 3-year, limited warranty covers light output, driver performance and paint finish. RAB's warranty is subject to all terms and conditions found at [rablighting.com/warranty](http://rablighting.com/warranty)

Dimensions



Features

- Field-adjustable color temperature via integrated touch control  
2700/4000/6500K
- Touch-activated, anti-fog function keeps mirror clear during and after showers
- Memory function restores last used light level and CCT settings
- Frosted lens for smooth diffused light output
- 50,000-hr. lifespan, Title 24, 3-year limited warranty

Ordering Matrix

Family	Shape	Size	CRI/Color Temp	Driver
LM		1832		
	Blank = Rectangle E = Ellipse	4836 = 48" x 36" 2432 = 24" x 32" 7236 = 72" x 36" 2436 = 24" x 36" 1832 = 18" x 32"	Blank = 90 CRI, 2700/4000/6500K CCT Adjustable	Blank = 120V, Stepless Dimming