



Premium PAR38 Flood with large, molded high temperature black silicone gasket that totally seals lamp. Die cast aluminum housing. EZ Locknut. Suitable for mounting within 4' of the ground. PAR38 or PAR20, 150 Watt max. Lamp not supplied.

Color: Bronze

Weight: 0.8 lbs

Project:

Type:

Prepared By:

Date:

### Lamp Info

Type	PAR20
Watts	150W
Shape/Size	N/A
Base	N/A
ANSI	N/A
Hours	2,500
Lamp Lumens	N/A
Efficacy	N/A

### Ballast Info

Type	N/A
120V	N/A
208V	N/A
240V	N/A
277V	N/A
Input Watts	N/A

## Technical Specifications

### Compliance

#### UL Listed:

Suitable for wet locations

### Electrical

#### Sockets:

Porcelain with all copper current carrying components and spring loaded center contact

### Construction

#### Swivels:

Fully adjustable with sure-grip locknuts. 1/2" NPS threaded arm with locking swivel fits all standard mounting covers.

#### Housings:

Precision die-cast aluminum. Tuffy flood is molded plastic.

### Optical

#### Lamp:

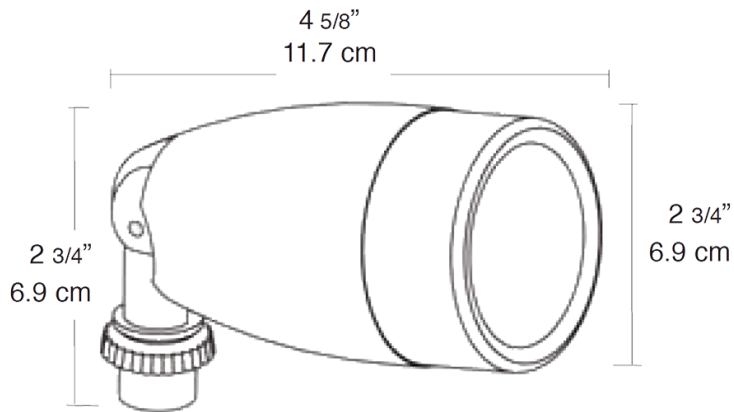
PAR38 or PAR20, 150 watt max. lamp not supplied.

### Other

#### Buy American Act Compliance:

RAB values USA manufacturing! Upon request, RAB may be able to manufacture this product to be compliant with the Buy American Act (BAA). Please contact customer service to request a quote for the product to be made BAA compliant.

## Dimensions



## Features

- Molded, high temperature silicone gasket
- EZ Grip locknut matches fixture finish and can be adjusted with fingers, pliers or a screwdriver
- Rugged heavy sand die cast aluminum housing with durable powder coating
- Sockets have all copper current carrying components
- Fully adjustable swivel with sure-grip locks
- Mounting arms have 1/2" threads