

INSTRUCTIONS

FERN® LFLED® INSTALLATION

RAB®

RAB Lighting is committed to creating high-quality, affordable, well-designed and energy-efficient LED lighting and controls that make it easy for electricians to install and end users to save energy. We'd love to hear your comments. Please call the Marketing Department at 888-RAB-1000 or email: marketing@rablighting.com



IMPORTANT

READ CAREFULLY BEFORE INSTALLING FIXTURE. RETAIN THESE INSTRUCTIONS FOR FUTURE REFERENCE.

RAB fixtures must be wired in accordance with the National Electrical Code and all applicable local codes. Proper grounding is required for safety. THIS PRODUCT MUST BE INSTALLED IN ACCORDANCE WITH THE APPLICABLE INSTALLATION CODE BY A PERSON FAMILIAR WITH THE CONSTRUCTION AND OPERATION OF THE PRODUCT AND THE HAZARDS INVOLVED.

WARNING: Make certain power is OFF before installing or maintaining fixture. No user serviceable parts inside.

WARNING: MAX 12VAC ONLY.

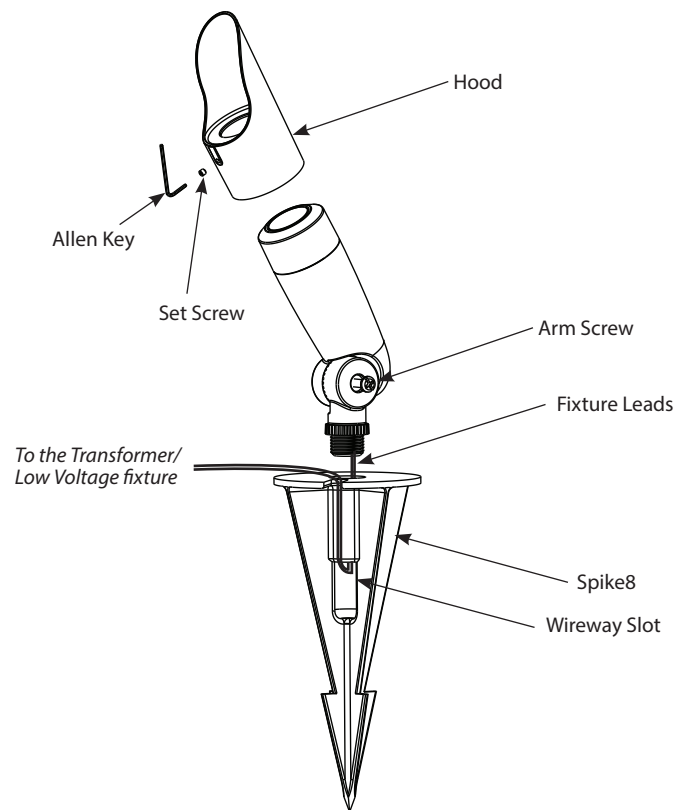
WARNING: The main low voltage cable is intended for shallow burial - less than 6 inches (152mm).

WARNING: Risk of Electric Shock. Install all luminaires 10 feet (3.05 m) or more from a pool, spa, or fountain

GROUND MOUNTING

To mount LFLED series, follow the steps below.

1. Hammer **Spike8** into desired location on ground in such a way that the **Wireway Slot** is not underground yet.
Note - To avoid damage to Spike8, place a board on top of Spike8 while hammering.
2. Feed **Fixture Leads** into the **Spike8**. Pull **Fixture Leads** through **Wireway Slot** as shown in figure and complete electrical connections using RAB recommended connectors (*ordered separately*) to transformer (*ordered separately*) or Low Voltage Fixture.
Note - LFLED series is supplied with 56 inches of Fixture Leads out of the fixture.
3. Thread and secure fixture onto **Spike8**. Be careful not to pinch wires.
4. Carefully hammer the **Spike8** flush into the ground without damaging the **Fixture Leads**.
WARNING: To prevent wiring damage or abrasion, do not expose wiring to edges of sharp objects.
5. Install **Hood** on fixture if desired, and tighten **Set Screw** using **Allen Key** (*supplied*).
6. Aim fixture in the desired location and tighten **Arm Screw**.



INSTRUCTIONS

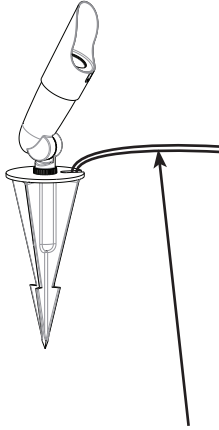
FERN® LFLED® INSTALLATION

RAB®

RAB Lighting is committed to creating high-quality, affordable, well-designed and energy-efficient LED lighting and controls that make it easy for electricians to install and end users to save energy. We'd love to hear your comments. Please call the Marketing Department at 888-RAB-1000 or email: marketing@rablighting.com

WIRING

The LFLED series permits operation **only at 12 VAC**. Wire fixture using UL approved wire connectors (*ordered separately*) for SPT-1 cord.



Use UL approved wiring connectors for SPT-1 cord

CLEANING & MAINTENANCE

CAUTION: Be sure fixture temperature is cool enough to touch. Do not clean or maintain while fixture is energized.

1. Lens should be washed in a solution of warm water and any mild, non abrasive household detergent, rinsed with clean water and wiped dry.
2. Do not open fixture to clean the LED. Do not touch the LED.

TROUBLESHOOTING

1. Check that the voltage at fixture is correct. Refer to wiring directions.
2. Keep leaves and debris out of hood.

ACCESSORIES

Following accessories are ordered separately:

FERNFCC	Fixture to Cable Connector
FERNCCC	Cable to Cable Connector
CORD16/12V-100	w16GA SPT-2W 12V 3.7A 100FT cord
SPIKE14	14 inches Spike
RTX12-75-TPC Photocell	75W Transformer with Timer and Swivel
RTX12-100-TPC Photocell	100W Transformer with Timer and Swivel

RAB®

© 2023 RAB LIGHTING Inc.

LFLED-IN-0423
73457-RAB

Easy Answers

rablighting.com
Visit our website for product info

Tech Help Line
Call our experts: 888 722-1000

e-mail
Answered promptly - sales@rablighting.com

Free Lighting Layouts
Answered online or by request