



LED Floodlights for solar applications or other 10-30 VDC systems. Perfect for off-grid, remote-area lighting. Up to 85% more efficient than line voltage AC solutions. Solar panel, battery and controls by others.

Color: White

Weight: 1.6 lbs

<b>Project:</b>	<b>Type:</b>
<b>Prepared By:</b>	<b>Date:</b>

Driver Info		LED Info	
Type	DC to DC	Watts	5W
120V	N/A	Color Temp	5000K (Cool)
208V	N/A	Color Accuracy	68 CRI
240V	N/A	L70 Lifespan	100,000 Hours
277V	N/A	Lumens	299 lm
Input Watts	5.1W	Efficacy	58.6 lm/W

**Technical Specifications**

**Compliance**

**UL Listed:**

Suitable for wet locations. Suitable for ground mounting.

**IESNA LM-79 & lm-80 Testing:**

RAB LED luminaires and LED components have been tested by an independent laboratory in accordance with IESNA lm-79 and lm-80

**Electrical**

**Driver:**

Constant Current, Class 2, 100-240V, 50-60Hz, 100-240VAC 0.18A.

**Electrical Input Specifications:**

MaxW = 5.1W, Input Volts = 10-30V DC, Input Amps = 0.51, 0.17A.

**Performance**

**Lifespan:**

100,000-Hour LED lifespan based on IES LM-80 results and TM-21 calculations

**Optical**

**Spot Lens:**

Optional spot lens enables a tool-less conversion to an 18° NEMA 3x3 spot. Great for accent lighting or grazing buildings for an artistic touch. Spot reflector kit available here.

**NEMA Type:**

4H x 4V with 44° beam angle

**Construction**

**Lens:**

Microprismatic diffusion lens for smooth and even light distribution

**Cold Weather Starting:**

The minimum starting temperature is -40°C (-40°F)

**Maximum Ambient Temperature:**

Suitable for use in up to 40°C (104°F)

**Housing:**

Precision die-cast aluminum housing, hood and mounting arm

**Gaskets:**

High-temperature Silicone

**Finish:**

Formulated for high durability and long-lasting color

**Green Technology:**

Mercury and UV free. RoHS-compliant components.

**LED Characteristics**

**Lumen Maintenance:**

100,000 hours Life Based on lm-80 Tests

**Color Consistency:**

7-step MacAdam Ellipse binning to achieve consistent fixture-to-fixture color

**Color Stability:**

LED color temperature is warranted to shift no more than 200K in color temperature over a 5-year period

**Color Temperature:**

5000K

**Color Uniformity:**

RAB's range of Correlated Color Temperature follows the guidelines of the American National Standard for (SSL) Products, ANSI C78.377-2017.

**Other**

**Warranty:**

RAB warrants that our LED products will be free from defects in materials and workmanship for a period of five (5) years from the date of delivery to the end user, including coverage of light output, color stability, driver performance and fixture finish. RAB's warranty is subject to all terms and conditions found at [rablighting.com/warranty](http://rablighting.com/warranty).

**Technical Specifications (continued)**

**Patents:**

The design of the LFLED is protected by Taiwan Patent 01510966 and pending patents in US, Canada, China, and Mexico

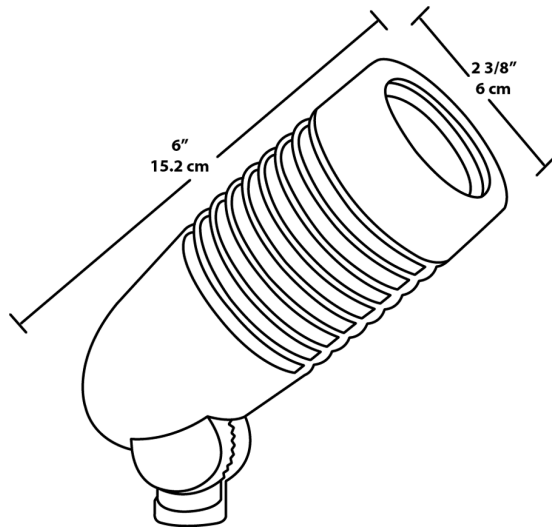
**Equipment:**

Solar panel, battery and controls by others

**Buy American Act Compliance:**

RAB values USA manufacturing! Upon request, RAB may be able to manufacture this product to be compliant with the Buy American Act (BAA). Please contact customer service to request a quote for the product to be made BAA compliant.

**Dimensions**



**Features**

- Low voltage DC
- Ideal for solar applications
- Up to 85% more energy efficient
- No energy-loss from DC-AC inverter
- Enables off-grid, remote-area lighting
- 5-Year, No-Compromise Warranty