

INSTRUCTIONS

LFLED® 4LV INSTALLATION



RAB Lighting is committed to creating high-quality, affordable, well-designed and energy-efficient LED lighting and controls that make it easy for electricians to install and end users to save energy. We'd love to hear your comments. Please call the Marketing Department at 888-RAB-1000 or email: marketing@rablighting.com



IMPORTANT

READ CAREFULLY BEFORE INSTALLING FIXTURE. RETAIN THESE INSTRUCTIONS FOR FUTURE REFERENCE.

RAB fixtures must be wired in accordance with the National Electrical Code and all applicable local codes. Proper grounding is required for safety. THIS PRODUCT MUST BE INSTALLED IN ACCORDANCE WITH THE APPLICABLE INSTALLATION CODE BY A PERSON FAMILIAR WITH THE CONSTRUCTION AND OPERATION OF THE PRODUCT AND THE HAZARDS INVOLVED.

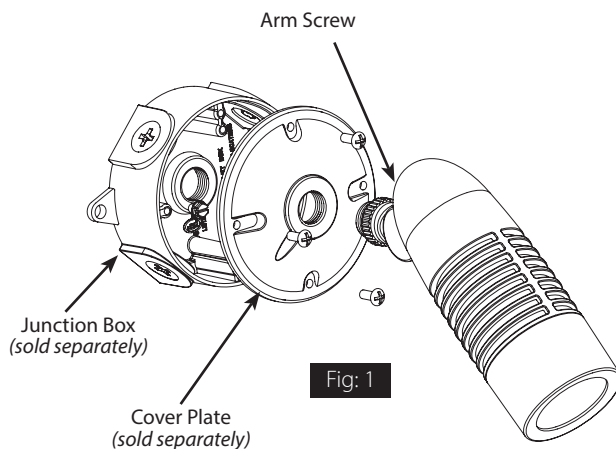
WARNING: Make certain power is OFF before installing or maintaining fixture. No user serviceable parts inside.

CAUTION: For proper weatherproof function all gaskets must be seated properly and all screws inserted and tightened firmly. Apply weatherproof silicone sealant around the edge of the wall cover plate or junction box. This is especially important with an uneven surface. Suitable for wet locations. Suitable for mounting within 1.2m (4ft) of the ground.

WALL MOUNTING

Mount to a weatherproof junction box and cover plate (*not provided*) as shown in Fig. 1. To ensure weatherproof seal, apply weatherproof silicone sealant around the edge of the wall cover plate or surface box. This is especially important with an uneven wall surface.

1. Seal arm thread using Teflon® tape or silicone sealant.
2. Thread fixture into **Cover Plate** (*sold separately*).
3. Connect wires as shown in the wiring diagram (*Fig. 3*).
4. Attach **Cover Plate** to **Junction Box** (*sold separately*).
5. Aim floodlight in the direction desired and tighten **Locknut** and **Arm Screw**.

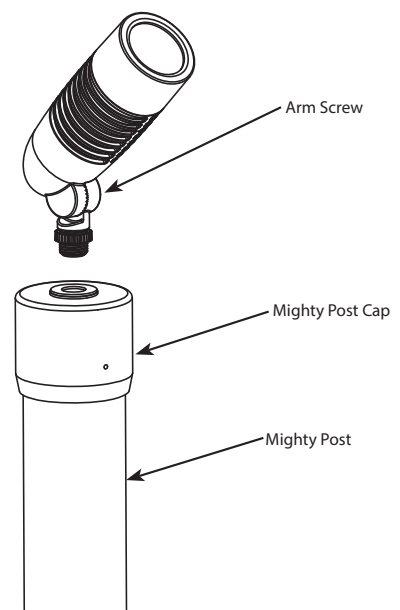


GROUND MOUNTING

Mount to a **Mighty Post** (*RAB Cat# MP19*) as shown in Fig. 2.

1. Thread fixture into **Mighty Post Cap**.
2. Connect wires as shown in the wiring diagram (*Fig. 3*) and place inside the **Mighty Post**.
3. Place **Mighty Post Cap** on the **Mighty Post**.
4. Aim floodlight in the direction desired and tighten **Locknut** and **Arm Screw**.

Fig: 2



INSTRUCTIONS

LFLED® 4LV INSTALLATION

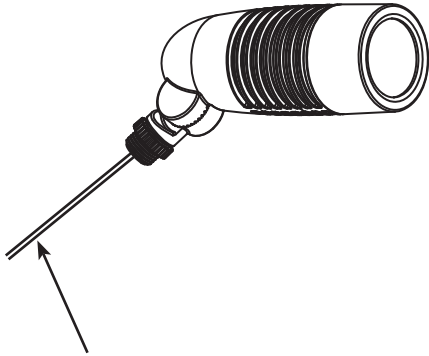


RAB Lighting is committed to creating high-quality, affordable, well-designed and energy-efficient LED lighting and controls that make it easy for electricians to install and end users to save energy. We'd love to hear your comments. Please call the Marketing Department at 888-RAB-1000 or email: marketing@rablighting.com

WIRING

The driver permits operation at **12 VAC ONLY**. Wire LFLED4LV using approved wiring devices for SPT-1 cord.

Fig: 3



Use approved wiring devices for SPT-1 cord.

CLEANING & MAINTENANCE

CAUTION: Be sure fixture temperature is cool enough to touch. Do not clean or maintain while fixture is energized.

1. Clean glass lens with non-abrasive glass cleaning solution.
2. Do not open the fixture to clean the LED. Do not touch the LED.

TROUBLESHOOTING

1. Check that the line voltage at the fixture is correct. Refer to wiring directions.
2. Keep leaves and debris out of hood.

ACCESSORIES

Reflector door lens kit can be ordered separately:

- LNSLFLED8 15° spot reflector, door, lens kit for LFLED4LV
- LSLFLED8 20° spot reflector, door, lens kit for LFLED4LV

Note: These instructions do not cover all details or variations in equipment nor do they provide for every possible situation during installation, operation or maintenance.



© 2023 RAB LIGHTING Inc.

LFLED4LV - IN - 0223
73105-RAB

Easy Answers

rablighting.com
Visit our website for product info

Tech Help Line
Call our experts: 888 722-1000

e-mail
Answered promptly - sales@rablighting.com

Free Lighting Layouts
Answered online or by request

RAB WARRANTY: RAB's warranty is subject to all terms and conditions found at rablighting.com/warranty.