



Compact 4 Watt LED floodlight works with 12V AC lighting systems. Perfectly suited for small-scale landscape lighting applications.

Color: Bronze

Weight: 1.6 lbs

<b>Project:</b>	<b>Type:</b>
<b>Prepared By:</b>	<b>Date:</b>

Driver Info		LED Info	
Type	Constant Current	Watts	4W
120V	N/A	Color Temp	3000K (Warm)
208V	N/A	Color Accuracy	83 CRI
240V	N/A	L70 Lifespan	100,000 Hours
277V	N/A	Lumens	369 lm
Input Watts	4.6W	Efficacy	80.2 lm/W

## Technical Specifications

### Compliance

#### UL Listed:

Suitable for wet locations. Suitable for ground mounting.

### Optical

#### NEMA Type:

NEMA Beam Spread of 4H x 4V

#### Spot Lens:

Optional spot lens enables a tool-less conversion to a NEMA Type 3H x 3V. Great for accent lighting or grazing buildings for an artistic touch. [Spot reflector kit available here.](#)

#### Narrow Spot Lens:

Optional narrow spot lens enables a tool-less conversion to a NEMA Type 3H x 2V. Great for accent lighting or grazing buildings for an artistic touch. [Narrow spot reflector kit available here.](#)

### Construction

#### Lens:

Microprismatic diffuser produces a smooth distribution and low glare

#### Cold Weather Starting:

The minimum starting temperature is -40°C (-40°F)

#### Maximum Ambient Temperature:

Suitable for use in up to 40°C (104°F)

#### Thermal Management:

Optimized using computational fluid dynamics software to ensure long LED and driver lifespan

#### Housing:

Precision die-cast aluminum housing, lens frame and mounting arm

#### Gaskets:

High-temperature silicone

#### Finish:

Formulated for high durability and long-lasting color

#### Green Technology:

Mercury and UV free. RoHS-compliant components.

### Performance

#### Lifespan:

100,000-Hour LED lifespan based on IES LM-80 results and TM-21 calculations

### LED Characteristics

#### LED:

Multi-chip, high-output, long-life LED

#### Color Consistency:

4-step MacAdam Ellipse binning to achieve consistent fixture-to-fixture color

#### Color Stability:

LED color temperature is warrantied to shift no more than 200K in color temperature over a 5-year period

#### Color Uniformity:

RAB's range of Correlated Color Temperature follows the guidelines of the American National Standard for (SSL) Products, ANSI C78.377-2017.

### Electrical

#### Driver:

Class 2, 50/60 Hz, 12VAC Max, 0.5A

#### Voltage:

12V AC

### Other

#### Wiring:

30" SPT1 zip cord included. Transformers provided by others.

## Technical Specifications (continued)

### Warranty:

RAB warrants that our LED products will be free from defects in materials and workmanship for a period of five (5) years from the date of delivery to the end user, including coverage of light output, color stability, driver performance and fixture finish. RAB's warranty is subject to all terms and conditions found at [rablighting.com/warranty](http://rablighting.com/warranty).

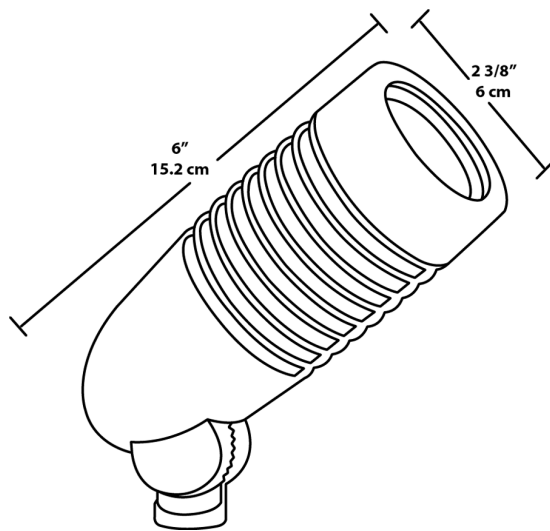
### Patents:

The design of the LFLED is protected by Taiwan Patent 01510966 and pending patents in US, Canada, China, and Mexico

### Buy American Act Compliance:

RAB values USA manufacturing! Upon request, RAB may be able to manufacture this product to be compliant with the Buy American Act (BAA). Please contact customer service to request a quote for the product to be made BAA compliant.

## Dimensions



## Features

- Works with existing 12V AC landscape lighting systems
- Replaces 35W MR16 halogen
- Reduces energy consumption by 85%
- Optional spot and narrow spot reflector kits available
- 100,000-Hour LED lifespan

## Ordering Matrix

Family	Wattage	Color Temp	Type	Finish
LFLED	4	Y	LV	A
	4 = 4W	Blank = 4800K Cool N = 4000K Neutral Y = 3000K Warm	LV = Low Voltage	A = Bronze B = Black VG = Verde Green W = White