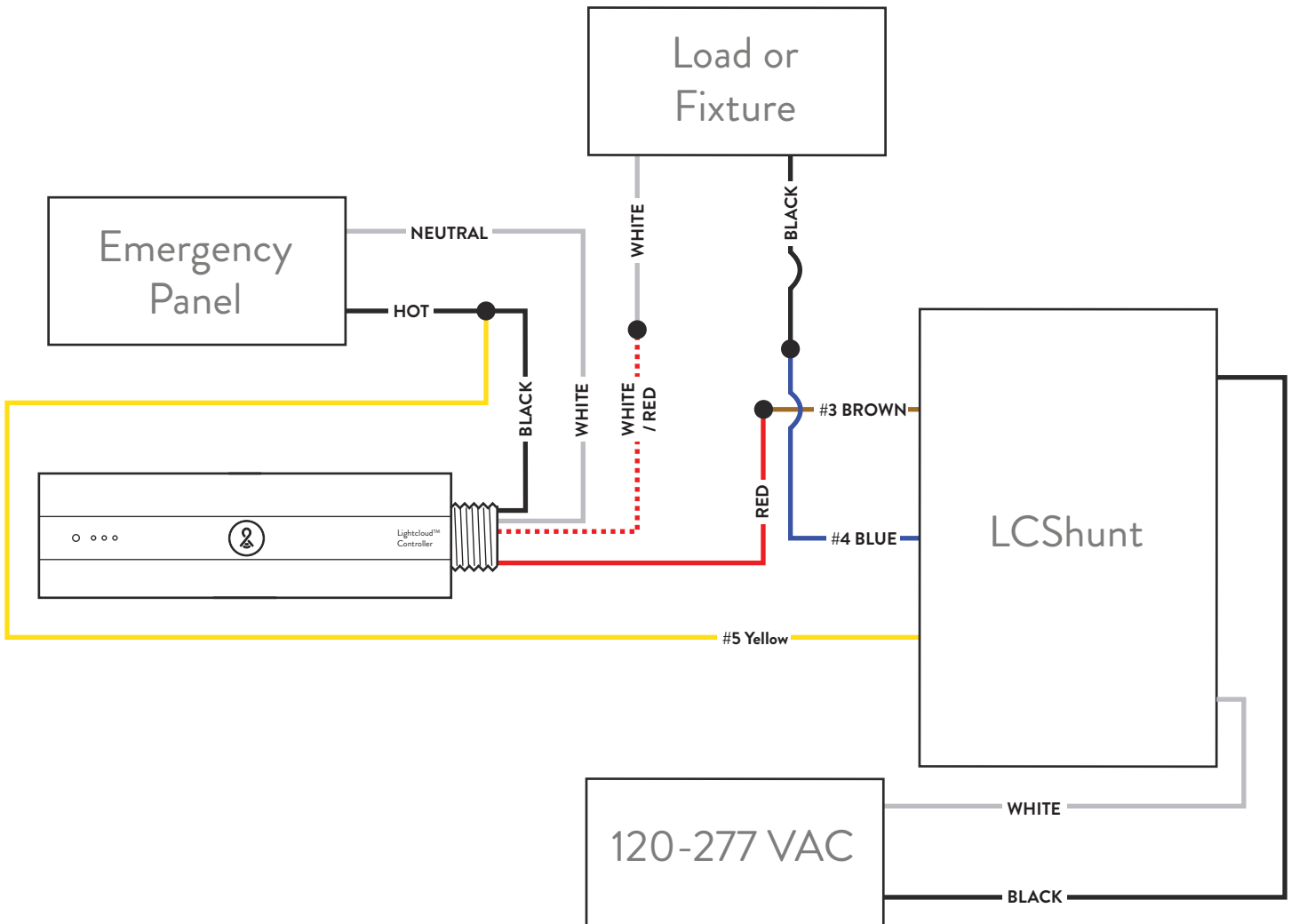




# Lightcloud Emergency Shunt On/Off

Lightcloud Controller emergency fixture wiring with LCShunt for on/off operation.



**Note:** The LC SHUNT includes a 20A rated high voltage Form C (N/O+N/C) relay and is UL924 Listed for emergency lighting control applications. The LC SHUNT can bypass a line voltage switch or dimmer, ensuring that an emergency fixture illuminates at full brightness during a utility power interruption.



Any wires not in use must be capped off or otherwise insulated.  
This product should only be installed by a qualified electrician and in compliance with local and national electrical codes.

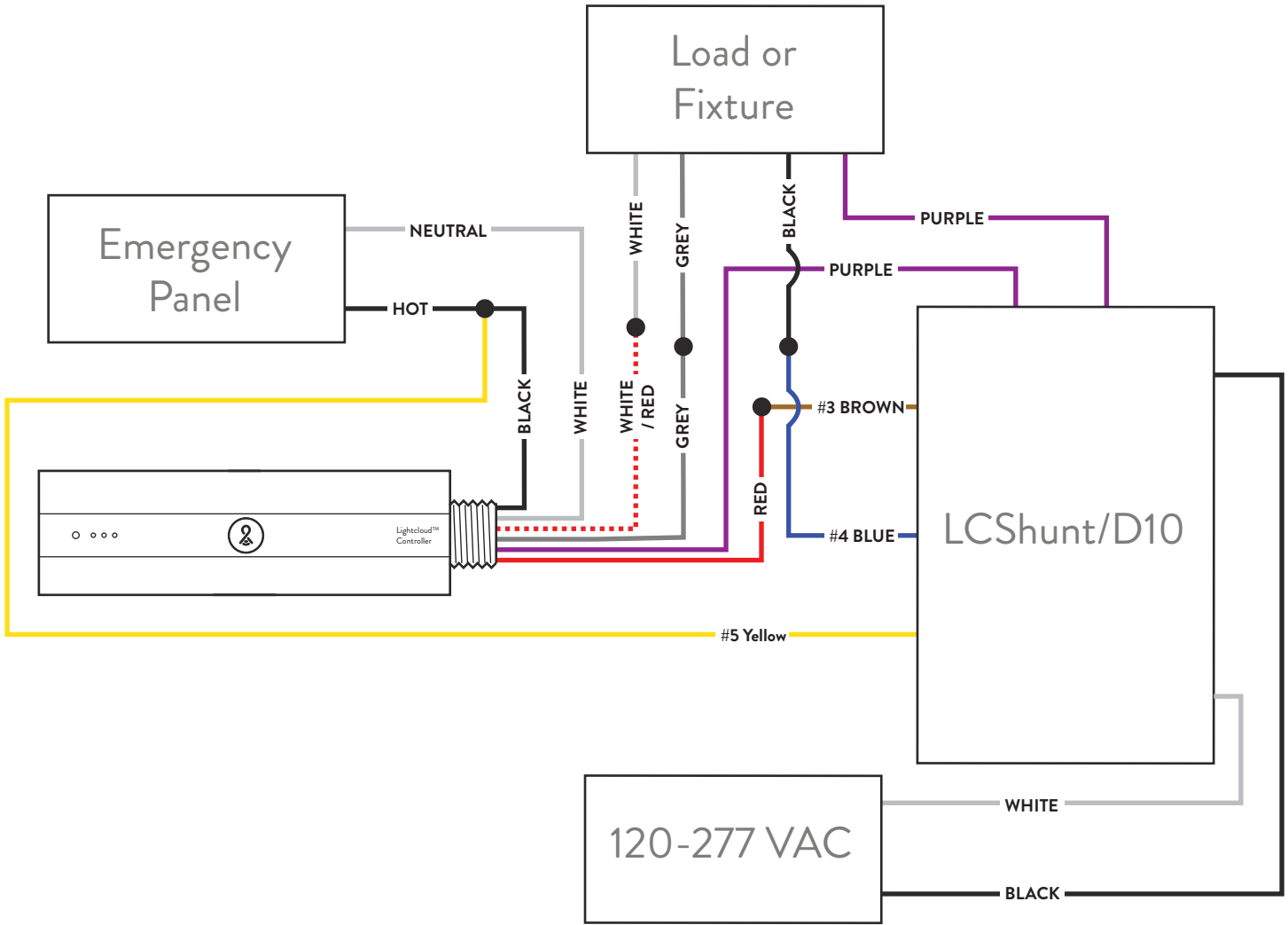
**RAB**

**Controls**



# Lightcloud Emergency Shunt Dimming

Lightcloud Controller emergency fixture wiring with LCShunt/D10 for on/off and 0-10V dimmable operation.



**Note:** The LESHUNT includes a 20A rated high voltage Form C (N/O+N/C) relay and a low voltage Form A (N/O) relay and is UL924 Listed for emergency lighting control applications. The LESHUNT can simultaneously bypass both a line voltage switch and a 0-10V dimming signal, ensuring that an emergency fixture illuminates at full brightness during a utility power interruption.



Any wires not in use must be capped off or otherwise insulated. This product should only be installed by a qualified electrician and in compliance with local and national electrical codes.

**RAB**

**Controls**