



Project:	Type:
Prepared By:	Date:

Technical Specifications

Compliance

UL Listed:

Suitable for indoor and outdoor use

IP Rating:

Ingress protection rating of IP66 for dust and water

Electrical

Installation:

All Lightcloud components should be installed by a licensed electrician in accordance with local codes.

Storage Temperature Range:

-40°C to 85°C (-40°F to 185°F)

Product Details

Application:

Standard (8-12 ft mounting height)

Mounting Type:

Fixture/Junction Box (1/2" NPT)

Construction

Height Adjuster:

Extends sensor downwards, adjustable from 2.87" to 3.78"

Operating Temperature Range:

-20°C - 40°C (-4°F - 104°F)

Maximum Relative Humidity:

95%

Other

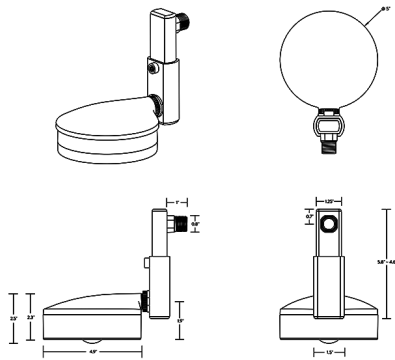
Warranty:

10-year full hardware warranty with 100% repair/replacement coverage for all properly installed devices. [See Lightcloud Warranty Terms.](#)

Buy American Act Compliance:

RAB values USA manufacturing! Upon request, RAB may be able to manufacture this product to be compliant with the Buy American Act (BAA). Please contact customer service to request a quote for the product to be made BAA compliant.

Dimensions



Features

- Arm attachment for LCSense, LCSense15/D10, and LCHBSense15/D10
- Extends sensor downwards, adjustable from 2.87" to 3.78">
- Suitable for Standard Height and High Bay Applications
- Indoor and Outdoor Use Only
- Sensor not included