



The Luminaire Controller offers wireless switching, 0-10V dimming, and power monitoring with a smaller footprint for 3A applications.

Color: White

Weight: 0.4 lbs

<b>Project:</b>	<b>Type:</b>
<b>Prepared By:</b>	<b>Date:</b>

**Technical Specifications**

**Compliance**

**UL Listed:**

Suitable for indoor and outdoor use.

**Plenum Rated**

**Electrical**

**Dimming Driver:**

Driver includes dimming control wiring for 0-10V dimming systems. Requires separate 0-10V DC dimming circuit. Can dim as low as 1%. Actual dimming range is defined by driver.

**Installation:**

All Lightcloud components should be installed by a licensed electrician in accordance with local codes.

**Input Voltage:**

120V through 277V

**Frequencies:**

50/60 Hz

**Electrical Ratings:**

<0.6W(Standby)-1W(Active)

**Load Switching Capacity:**

LED, CFL, Tungsten 120/277VAC 500W  
Magnetic 120VAC 264W, 277VAC 500VA  
Resistive/Inductive 120VAC 500W

**Construction**

**Operating Temperature Range:**

-40°C to 50°C

**Storage Temperature Range:**

-40°C to 80°C

**Maximum Relative Humidity:**

85%

**Mounting:**

In a lighting fixture

**Wire Gauge:**

4x6 in 18AWG High-voltage pigtails, stripped  
2x12 in 22AWG Low-voltage pigtails, 300V insulation, stripped

**Wireless Range**

**Line-of-Site:**

1000 feet

**Obstructions:**

100 feet

**Other**

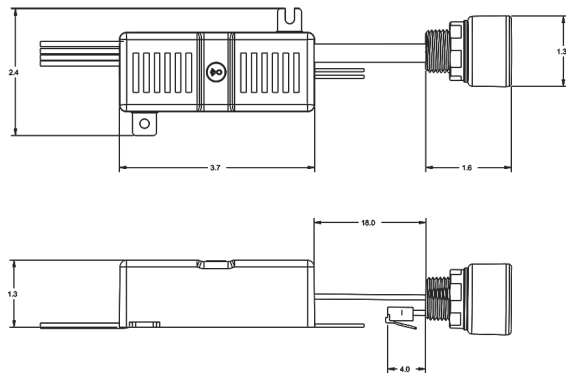
**Warranty:**

10 Year full hardware warranty with 100% repair or replacement coverage for all properly installed devices. See [Lightcloud Warranty Terms](#).

**Buy American Act Compliance:**

RAB values USA manufacturing! Upon request, RAB may be able to manufacture this product to be compliant with the Buy American Act (BAA). Please contact customer service to request a quote for the product to be made BAA compliant.

### Dimensions



### Features

Wireless switching, 0-10V dimming, and power monitoring with a smaller footprint for 3A applications

Easy setup - simply power on, confirm device connectivity and call 844-LIGHTCLOUD

Small profile for concealed installations

Cloud-based management - no software to install or maintain

Connects to Lightcloud Gateway and other Lightcloud devices

Connects via a secure, encrypted, and self-healing 2.4 GHz wireless mesh network

Repeater Mode to extend range of wireless mesh network

If power to Controller is lost, notification is shown in the Lightcloud application

If communication is lost, Controller can fall back to a customizable emergency state