



Project:	Type:
Prepared By:	Date:

Technical Specifications

Performance

Product Type:

Wired Sensor

Description:

Passive infrared-technology standalone motion detector and daylight sensor that can switch and dim both local and remote circuits. The sensor requires a compatible Lightcloud or Lightcloud Blue Controller.

Lightcloud

Lightcloud:

Lightcloud and Lightcloud Blue are two separate wireless network lighting control platforms. Devices can be quickly and easily commissioned for residential and large commercial applications using a mobile or web app. Each device in a system can communicate with any other device for simple, wireless control.

DLC system - N1XMLOEATBA

[Learn more at Ww.lightcloud.com](http://Ww.lightcloud.com)

Gateway Required:

Lightcloud: Yes

Lightcloud Blue: No

Communication Protocol:

Lightcloud: Zigbee

Lightcloud Blue: Bluetooth Mesh

Range:

Lightcloud: Lightcloud: Up to 100 feet between standard building materials; Up to 1,000 feet clear line of sight.

Lightcloud Blue: Lightcloud Blue: Up to 60 feet between standard building materials; Up to 200 feet clear line of sight.

Spacing Criteria:

Devices should be placed within the specified range to communicate within the Bluetooth Mesh network

Electrical

Connection Type:

RJ09

Input Voltage:

5V

Operating Frequency:

DC

Low Voltage:

Only connect to compatible Lightcloud or Lightcloud Blue Controllers.

Operating Temperature:

-4°F to 104°F (-20°C to 40°C)

Max Mounting Height:

8 ft to 12 ft

Detection Range:

20 ft diameter at 9 ft mounting height

Cord Length:

6 ft

Sensor Settings

Default Setting:

Uncommissioned State:
 Sensor Status: Enabled
 Motion Sensitivity: High
 Brightness when triggered : 100%
 Hold time: 1 minute
 Standby to dim: 20%
 Standby time: 1 minute
 When vacant: Off

Commissioned State:

Sensor Status: Disabled, once enabled the following default are set.
 Motion Sensitivity: High
 Brightness when triggered: Last on status
 Hold time: 20 minutes
 When vacant: Off

Sensing Type:

Occupancy or Vacancy

Occupied Actions:

On or On at a Dim Level

Vacant Options:

Off or On at a Dim Level

Technical Specifications (continued)**Occupancy Timeout:**

1 minute to 240 minutes

Daylight Sensing:

The sensor will determine to trigger the light(s) on or not based on the daylight threshold level set in the Lightcloud Blue mobile app.

Daylight Threshold:

150 lux to 1500 lux

Construction**Finish:**

White

Lens Finish:

White

Shape:

Round

Enclosure Material:

Plastic

Compliance**Listings:**

UL Listed

Environment:

Ingress protection rating of IP66 for dust and water. Suitable for dry, damp, or wet environments for indoor and outdoor applications.
*IP66 only applies to sensor, not the controller it is connected to.

DLC Listed:

This product is on the Design Lights Consortium (DLC) Qualified Products List and is eligible for rebates from DLC Member Utilities. Designed to meet DLC 5.1 requirements.
DLC Product Code: N1XMLOEATBA
[Learn more about Lightcloud.com.](#)

DLC ID:

N1XMLOEATBA

T20 Compliant:

Not applicable

California Title 24 JA8 Compliant:

Not applicable

California Energy Commission (CEC) Status:

Lawful for Sales in California

RoHS:

Mercury and UV free. RoHS-compliant components.

FCC:

Complies with Part 15B of the FCC Rules

Other**Compatible Products:**

LCBLUECONTROL/W
LC Blue Luminaire Controller
LCLC/K
LC 3A Controller Black
LCLC/W
LC 3A Controller White
LCCONTROL20/D10
LC 20A Controller Black
LCCONTROL20/D10/W
LC 20A Controller White
LCCONTROL/480/B
LC 480V Controller Black
LCCONTROL/480/W
LC 480V Controller White
LCCONTROL/MINI/K
LC Mini Controller Black
LCCONTROL/MINI/W
LC Mini Controller White

Warranty:

10-year full hardware warranty with 100% repair/replacement coverage for all properly installed devices. [See Lightcloud Warranty Terms.](#)

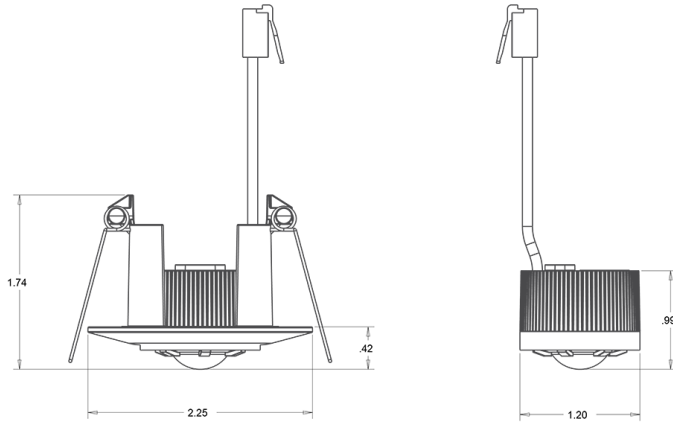
Note:

All values are typical (tolerance +/- 10%)

Buy American Act Compliance:

RAB values USA manufacturing! Upon request, RAB may be able to manufacture this product to be compliant with the Buy American Act (BAA). Please contact customer service to request a quote for the product to be made BAA compliant.

Dimensions

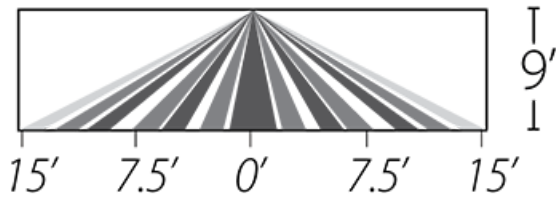


Features

- Passive infrared (PIR) motion detector
- Control individual or groups of Lightcloud or Lightcloud Blue devices
- Occupancy and vacancy sensing with adjustable sensitivity and timeouts
- Communicates over secure wireless mesh network - no internet required
- Requires compatible Lightcloud or Lightcloud Blue Controller
- Dual-technology motion detector and daylight sensor that can switch and dim both local and remote circuits.

Coverage Pattern

SIDE VIEW



TOP VIEW

