



UPC: 192552007399

Color: Black

Weight: 0.0 lbs

Project:	Type:
Prepared By:	Date:

**Technical Specifications**

**Performance**

**Product Type:**

Wired Sensor

**Description:**

Passive Infrared motion detector and daylight sensor that can switch and dim both local and remote circuits. For use with compatible Lightcloud Blue Controllers and fixtures.

**Lightcloud**

**Lightcloud Blue:**

Lightcloud Blue is a Bluetooth mesh wireless lighting control system that allows you to control RAB's various compatible devices. With RAB's patent-pending Rapid Provisioning technology, devices can be quickly and easily commissioned for residential and large commercial applications using the Lightcloud Blue mobile app. Each device in a system can communicate with any other device, eliminating the need for a Gateway or Hub and maximizing the control system's reach.

DLC system - N1XMLOEATBA

[Learn more at www.lightcloud.com](http://www.lightcloud.com)

**Gateway Required:**

No

**Communication Protocol:**

Bluetooth Mesh

**Range:**

Up to 60 feet between standard building materials.  
Up to 200 feet clear line of sight.

**Spacing Criteria:**

Lightcloud Blue devices should be placed within the specified range to communicate within the Bluetooth Mesh network.

**Electrical**

**Connection Type:**

RJ09

**Input Voltage:**

5V

**Operating Frequency:**

DC

**Low Voltage:**

Only connect to compatible Lightcloud Blue Controllers

**Operating Temperature:**

-4°F to 113°F (-20°C to 45°C)

**Max Mounting Height:**

8 ft to 12 ft

**Detection Range:**

20 ft diameter at 9 ft mounting height

**Cord Length:**

12 in

**Sensor Settings**

**Default Setting:**

Uncommissioned State:  
Sensor Status: Enabled  
Motion Sensitivity: High  
Brightness when triggered : 100%  
Hold time: 1 minute  
Standby to dim: 20%  
Standby time: 1 minute  
When vacant: Off

Commissioned State:

Sensor Status: Disabled, once enabled the following default are set.  
Motion Sensitivity: High  
Brightness when triggered: Last on status  
Hold time: 20 minutes  
When vacant: Off

**Sensing Type:**

Occupancy or Vacancy

**Occupied Actions:**

On or On at a Dim Level

**Vacant Options:**

Off or On at a Dim Level

**Occupancy Timeout:**

1 minute to 240 minutes

**Technical Specifications (continued)****Daylight Sensing:**

The sensor will determine to trigger the light(s) on or not based on the daylight threshold level set in the Lightcloud Blue mobile app.

**Daylight Threshold:**

150 lux to 1500 lux

**Construction****Finish:**

Black

**Lens Finish:**

White

**Shape:**

Rectangle

**Enclosure Material:**

Plastic

**Compliance****Listings:**

UL Listed

**Environment:**

Suitable for damp environments in indoor applications

**DLC Listed:**

This product is on the Design Lights Consortium (DLC) Qualified Products List and is eligible for rebates from DLC Member Utilities. Designed to meet DLC 5.1 requirements.

DLC Product Code: N1XMLOEATBA

[Learn more about Lightcloud.com.](#)

**DLC ID:**

N1XMLOEATBA

**Model Number for Certification:**

LCLCSENSE/P/EG/B/2

**T20 Compliant:**

Not applicable

**California Title 24 JA8 Compliant:**

Not applicable

**California Energy Commission (CEC) Status:**

Lawful for Sales in California

**RoHS:**

Mercury and UV free. RoHS-compliant components.

**FCC:**

Complies with Part 15B of the FCC Rules

**Other****Compatible Products:**

Must be connected to the LCBLUECONTROL/W on the:

SWISH Family

SWISHFA Family

RTLED Family

**Warranty:**

RAB warrants that our LED products will be free from defects in materials and workmanship for a period of three (3) years from the date of delivery to the end user, including coverage of light output, color stability, driver performance and fixture finish. RAB's warranty is subject to all terms and conditions found at [rablighting.com/warranty](http://rablighting.com/warranty).

**Note:**

All values are typical (tolerance +/- 10%)

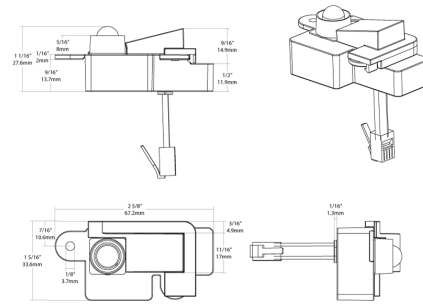
**Buy American Act Compliance:**

RAB values USA manufacturing! Upon request, RAB may be able to manufacture this product to be compliant with the Buy American Act (BAA). Please contact customer service to request a quote for the product to be made BAA compliant.

## Case and Pallet Dimensions

	QTY	LENGTH (in)	WIDTH (in)	HEIGHT (in)
CASE	120	16.54	13.58	9
PALLET	5	49.61	40.75	46.56

## Dimension



## Features

- Dual-technology motion detector and daylight sensor
- Compatible with Lightcloud Blue Controllers and fixtures, see compatibility list
- Direct Connect to the Lightcloud Blue mobile app via Bluetooth Mesh, no Gateway or Hub required
- Use mobile device to configure sensor settings for sensitivity, timeout and actions
- Choose sensing options between occupancy, vacancy or disable the sensor

## Ordering Matrix

Family	Sensor	Other Sensor	Application
LCLCSENSE	/P	/EG	/B/2

**/M** = Occupancy Sensor  
**/P** = Passive Infrared Sensor  
**EG** = Daylight Sensor  
**A** = Sensors for EZPAN  
**A/2** = Sensors for EZPAN  
**B** = Sensors for SWISH  
**B/2** = Sensors for SWISH