



The Luminaire Controller offers wireless switching, 0-10V dimming, and power monitoring with a smaller footprint for 3A applications.

Color: Black

Weight: 0.4 lbs

Project:	Type:
Prepared By:	Date:

Technical Specifications

Compliance

UL Listed:

Suitable for indoor and outdoor use.

Plenum Rated

Electrical

Dimming Driver:

Driver includes dimming control wiring for 0-10V dimming systems. Requires separate 0-10V DC dimming circuit. Can dim as low as 1%. Actual dimming range is defined by driver.

Installation:

All Lightcloud components should be installed by a licensed electrician in accordance with local codes.

Input Voltage:

120V through 277V

Frequencies:

50/60 Hz

Electrical Ratings:

<0.6W(Standby)-1W(Active)

Load Switching Capacity:

LED, CFL, Tungsten 120/277VAC 500W
Magnetic 120VAC 264W, 277VAC 500VA
Resistive/Inductive 120VAC 500W

Construction

Operating Temperature Range:

-40°C to 50°C

Storage Temperature Range:

-40°C to 80°C

Maximum Relative Humidity:

85%

Mounting:

In a lighting fixture

Wire Gauge:

4x6 in 18AWG High-voltage pigtails, stripped
2x12 in 22AWG Low-voltage pigtails, 300V insulation, stripped

Wireless Range

Line-of-Site:

1000 feet

Obstructions:

100 feet

Other

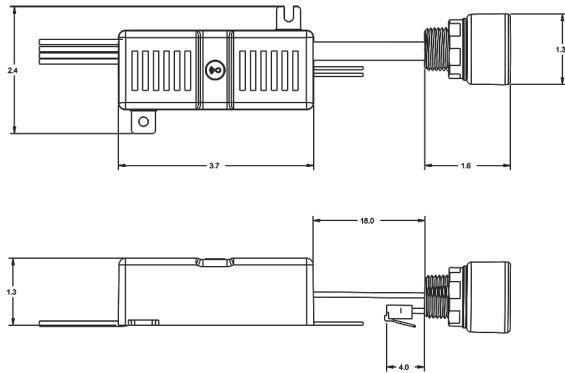
Warranty:

10 Year full hardware warranty with 100% repair or replacement coverage for all properly installed devices. See [Lightcloud Warranty Terms](#).

Buy American Act Compliance:

RAB values USA manufacturing! Upon request, RAB may be able to manufacture this product to be compliant with the Buy American Act (BAA). Please contact customer service to request a quote for the product to be made BAA compliant.

Dimensions



Features

Wireless switching, 0-10V dimming, and power monitoring with a smaller footprint for 3A applications

Easy setup - simply power on, confirm device connectivity and call 844-LIGHTCLOUD

Small profile for concealed installations

Cloud-based management - no software to install or maintain

Connects to Lightcloud Gateway and other Lightcloud devices

Connects via a secure, encrypted, and self-healing 2.4 GHz wireless mesh network

Repeater Mode to extend range of wireless mesh network

If power to Controller is lost, notification is shown in the Lightcloud application

If communication is lost, Controller can fall back to a customizable emergency state