



Lightcloud[®]
Controller

LCCONTROL20/D10

WE'RE HERE TO HELP:

1 (844) LIGHTCLOUD

1 (844) 544-4825
support@lightcloud.com

Hello

The Lightcloud Controller
is a remotely controlled
switch and 0-10V
dimming device.

Product Features

Wireless Control & Configuration

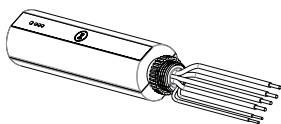
Switching up to 20A

0-10V Dimming

Power Monitoring

Contents

Lightcloud Controller



NPT Nut



O-ring



Wire Nuts

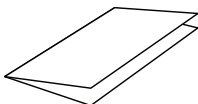


x 4



x 2

Instruction Manual



Specifications

PART NUMBER

LCCONTROL20/D10

INPUT

120-277VAC, 50/60Hz

<2W (Standby - 4W (Active))

MAXIMUM SWITCHED LOAD RATINGS

For Control of Magnetic, Electronic Ballast or LED

277VAC: 20A Magnetic/Resistive

240VAC: 5A Tungsten/Electronic, 20A FLA/
60 LRA, 2HP

120VAC: 15A Tungsten/Electronic, 1HP

OPERATING TEMPERATURE

-40°C to +40°C

OVERALL DIMENSIONS

1.55" diameter, 5.75" length

1/2" NPT Mount, Male

16AWG pigtails

WIRELESS RANGE

Line-of-Sight: 1000 feet

Obstructions: 100 feet

Class 2

IP66 Rated

Indoor and Outdoor Rated

Wet and Damp Location

Plenum Rated

What You Need



Lightcloud Gateway

A Lightcloud installation requires at least one Lightcloud Gateway to manage your devices.

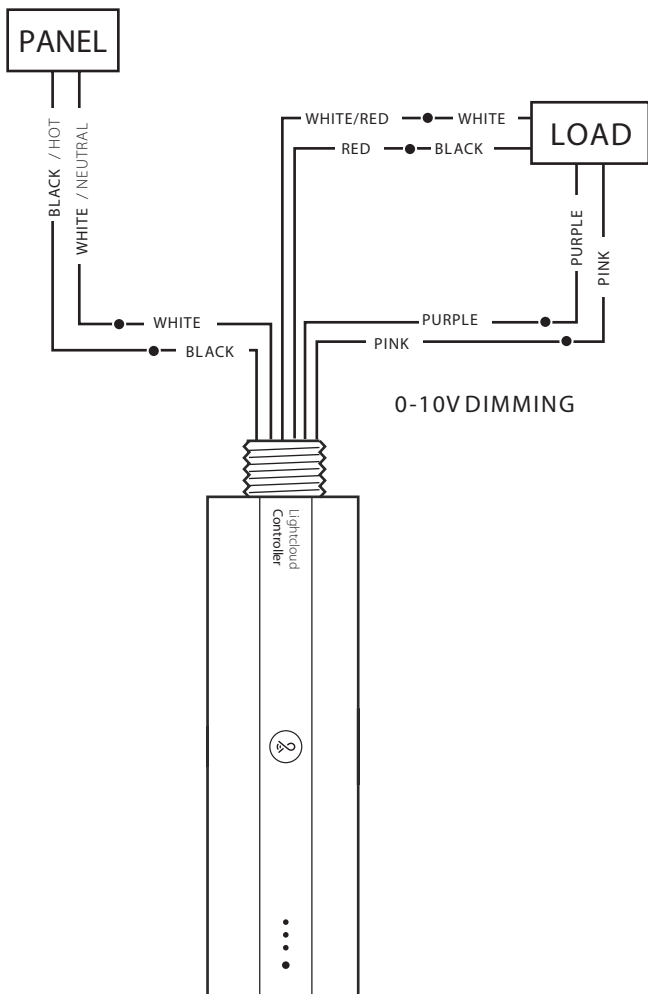
WE'RE HERE TO HELP:

1 (844) LIGHTCLOUD

or 1 (844) 544-4825

support@lightcloud.com

Wiring

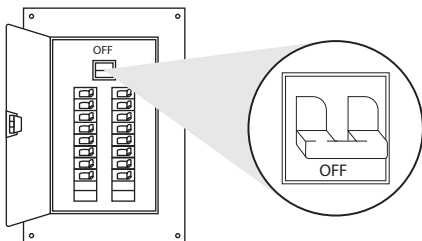


Setup & Installation

1 Turn Off Power



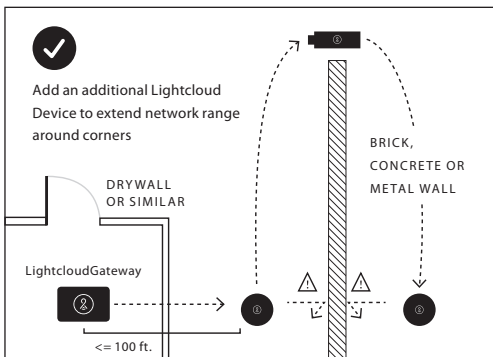
WARNING



1a Find a Suitable Location

Use these guidelines when installing devices:

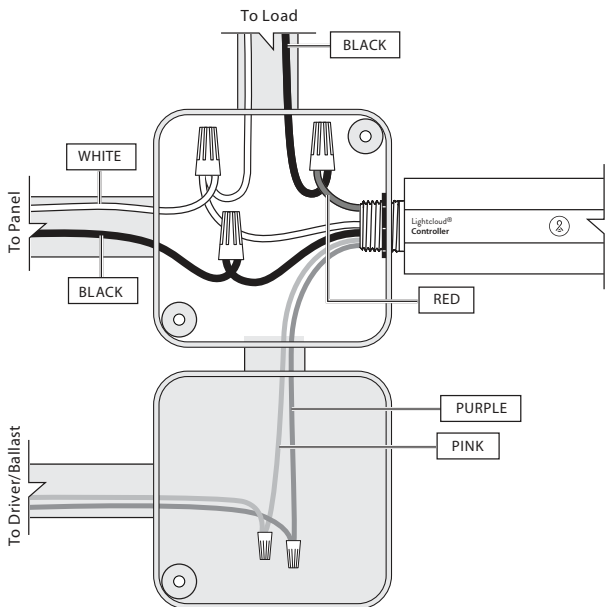
- If there is a clear line of sight between two Lightcloud devices, they can be placed up to 1000 feet apart.
- If the two devices are separated by ordinary drywall construction, try to keep them within 100 ft. of each other.
- Brick, concrete and steel construction may require additional Lightcloud devices to go around the obstruction.



Setup & Installation *(cont'd)*

② Install your Lightcloud Controller

2a Install at a Junction Box (Indoor/Outdoor)

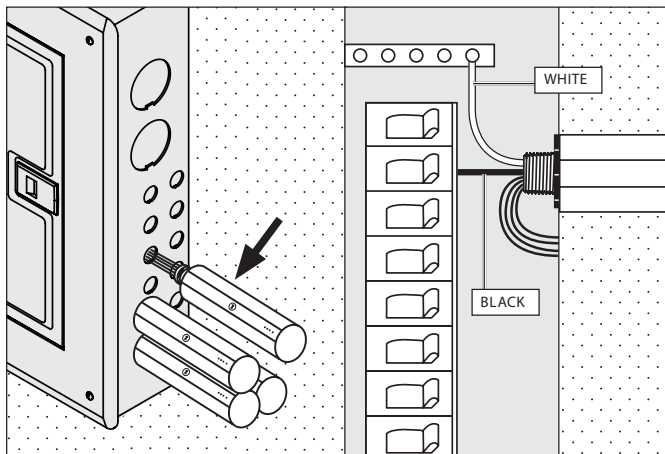


0 - 10V DIMMING

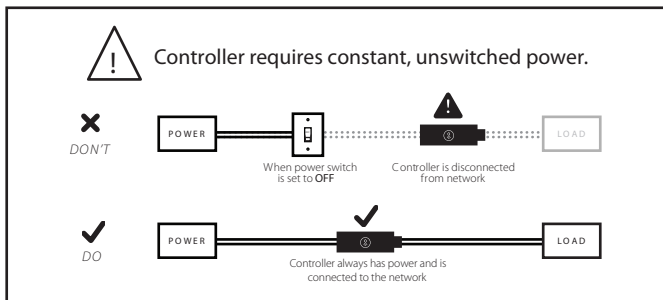
0-10V is a common method of low-voltage control of dimmable drivers and ballasts. **Purple:** 0-10V positive | **Pink:** 0-10V common

***NOTE:** The National Electrical Code requires that low-voltage wiring used in the same enclosure as high-voltage wiring have an equal or better insulation rating. You may need to complete your low-voltage wiring in another enclosure or use a partition.*

2b At Lighting Panel or Trough



Space and code allowing, you may install Lightcloud devices directly in your breaker box or lighting panel. Alternatively, break out lighting circuits and install Lightcloud devices in a separate trough.



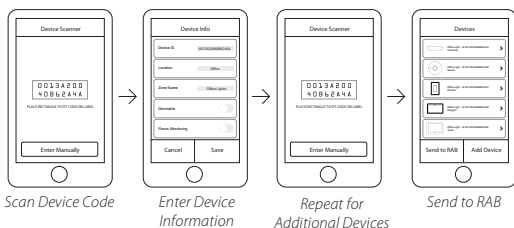
Setup & Installation (cont'd)

3 Labeling your Device

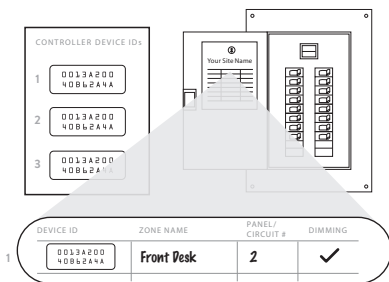
When installing devices, it's important to keep track of their Device IDs, installation locations, panel/circuit #s, dimming function, and any additional notes. To organize this information, use the Lightcloud Installer Application (A) or Device Table (B).

3a Lightcloud Installer Application

Install the LC Installer Application: LC Installer is available for iOS & Android.
Scan & Install Lightcloud Devices: Scan each device and assign to a room. It's recommended that each device is scanned just before or just after being wired so no devices are missed. The more notes that are given, the easier it is to commission the system.



3b Device Table



For setup and maintenance, we provide two Lightcloud Device Tables with the Gateway: one that you can attach to your panel and one to hand off to a building manager. Attach the Device Identification stickers included with each device to a row, then write in additional information, such as Zone name, Panel/Circuit Number, and whether or not a zone uses dimming.

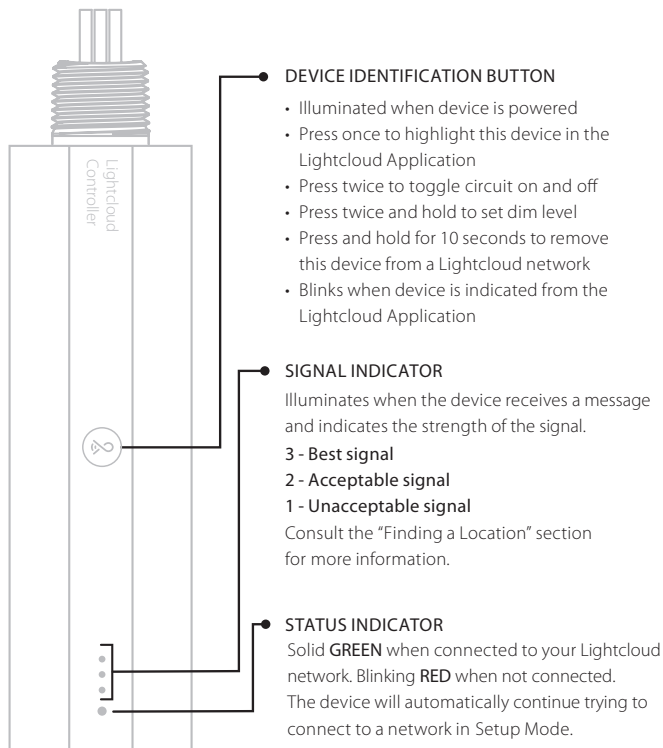
Send to RAB: Once all of the devices have been added and organized, submit the information for commissioning.

4 Power Up

To add new devices to your Lightcloud network, call RAB at 1 (844) LIGHTCLOUD, or email us at support@lightcloud.com.

5 Confirm Device Connectivity

Confirm Status Indicator is Solid Green (see details below)



6 Commission your devices

Log on to www.lightcloud.com or call 1 (844) LIGHTCLOUD

Functionality

Configuration

To configure Lightcloud products, use the Web Application (control.lightcloud.com) or call 1(844) LIGHTCLOUD.

WE'RE HERE TO HELP:

1 (844) LIGHTCLOUD

or 1 (844) 544-4825

support@lightcloud.com

Operating Modes

CONTROLLER: Provides switching and dimming for a single zone.

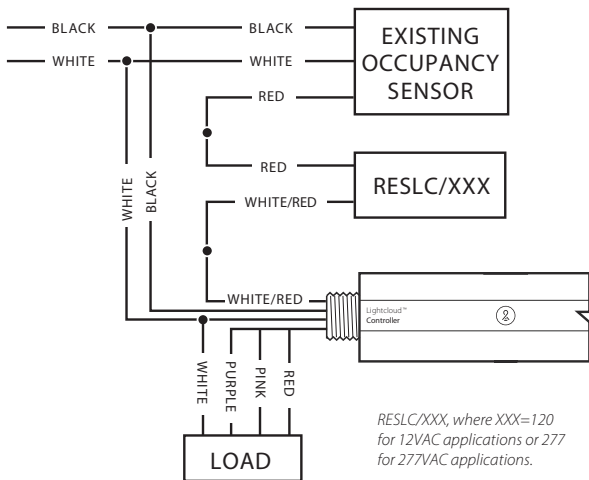
REPEATER: Extends the Lightcloud mesh network without controlling a load.

TRIGGER: Detect when an attached circuit is open or closed. For example, you could attach the Controller in Trigger mode to an existing occupancy sensor to allow your Lightcloud system to react to the sensor.

OCCUPANCY LOCAL: Use an attached sensor to control the Controller's load.

OCCUPANCY CUSTOM: Use an attached sensor to control the load of any Zone in the Lightcloud site.

ADVANCED TRIGGER: Designed to use a third-party occupancy sensor to detect occupancy without that sensor directly controlling the lights. Controller will function as an occupancy sensor in this mode.



POWER MEASUREMENT: The Lightcloud Controller is capable of measuring the power usage of the attached circuit.

POWER LOSS DETECTION: If mains power to the Controller is lost, the device will detect this and alert the Lightcloud application.

EMERGENCY DEFAULT: If communication is lost, the Controller may optionally fall back to a specific state, such as turning the attached circuit on.



Controller requires constant, unswitched power. Any wires not in use must be capped off or otherwise insulated. This product should only be installed by a qualified electrician and in compliance with local and national electrical codes.

FCC Information:

This device complies with Part 15 of the FCC Rules. Operation is subject to the following two conditions:

- 1. This device may not cause harmful interference, and*
- 2. This device must accept any interference received, including interference that may cause undesired operation.*

Note: This device has been tested and found to comply with the limits for Class A digital devices pursuant to Part 15 Subpart B, of the FCC rules. These limits are designed to provide reasonable protection against harmful interference in a residential environment. This equipment generates, uses, and can radiate radio frequency energy, and if not installed and used in accordance with the instruction manual, may cause harmful interference to radio communications. However, there is no guarantee that interference will not occur in a particular installation. If this equipment does cause harmful interference to radio or television reception, which can be determined by turning the equipment off and on, the user is encouraged to try and correct the interference by one or more of the following measures:

- Reorient or relocate the receiving antenna.*
- Increase the separation between the equipment and receiver.*
- Connect the equipment into an outlet on a circuit different from that to which the receiver is connected.*
- Consult the dealer or an experienced radio/TV technician for help.*

To comply with the FCC's RF exposure limits for general population / uncontrolled exposure, this transmitter must be installed to provide a separation distance of at least 20 cm from all persons and must not be co-located or operating in conjunction with any other antenna or transmitter.

CAUTION: Changes or modifications to this equipment not expressly approved by RAB Lighting may void the user's authority to operate this equipment.



Lightcloud is a commercial wireless lighting control system. It's powerful and flexible, yet easy to use and install. Learn more at lightcloud.com

1 (844) LIGHTCLOUD

1 (844) 544-4825

support@lightcloud.com

RAB[®]

© 2022 RAB Lighting, Inc