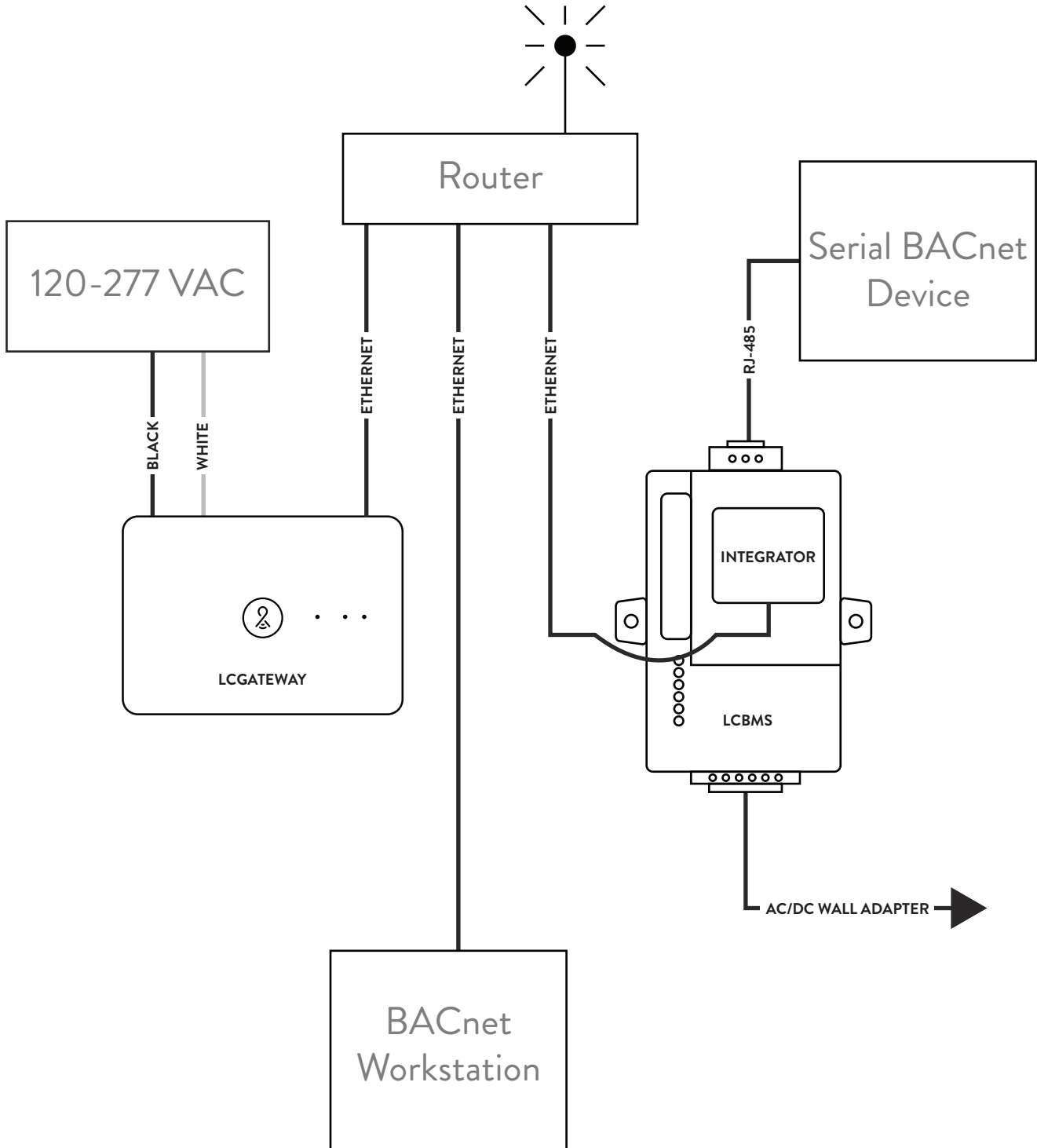




# Lightcloud Integrator

The Lightcloud Gateway must be hard-wired to AC power.



**Input:** 9-30 VDC or 12-24 VAC



Any wires not in use must be capped off or otherwise insulated.  
This product should only be installed by a qualified electrician and in compliance with local and national electrical codes.

**RAB**

**Controls**