



Project:	Type:
Prepared By:	Date:

Driver Info		LED Info	
Type	Constant Current	Watts	18W
120V	0.17A	Color Temp	2700K-6500K
208V	0.10A	Color Accuracy	95 CRI
240V	0.09A	L70 Lifespan	50,000 Hours
277V	0.08A	Lumens	1,300 lm
Input Watts	18W	Efficacy	72

Technical Specifications

Performance

Product Type:

Commercial Downlight

Description:

No Gateway or Hub required. These Bluetooth-enabled commercial grade downlights are ideal for new construction and retrofit application. With museum quality CRI and Lightcloud Blue-enabled features this is the ideal solution for museums, galleries, residential, and retail applications.

Wattage Equivalency:

32W CFL

Input Wattage:

18W

Lumens (Nominal):

1,300lm

Efficacy:

72lm/W

L70 Lifespan:

50,000-Hour LED lifespan based on IES LM-70 results

Lightcloud

Lightcloud Blue:

Lightcloud Blue is a Bluetooth mesh wireless lighting control system that allows you to control RAB's various compatible devices. With RAB's patent-pending Rapid Provisioning technology, devices can be quickly and easily commissioned for residential and large commercial applications using the Lightcloud Blue mobile app. Each device in a system can communicate with any other device, eliminating the need for a Gateway or Hub and maximizing the control system's reach.

DLC system - N1XMLOEATBA

[Learn more at www.lightcloud.com](http://www.lightcloud.com)

Gateway Required:

No

Communication Protocol:

Bluetooth Mesh

SmartShift:

SmartShift is the most advanced - yet easiest to use - circadian lighting system, which syncs white color tuning with the local sunrise and sunset.

Range:

Up to 60 feet between standard building materials. Building materials such as brick, concrete, and steel construction may require additional Lightcloud Blue devices to extend around an obstruction. Up to 200 feet clear line of sight.

Spacing Criteria:

Lightcloud Blue devices should be placed within the specified range to communicate within the Bluetooth Mesh network.

Factory Reset:

Method 1: Delete from App

Open the app and access the device settings for the paired device. Be sure that the downlight is online and select 'Delete'.

Method 2: Manual

Power the downlight off and on 5x consecutively. Do not allow less than 4s to elapse from switching off to on. Do not allow more than 2s to elapse from switching on to off. The downlight will flash 3x, then reset to 100% brightness at default CCT.

Method 3: Rapid Reset Tool

The Rapid Reset process must be done by a professional electrician qualified by RAB. Reach out to your RAB sales manager to request a Rapid Reset Tool. The tool simply needs to be placed directly on the small Lightcloud Blue logo on the device for 2s or until the lamp/luminaire flashes 3x, then resets to 100% brightness at the default CCT.

Technical Specifications (continued)

Electrical

Driver:

Constant Current, Class 2, 60 Hz, 120V-277V, 120V: 0.17A, 208V: 0.10A, 240V: 0.09A, 277V: 0.08A

THD:

≤20%

Power Factor:

≥0.9

Dimmable:

Yes, via the Lightcloud Blue mobile app and devices. This lamp will not operate properly when connected to a standard (incandescent) dimmer or dimming control.

Input Voltage:

120-277V

Operating Frequency:

50/60Hz

Input Current @ 120V (mA):

170mA

Input Current @ 208V (mA):

100mA

Input Current @ 240V (mA):

90mA

Input Current @ 277V (mA):

80mA

Operating Temperature:

-4°F to 104°F (-20°C to 40°C)

Flicker:

≤5%

LED Characteristics

Color Temperature:

Tunable White 2700K - 6500K

Color Accuracy (CRI):

>95 CRI

Natural Spectrum:

Low blue LEDs deliver a spectrum of light similar to that of natural Sunlight. They beautifully render colors with greater than 95+ CRI and an R9 value greater than 90. In addition, these LEDs don't suppress melatonin creation which aids in promoting better sleep/wake cycles.

R9 Value:

High color performance with R9 greater than or equal to 50

Color Consistency:

4-step MacAdam Ellipse binning to achieve consistent fixture-to-fixture color

Color Stability:

LED color temperature is warranted to shift no more than 200K in color temperature over a 5-year period

Color Uniformity:

RAB's range of Correlated Color Temperature follows the guidelines of the American National Standard for Specifications for the Chromaticity of Solid State Lighting (SSL) Products, ANSI C78.377-2017.

Installation

Mounting:

Recessed

Construction

Size:

6"

Shape:

Round

Finish:

White

Enclosure Material:

Metal

Trim Style:

Smooth

Lens:

Acrylic light guide distributes light evenly and smoothly for general lighting applications

IC Rated:

Suitable for direct contact with insulation

Air Tight:

Housing certified Air Tight as per ASTM E283

Compliance

Listings:

UL Listed

Environment:

Suitable for use in dry, damp, and wet environments.

Energy Star Approved:

This product is ENERGY STAR® Version 2.2 Certified

Energy Star ID:

2371522

Model Number for Certification:

LCBC6R189TWUNVWS-SS-NS

T20 Compliant:

Not Compliant

California Title 24 JA8 Compliant:

Can be used to conform with the requirements of California Title 24 Part 6

California Energy Commission (CEC) Status:

Lawful for Sales in California

NEC Compliant:

Suitable for use in closets. Compliant with NEC Sec. 410.16 (A)(1) and 410.16 (C3).

IESNA LM-79 & lm-80 Testing:

RAB LED luminaires and LED components have been tested by an independent laboratory in accordance with IESNA lm-79 and lm-80

RoHS:

Mercury and UV free. RoHS-compliant components.

FCC:

Complies with Part 15B of the FCC Rules

Other

Accessories:

[DLFRAME/C6R](#)

Commercial Downlight 6" Mounting Plate

[DL6-8GOOF/R/PA](#)

Commercial Downlight 6" Goof Ring

[DLTRIM/R6RS-BN](#)

6" Smooth Brushed Nickel Color Trimm

[DLTRIM/R6RS-BRZ](#)

6" Smooth Bronze Color Trim

[DLTRIM/R6RS-B](#)

6" Smooth Black Color Trim

[DRI-25-EMGR-DC](#)

Emergency Back up Driver

[DLJBOX/P/E2](#)

Downlight Junction Box

Technical Specifications (continued)

Warranty:

RAB warrants that our LED products will be free from defects in materials and workmanship for a period of five (5) years from the date of delivery to the end user, including coverage of light output, color stability, driver performance and fixture finish. RAB's warranty is subject to all terms and conditions found at rablighting.com/warranty.

Note:

All values are typical (tolerance +/- 10%)

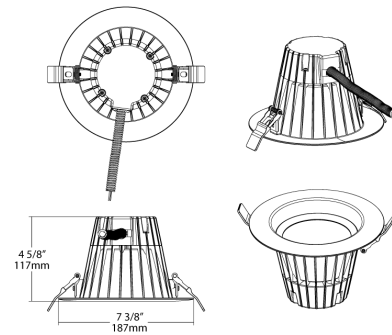
Buy American Act Compliance:

RAB values USA manufacturing! Upon request, RAB may be able to manufacture this product to be compliant with the Buy American Act (BAA). Please contact customer service to request a quote for the product to be made BAA compliant.

Case and Pallet Dimensions

	QTY	LENGTH (in)	WIDTH (in)	HEIGHT (in)
CASE	4	16.1	12.1	8
PALLET	200	49.29	40.84	42.52

Dimension



Features

Direct Connect to the Lightcloud Blue mobile app via Bluetooth, no Gateway or Hub required

Use mobile device to configure features for On/Off Control, Dim Level, Color Temperature, Schedules, Scenes, SmartShift and more.

Natural Spectrum Technology mimics natural sunlight to see colors more accurately

Tunable White 2700-6500K with smooth transition between color temperatures

Circadian SmartShift Capable to sync with local sunrise/sunset

Ordering Matrix

Family	Size	Shape	Wattage	CRI/Color Temp	Voltage	Finish	Trim	SmartShift	Spectrum
LCBC	6	R	18	9TW	UNV	W	S	SS	NS
	6 = 6"	R = Round	18 = 18W	9TW = 90 CRI, Tunable White 2700-6500K	UNV = Universal 120-277V	W = White	S = Smooth	SS = SmartShift	NS = Natural Spectrum