



<b>Project:</b>	<b>Type:</b>
<b>Prepared By:</b>	<b>Date:</b>

Driver Info		LED Info	
Type	Constant Current	Watts	160W
120V	1.50A	Color Temp	5000K (Cool)
208V	0.87A	Color Accuracy	86 CRI
240V	0.75A	L70 Lifespan	50,000 Hours
277V	0.65A	Lumens	20,996 lm
Input Watts	158.6W	Efficacy	132.4 lm/W

## Technical Specifications

### Compliance

#### UL Listed:

Suitable for damp locations

#### Trade Agreements Act Compliant:

This product is a product of Cambodia and a "designated country" end product that complies with the Trade Agreements Act

#### DLC Listed:

This product is on the Design Lights Consortium (DLC) Qualified Products List and is eligible for rebates from DLC Member Utilities. Designed to meet DLC 5.1 requirements.  
DLC Product Code: PVWC2J26

### Performance

#### Lifespan:

50,000-Hour LED lifespan based on IES LM-80 results and TM-21 calculations

#### Tilt Angle:

0° - 158.6W; 20,996 lumens  
15° - 158W; 20,754 lumens  
27° - 158.4W; 20,977 lumens  
39° - 156.6W; 20,946 lumens  
50° - 159.1W; 21,077 lumens

#### Wattage Equivalency:

Equivalent to 400W Metal Halide

### Electrical

#### Driver:

Constant Current, Class 2, Class P, 120-277V, 50/60 Hz, 120V: 1.50A, 208V: 0.87A, 240V: 0.75A, 277V: 0.65A

#### Dimming Driver:

Driver includes dimming control wiring for 0-10V dimming systems. Requires separate 0-10V DC dimming circuit. Dims down to 10%.

#### THD:

6.55% at 120V, 13.3% at 277V

#### Power Factor:

99.8% at 120V, 94.2% at 277V

#### Surge Protection:

2.5kV

### LED Characteristics

#### LEDs:

Long-life, high-efficacy, discrete, surface-mount LEDs

#### Color Consistency:

7-step MacAdam Ellipse binning to achieve consistent fixture-to-fixture color

### Color Uniformity:

RAB's range of Correlated Color Temperature follows the guidelines of the American National Standard for Specifications for the Chromaticity of Solid State Lighting (SSL) Products, ANSI C78.377-2017.

### Construction

#### Cold Weather Starting:

The minimum starting temperature is -20°C (-4°F)

#### Maximum Ambient Temperature:

Suitable for use in up to 50°C (122°F)

#### Housing:

Polycarbonate and ABS (PC/ABS)

#### Mounting:

V-hooks and optional pendant mounting

#### Finish:

Formulated for high durability and long-lasting color

#### Green Technology:

Mercury and UV free. RoHS-compliant components.

### Sensor Specifications

#### Capacitance Load:

400VA at 120VAC, 800VA at 230VAC, 1000VA at 277VAC

**Technical Specifications (continued)****Operating Temperature:**

-20°C to +60°C (-4°F to +140°F)

**Relay:**

Zero-cross relay

**Maximum Mounting Height:**

16.4 feet

**Customizable Detection Area:**

10, 50, 75 or 100%

**Time Delay:**

5s, 30s, 1min, 5min, 10min, 20min, 30min

**Cut Off Period:**

0s, 10s, 1min, 5min, 10min, 30min, 1hr, Bi-Level

**Cut-Off Dimming level:**

10, 20, 30, 50%

**Cut-Off Power:**

Less than 1W

**Daylight Threshold:**

About .2-5 fc for disabled

**Sensor Principle:**

High Frequency

**Microwave Frequency:**

5.8GHz +/- 75MHz

**Microwave Power:**

<0.2mW

**Max Detection Range:**

26 ft diameter at 16 ft mounting height

**Detection Angle:**

About 30 to 150 degrees

**Remote Control Accessory:**

Adjust settings using remote control (catalog# MVSREM). Only available with 0-10V dimming driver options. [Remote control available here.](#)

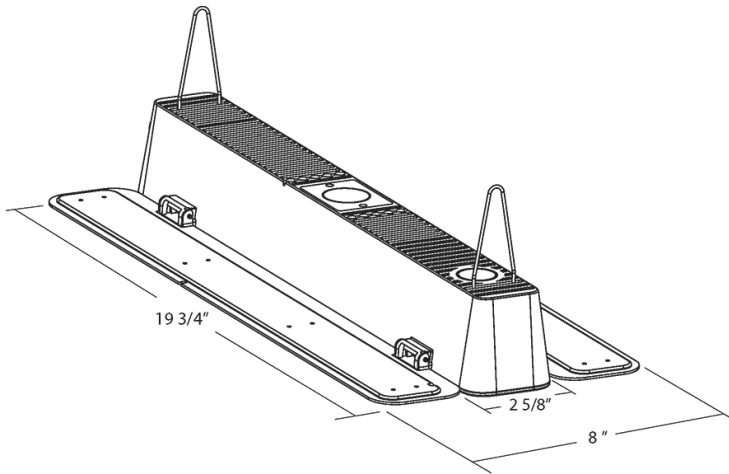
**Other****5 Yr Limited Warranty:**

The RAB 5-year, limited warranty covers light output, driver performance and paint finish. RAB's warranty is subject to all terms and conditions found at [rablighting.com/warranty](http://rablighting.com/warranty).

**Buy American Act Compliance:**

RAB values USA manufacturing! Upon request, RAB may be able to manufacture this product to be compliant with the Buy American Act (BAA). Please contact customer service to request a quote for the product to be made BAA compliant.

## Dimensions



## Features

- 50,000-Hour LED lifespan
- DLC listed
- 5-Year, limited warranty

## Ordering Matrix

Family	Wattage	Color Temp	Finish	Options
L34	-	180		/MVS

**110 = 100W**  
**180 = 160W**

**Blank = 5000K**  
**N = 4000K**

**Blank = White**

**Blank = No Option**  
**/LC = Lightcloud® Controller**  
**/LCS = Lightcloud® Sensor**  
**/MVS = Microwave Occupancy Sensor**