

An ultra-economy, linear high bay with innovative, adjustable fold-up wings that let you put light where you need it.

Color: White

Weight: 7.0 lbs

|                     |              |
|---------------------|--------------|
| <b>Project:</b>     | <b>Type:</b> |
| <b>Prepared By:</b> | <b>Date:</b> |

| Driver Info |                  | LED Info       |              |
|-------------|------------------|----------------|--------------|
| Type        | Constant Current | Watts          | 160W         |
| 120V        | 1.50A            | Color Temp     | 5000K (Cool) |
| 208V        | 0.87A            | Color Accuracy | 86 CRI       |
| 240V        | 0.75A            | L70 Lifespan   | 50,000 Hours |
| 277V        | 0.65A            | Lumens         | 20,996 lm    |
| Input Watts | 158.6W           | Efficacy       | 132.4 lm/W   |

## Technical Specifications

### Compliance

#### UL Listed:

Suitable for damp locations

#### Trade Agreements Act Compliant:

This product is a product of Cambodia and a "designated country" end product that complies with the Trade Agreements Act

#### DLC Listed:

This product is on the Design Lights Consortium (DLC) Qualified Products List and is eligible for rebates from DLC Member Utilities. Designed to meet DLC 5.1 requirements.  
DLC Product Code: PVWC2J26

### Performance

#### Lifespan:

50,000-Hour LED lifespan based on IES LM-80 results and TM-21 calculations

#### Tilt Angle:

0° - 158.6W; 20,996 lumens  
15° - 158W; 20,754 lumens  
27° - 158.4W; 20,977 lumens  
39° - 156.6W; 20,946 lumens  
50° - 159.1W; 21,077 lumens

#### Wattage Equivalency:

Equivalent to 400W Metal Halide

### Electrical

#### Driver:

Constant Current, Class 2, Class P, 120-277V, 50/60 Hz, 120V: 1.50A, 208V: 0.87A, 240V: 0.75A, 277V: 0.65A

#### Dimming Driver:

Driver includes dimming control wiring for 0-10V dimming systems. Requires separate 0-10V DC dimming circuit. Dims down to 10%.

#### THD:

6.55% at 120V, 13.3% at 277V

#### Power Factor:

99.8% at 120V, 94.2% at 277V

#### Surge Protection:

2.5kV

### LED Characteristics

#### LEDs:

Long-life, high-efficacy, discrete, surface-mount LEDs

#### Color Consistency:

7-step MacAdam Ellipse binning to achieve consistent fixture-to-fixture color

### Color Uniformity:

RAB's range of Correlated Color Temperature follows the guidelines of the American National Standard for Specifications for the Chromaticity of Solid State Lighting (SSL) Products, ANSI C78.377-2017.

### Construction

#### Cold Weather Starting:

The minimum starting temperature is -20°C (-4°F)

#### Maximum Ambient Temperature:

Suitable for use in up to 50°C (122°F)

#### Housing:

Polycarbonate and ABS (PC/ABS)

#### Mounting:

V-hooks and optional pendant mounting

#### Finish:

Formulated for high durability and long-lasting color

#### Green Technology:

Mercury and UV free. RoHS-compliant components.

## Technical Specifications (continued)

### Lightcloud

#### Lightcloud Sensor Installed:

Occupancy, vacancy, and closed loop daylight harvesting in one versatile sensor. In addition control any fixture in your Lightcloud integrated/embedded networked lighting luminaire-level control system. LLLC - capable of switching, 0-10V dimming, power/energy monitoring. Can also be used to extend the range of the Lightcloud mesh network communication protocols.

DLC system - N1XMLOEATBA

[Learn more about Lightcloud.](#)

### Other

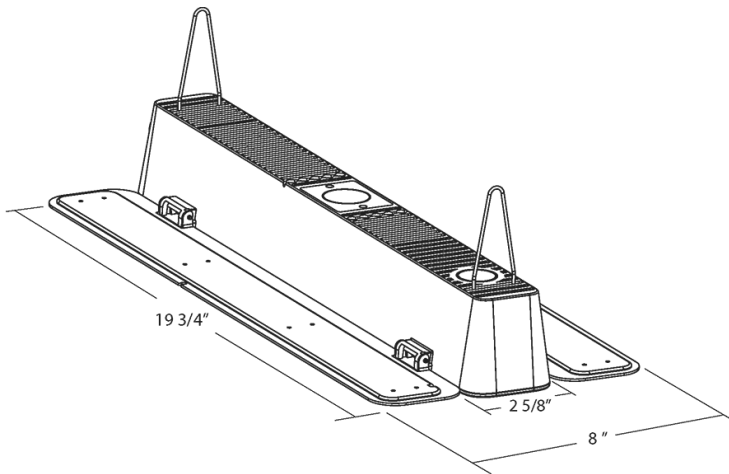
#### 5 Yr Limited Warranty:

The RAB 5-year, limited warranty covers light output, driver performance and paint finish. RAB's warranty is subject to all terms and conditions found at [rablighting.com/warranty](http://rablighting.com/warranty).

#### Buy American Act Compliance:

RAB values USA manufacturing! Upon request, RAB may be able to manufacture this product to be compliant with the Buy American Act (BAA). Please contact customer service to request a quote for the product to be made BAA compliant.

## Dimensions



## Features

50,000-Hour LED lifespan

DLC listed

5-Year, limited warranty

## Ordering Matrix

| Family | Wattage | Color Temp | Finish | Options |
|--------|---------|------------|--------|---------|
| L34    | -       | 180        |        | /LCS    |

110 = 100W  
180 = 160W

Blank = 5000K  
N = 4000K

Blank = White

Blank = No Option  
/LC = Lightcloud® Controller  
/LCS = Lightcloud® Sensor  
/MVS = Microwave Occupancy Sensor