

Project:	Type:
Prepared By:	Date:

Driver Info		LED Info	
Type	Constant Current	Watts	160W
120V	1.50A	Color Temp	5000K (Cool)
208V	0.87A	Color Accuracy	86 CRI
240V	0.75A	L70 Lifespan	50,000 Hours
277V	0.65A	Lumens	20,996 lm
Input Watts	158.6W	Efficacy	132.4 lm/W

Technical Specifications

Compliance

UL Listed:

Suitable for damp locations

Trade Agreements Act Compliant:

This product is a product of Cambodia and a "designated country" end product that complies with the Trade Agreements Act

DLC Listed:

This product is on the Design Lights Consortium (DLC) Qualified Products List and is eligible for rebates from DLC Member Utilities. Designed to meet DLC 5.1 requirements.
DLC Product Code: PVWC2J26

Performance

Lifespan:

50,000-Hour LED lifespan based on IES LM-80 results and TM-21 calculations

Tilt Angle:

0° - 158.6W; 20,996 lumens
15° - 158W; 20,754 lumens
27° - 158.4W; 20,977 lumens
39° - 156.6W; 20,946 lumens
50° - 159.1W; 21,077 lumens

Wattage Equivalency:

Equivalent to 400W Metal Halide

Electrical

Driver:

Constant Current, Class 2, Class P, 120-277V, 50/60 Hz, 120V: 1.50A, 208V: 0.87A, 240V: 0.75A, 277V: 0.65A

Dimming Driver:

Driver includes dimming control wiring for 0-10V dimming systems. Requires separate 0-10V DC dimming circuit. Dims down to 10%.

THD:

6.55% at 120V, 13.3% at 277V

Power Factor:

99.8% at 120V, 94.2% at 277V

Surge Protection:

2.5kV

LED Characteristics

LEDs:

Long-life, high-efficacy, discrete, surface-mount LEDs

Color Consistency:

7-step MacAdam Ellipse binning to achieve consistent fixture-to-fixture color

Color Uniformity:

RAB's range of Correlated Color Temperature follows the guidelines of the American National Standard for Specifications for the Chromaticity of Solid State Lighting (SSL) Products, ANSI C78.377-2017.

Construction

Cold Weather Starting:

The minimum starting temperature is -20°C (-4°F)

Maximum Ambient Temperature:

Suitable for use in up to 50°C (122°F)

Housing:

Polycarbonate and ABS (PC/ABS)

Mounting:

V-hooks and optional pendant mounting

Finish:

Formulated for high durability and long-lasting color

Green Technology:

Mercury and UV free. RoHS-compliant components.

Technical Specifications (continued)

Lightcloud

Lightcloud Controller Installed:

Integrated/embedded networked lighting control, luminaire-level lighting control. Fixture, Zone, and plug-load control from one powerful device. LLLC - capable of switching, 0-10V dimming, power/energy monitoring. Can also be used to extend the range of the Lightcloud mesh network communication protocols. Offers the capability to set the maximum light output to a less-than-maximum state of an individual luminaire at the time of installation or commissioning. The High-End trim functionality is field reconfigurable via the Lightcloud mesh network communication protocols. The Lightcloud controller can be attached to the fixture, junction box, or electrical panel.

DLC system - N1XMLOEATBA

[Learn more about Lightcloud.](#)

Other

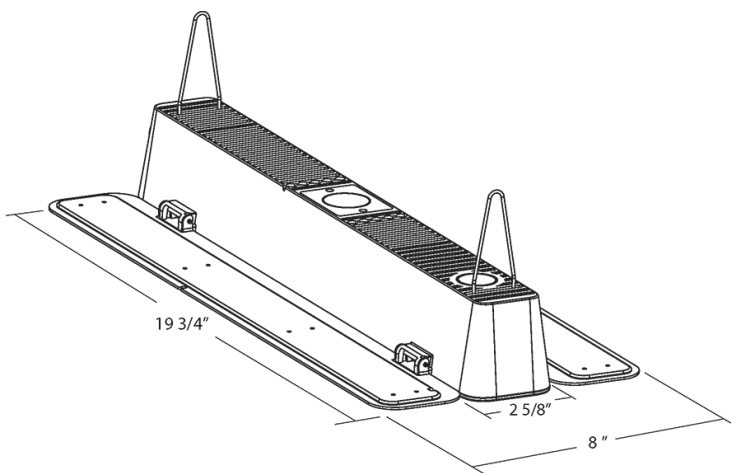
5 Yr Limited Warranty:

The RAB 5-year, limited warranty covers light output, driver performance and paint finish. RAB's warranty is subject to all terms and conditions found at rablighting.com/warranty.

Buy American Act Compliance:

RAB values USA manufacturing! Upon request, RAB may be able to manufacture this product to be compliant with the Buy American Act (BAA). Please contact customer service to request a quote for the product to be made BAA compliant.

Dimensions



Features

- 50,000-Hour LED lifespan
- DLC listed
- 5-Year, limited warranty

Ordering Matrix

Family		Wattage	Color Temp	Finish	Options
L34	-	180			/LC

110 = 100W
180 = 160W

Blank = 5000K
N = 4000K

Blank = White

Blank = No Option
/LC = Lightcloud® Controller
/LCS = Lightcloud® Sensor
/MVS = Microwave Occupancy Sensor