

An ultra-economy, linear high bay with innovative, adjustable fold-up wings that let you put light where you need it.

Color: White

Weight: 5.8 lbs

<b>Project:</b>	<b>Type:</b>
<b>Prepared By:</b>	<b>Date:</b>

Driver Info		LED Info	
Type	Constant Current	Watts	100W
120V	0.92A	Color Temp	4000K (Neutral)
208V	0.53A	Color Accuracy	84 CRI
240V	0.46A	L70 Lifespan	50,000 Hours
277V	0.40A	Lumens	13,654 lm
Input Watts	100.5W	Efficacy	135.9

## Technical Specifications

### Compliance

#### UL Listed:

Suitable for damp locations

#### Trade Agreements Act Compliant:

This product is a product of Cambodia and a "designated country" end product that complies with the Trade Agreements Act

#### DLC Listed:

This product is on the Design Lights Consortium (DLC) Qualified Products List and is eligible for rebates from DLC Member Utilities. Designed to meet DLC 5.1 requirements.  
DLC Product Code: S-LO46A9

### Performance

#### Lifespan:

50,000-Hour LED lifespan based on IES LM-80 results and TM-21 calculations

#### Wattage Equivalency:

Equivalent to 250W Metal Halide

### Electrical

#### Driver:

Constant Current, Class 2, Class P, 120-277V, 50/60 Hz, 120V: 0.92A, 208V: 0.53A, 240V: 0.46A, 277V: 0.40A

#### Dimming Driver:

Driver includes dimming control wiring for 0-10V dimming systems. Requires separate 0-10V DC dimming circuit. Dims down to 10%.

#### THD:

8.48% at 120V, 10.17% at 277V

#### Power Factor:

99.5% at 120V, 97.2% 277V

#### Surge Protection:

2.5kV

### LED Characteristics

#### LEDs:

Long-life, high-efficacy, discrete, surface-mount LEDs

#### Color Consistency:

7-step MacAdam Ellipse binning to achieve consistent fixture-to-fixture color

#### Color Uniformity:

RAB's range of Correlated Color Temperature follows the guidelines of the American National Standard for Specifications for the Chromaticity of Solid State Lighting (SSL) Products, ANSI C78.377-2017.

### Construction

#### Cold Weather Starting:

The minimum starting temperature is -20°C (-4°F)

#### Maximum Ambient Temperature:

Suitable for use in up to 50°C (122°F)

#### Housing:

Polycarbonate and ABS (PC/ABS)

#### Mounting:

V-hooks and optional pendant mounting

#### Finish:

Formulated for high durability and long-lasting color

#### Green Technology:

Mercury and UV free. RoHS-compliant components.

## Technical Specifications (continued)

### Lightcloud

#### Lightcloud Sensor Installed:

Occupancy, vacancy, and closed loop daylight harvesting in one versatile sensor. In addition control any fixture in your Lightcloud integrated/embedded networked lighting luminaire-level control system. LLLC - capable of switching, 0-10V dimming, power/energy monitoring. Can also be used to extend the range of the Lightcloud mesh network communication protocols.

DLC system - N1XMLOEATBA

[Learn more about Lightcloud.](#)

### Other

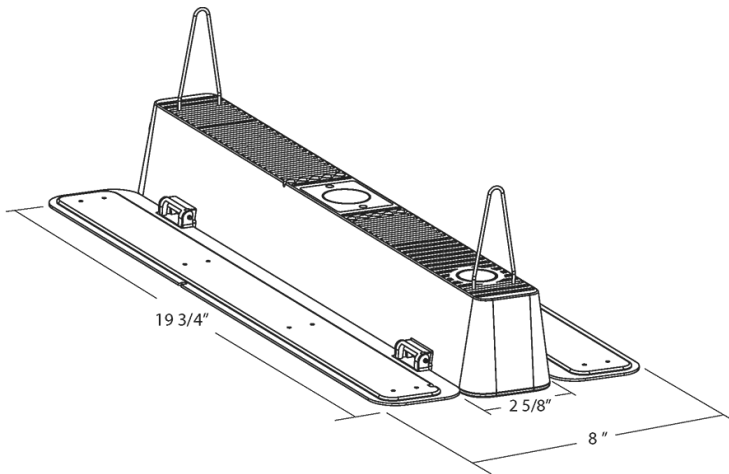
#### 5 Yr Limited Warranty:

The RAB 5-year, limited warranty covers light output, driver performance and paint finish. RAB's warranty is subject to all terms and conditions found at [rablighting.com/warranty](http://rablighting.com/warranty).

#### Buy American Act Compliance:

RAB values USA manufacturing! Upon request, RAB may be able to manufacture this product to be compliant with the Buy American Act (BAA). Please contact customer service to request a quote for the product to be made BAA compliant.

## Dimensions



## Features

50,000-Hour LED lifespan

DLC listed

5-Year, limited warranty

## Ordering Matrix

Family		Wattage	Color Temp	Finish	Options
L34	-	110	N		/LCS

110 = 100W  
180 = 160W

Blank = 5000K  
N = 4000K

Blank = White

Blank = No Option  
/LC = Lightcloud® Controller  
/LCS = Lightcloud® Sensor  
/MVS = Microwave Occupancy Sensor