

Technical Specifications (continued)

Lightcloud

Lightcloud Controller Installed:

Integrated/embedded networked lighting control, luminaire-level lighting control. Fixture, Zone, and plug-load control from one powerful device. LLLC - capable of switching, 0-10V dimming, power/energy monitoring. Can also be used to extend the range of the Lightcloud mesh network communication protocols. Offers the capability to set the maximum light output to a less-than-maximum state of an individual luminaire at the time of installation or commissioning. The High-End trim functionality is field reconfigurable via the Lightcloud mesh network communication protocols. The Lightcloud controller can be attached to the fixture, junction box, or electrical panel.

DLC system - N1XMLOEATBA

[Learn more about Lightcloud.](#)

Other

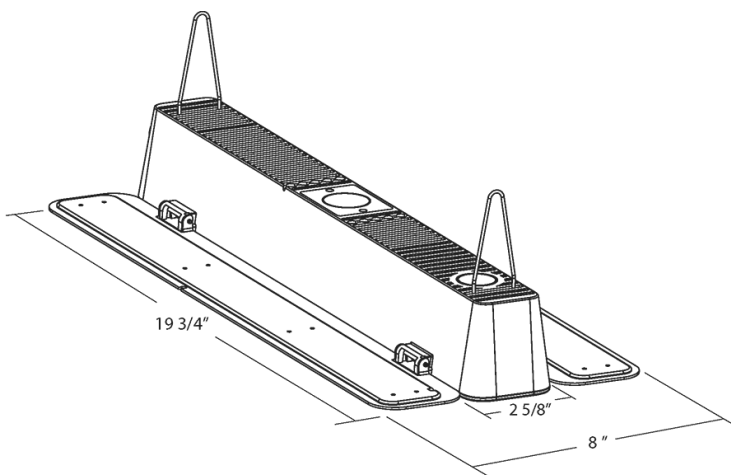
5 Yr Limited Warranty:

The RAB 5-year, limited warranty covers light output, driver performance and paint finish. RAB's warranty is subject to all terms and conditions found at rablighting.com/warranty.

Buy American Act Compliance:

RAB values USA manufacturing! Upon request, RAB may be able to manufacture this product to be compliant with the Buy American Act (BAA). Please contact customer service to request a quote for the product to be made BAA compliant.

Dimensions



Features

- 50,000-Hour LED lifespan
- DLC listed
- 5-Year, limited warranty

Ordering Matrix

Family	Wattage	Color Temp	Finish	Options
L34	-	110	N	/LC

110 = 100W
180 = 160W

Blank = 5000K
N = 4000K

Blank = White

Blank = No Option
/LC = Lightcloud® Controller
/LCS = Lightcloud® Sensor
/MVS = Microwave Occupancy Sensor