

An ultra-economy, linear high bay with innovative, adjustable fold-up wings that let you put light where you need it.

Color: White

Weight: 4.8 lbs

Project:	Type:
Prepared By:	Date:

Driver Info		LED Info	
Type	Constant Current	Watts	100W
120V	0.92A	Color Temp	4000K (Neutral)
208V	0.53A	Color Accuracy	84 CRI
240V	0.46A	L70 Lifespan	50,000 Hours
277V	0.40A	Lumens	13,654 lm
Input Watts	100.5W	Efficacy	135.9

Technical Specifications

Compliance

UL Listed:

Suitable for damp locations

Trade Agreements Act Compliant:

This product is a product of Cambodia and a "designated country" end product that complies with the Trade Agreements Act

DLC Listed:

This product is on the Design Lights Consortium (DLC) Qualified Products List and is eligible for rebates from DLC Member Utilities. Designed to meet DLC 5.1 requirements.

DLC Product Code: S-LO46A9

Performance

Lifespan:

50,000-Hour LED lifespan based on IES LM-80 results and TM-21 calculations

Wattage Equivalency:

Equivalent to 250W Metal Halide

Electrical

Driver:

Constant Current, Class 2, Class P, 120-277V, 50/60 Hz, 120V: 0.92A, 208V: 0.53A, 240V: 0.46A, 277V: 0.40A

Dimming Driver:

Driver includes dimming control wiring for 0-10V dimming systems. Requires separate 0-10V DC dimming circuit. Dims down to 10%.

THD:

8.48% at 120V, 10.17% at 277V

Power Factor:

99.5% at 120V, 97.2% 277V

Surge Protection:

2.5kV

LED Characteristics

LEDs:

Long-life, high-efficiency, discrete, surface-mount LEDs

Color Consistency:

7-step MacAdam Ellipse binning to achieve consistent fixture-to-fixture color

Color Uniformity:

RAB's range of Correlated Color Temperature follows the guidelines of the American National Standard for Specifications for the Chromaticity of Solid State Lighting (SSL) Products, ANSI C78.377-2017.

Construction

Cold Weather Starting:

The minimum starting temperature is -20°C (-4°F)

Maximum Ambient Temperature:

Suitable for use in up to 50°C (122°F)

Housing:

Polycarbonate and ABS (PC/ABS)

Mounting:

V-hooks and optional pendant mounting

Finish:

Formulated for high durability and long-lasting color

Green Technology:

Mercury and UV free. RoHS-compliant components.

Other

5 Yr Limited Warranty:

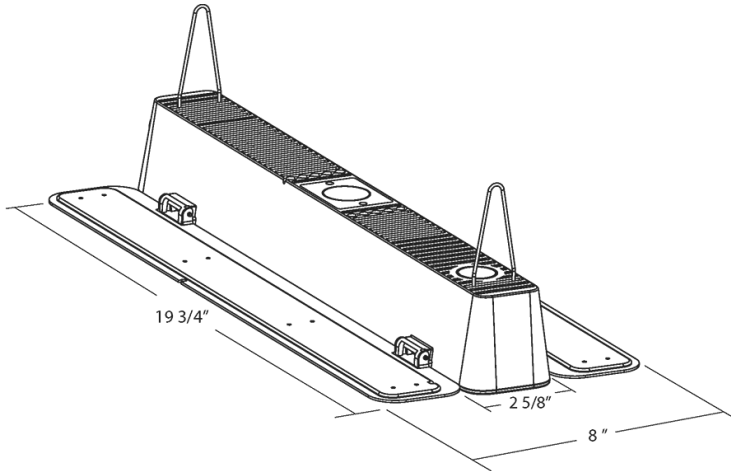
The RAB 5-year, limited warranty covers light output, driver performance and paint finish. RAB's warranty is subject to all terms and conditions found at rablighting.com/warranty.

Technical Specifications (continued)

Buy American Act Compliance:

RAB values USA manufacturing! Upon request, RAB may be able to manufacture this product to be compliant with the Buy American Act (BAA). Please contact customer service to request a quote for the product to be made BAA compliant.

Dimensions



Features

- 50,000-Hour LED lifespan
- DLC listed
- 5-Year, limited warranty

Ordering Matrix

Family	Wattage	Color Temp	Finish	Options
L34	-	110	N	
	110 = 100W 180 = 160W	Blank = 5000K N = 4000K	Blank = White	Blank = No Option /LC = Lightcloud® Controller /LCS = Lightcloud® Sensor /MVS = Microwave Occupancy Sensor