

An ultra-economy, linear high bay with innovative, adjustable fold-up wings that let you put light where you need it.

Color: White

Weight: 5.8 lbs

Project:	Type:
Prepared By:	Date:

Driver Info		LED Info	
Type	Constant Current	Watts	100W
120V	0.92A	Color Temp	5000K (Cool)
208V	0.53A	Color Accuracy	85 CRI
240V	0.46A	L70 Lifespan	50,000 Hours
277V	0.40A	Lumens	13,534 lm
Input Watts	100.5W	Efficacy	134.7 lm/W

Technical Specifications

Compliance

UL Listed:

Suitable for damp locations

Trade Agreements Act Compliant:

This product is a product of Cambodia and a "designated country" end product that complies with the Trade Agreements Act

DLC Listed:

This product is on the Design Lights Consortium (DLC) Qualified Products List and is eligible for rebates from DLC Member Utilities. Designed to meet DLC 5.1 requirements.
DLC Product Code: PTF2Z78V

Performance

Lifespan:

50,000-Hour LED lifespan based on IES LM-80 results and TM-21 calculations

Tilt Angle:

0° - 100.5W; 13,534 lumens
15° - 100.4W; 13,601 lumens
27° - 100.3W; 13,630 lumens
39° - 100.4W; 13,646 lumens
50° - 100.2W; 13,617 lumens

Wattage Equivalency:

Equivalent to 250W Metal Halide

Electrical

Driver:

Constant Current, Class 2, Class P, 120-277V, 50/60 Hz, 120V: 0.92A, 208V: 0.53A, 240V: 0.46A, 277V: 0.40A

Dimming Driver:

Driver includes dimming control wiring for 0-10V dimming systems. Requires separate 0-10V DC dimming circuit. Dims down to 10%.

THD:

6.48% at 120V, 8.9% at 277V

Power Factor:

99.7% at 120V, 97.2% at 277V

Surge Protection:

2.5kV

LED Characteristics

LEDs:

Long-life, high-efficacy, discrete, surface-mount LEDs

Color Consistency:

7-step MacAdam Ellipse binning to achieve consistent fixture-to-fixture color

Color Uniformity:

RAB's range of Correlated Color Temperature follows the guidelines of the American National Standard for Specifications for the Chromaticity of Solid State Lighting (SSL) Products, ANSI C78.377-2017.

Construction

Cold Weather Starting:

The minimum starting temperature is -20°C (-4°F)

Maximum Ambient Temperature:

Suitable for use in up to 50°C (122°F)

Housing:

Polycarbonate and ABS (PC/ABS)

Mounting:

V-hooks and optional pendant mounting

Finish:

Formulated for high durability and long-lasting color

Green Technology:

Mercury and UV free. RoHS-compliant components.

Technical Specifications (continued)

Lightcloud

Lightcloud Sensor Installed:

Occupancy, vacancy, and closed loop daylight harvesting in one versatile sensor. In addition control any fixture in your Lightcloud integrated/embedded networked lighting luminaire-level control system. LLLC - capable of switching, 0-10V dimming, power/energy monitoring. Can also be used to extend the range of the Lightcloud mesh network communication protocols.

DLC system - N1XMLOEATBA

[Learn more about Lightcloud.](#)

Other

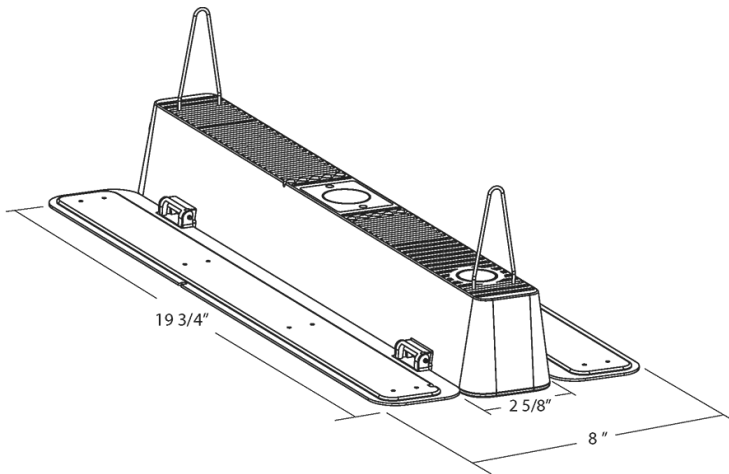
5 Yr Limited Warranty:

The RAB 5-year, limited warranty covers light output, driver performance and paint finish. RAB's warranty is subject to all terms and conditions found at rablighting.com/warranty.

Buy American Act Compliance:

RAB values USA manufacturing! Upon request, RAB may be able to manufacture this product to be compliant with the Buy American Act (BAA). Please contact customer service to request a quote for the product to be made BAA compliant.

Dimensions



Features

50,000-Hour LED lifespan

DLC listed

5-Year, limited warranty

Ordering Matrix

Family		Wattage	Color Temp	Finish	Options
L34	-	110			/LCS

110 = 100W
180 = 160W

Blank = 5000K
N = 4000K

Blank = White

Blank = No Option
/LC = Lightcloud® Controller
/LCS = Lightcloud® Sensor
/MVS = Microwave Occupancy Sensor