



<b>Project:</b>	<b>Type:</b>
<b>Prepared By:</b>	<b>Date:</b>

Driver Info		LED Info	
Type	Constant Current	Watts	20W
120V	0.20A	Color Temp	3000K-5000K
208V	N/A	Color Accuracy	81/84/84 CRI
240V	N/A	L70 Lifespan	100,000 Hours
277V	N/A	Lumens	2,000/2,072/2,094 lm
Input Watts	19.6/19.7/19.8W	Efficacy	102/105.2/105.8 lm/W

## Technical Specifications

### Field Adjustability

#### Color Tunable:

3 discrete color temperatures

### Compliance

#### UL Listed:

Suitable for wet locations

#### IP Rating:

Ingress protection rating of IP65 for dust and water

#### IESNA LM-79 & LM-80 Testing:

RAB LED luminaires and LED components have been tested by an independent laboratory in accordance with IESNA LM-79 and LM-80.

#### DLC Listed:

This product is on the Design Lights Consortium (DLC) Qualified Products List and is eligible for rebates from DLC Member Utilities. Designed to meet DLC 5.1 requirements.

DLC Product Code: S-PST1KW

### LED Characteristics

#### LEDs:

Long-life, high-efficacy, discrete, surface-mount LEDs

#### Color Consistency:

7-step MacAdam Ellipse binning to achieve consistent fixture-to-fixture color

#### Color Uniformity:

RAB's range of Correlated Color Temperature follows the guidelines of the American National Standard for (SSL) Products, ANSI C78.377-2017.

### Electrical

#### Driver:

20W: Constant Current, Class 1, 120V, 60 Hz, 120V: 0.20A

#### THD:

13.37% at 120V

#### Power Factor:

97.9% at 120V

#### Dim to Off:

No

#### Aux Power Supply:

No

#### Photocell:

Integrated photocell included with on/off switch (factory default: off)

### Sensor Settings

#### Surge Protection:

1kV

### Performance

#### Lifespan:

100,000-Hour LED lifespan based on IES LM-80 results and TM-21 calculations

### Construction

#### Cold Weather Starting:

The minimum starting temperature is -20°C (-4°F)

#### Maximum Ambient Temperature:

Suitable for use in up to 50°C (122°F)

#### Housing:

Polycarbonate

#### Reflector:

Polycarbonate

#### Effective Projected Area:

2000 square foot

#### Lens:

Polycarbonate lens

**Technical Specifications (continued)**

**Finish:**  
Formulated for high durability and long-lasting color

**Green Technology:**  
Mercury and UV free. RoHS-compliant components.

**Installation**

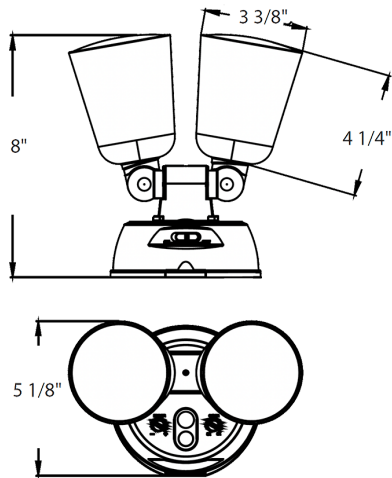
**Mounting:**  
Wall mount

**Other**

**5 Yr Limited Warranty:**  
The RAB 5-year, limited warranty covers light output, driver performance and paint finish. RAB's warranty is subject to all terms and conditions found at [rablighting.com/warranty](http://rablighting.com/warranty).

**Buy American Act Compliance:**  
RAB values USA manufacturing! Upon request, RAB may be able to manufacture this product to be compliant with the Buy American Act (BAA). Please contact customer service to request a quote for the product to be made BAA compliant.

**Dimensions**



**Features**

- 100,000-Hour LED lifespan
- DLC Listed
- 5-Year, limited warranty

**Ordering Matrix**

Family	Wattage	Color Temp	Finish	Driver
L2X			W	
	Blank = 20W	Blank = 3000-5000K Tunable	Blank = Bronze W = White B = Black	Blank = 120V, Stepless Dimming