

Color: Roadway gray

Weight: 9.6 lbs

Project:

Type:

Prepared By:

Date:

Driver Info

Type	Constant Current
120V	1.58A/1.43A/1.28A
208V	0.91A/0.82A/0.74A
240V	0.79A/0.71A/0.64A
277V	0.70A/0.63A/0.57A
Input Watts	153.6-198.7W

LED Info

Watts	200/180/160W
Color Temp	3000K/4000K/5000K
Color Accuracy	83-85 CRI
L70 Lifespan	100,000 Hours
Lumens	23443-30569 lm
Efficacy	141-164.9 lm/W

Technical Specifications

Field Adjustability

Field Adjustable:

Field Adjustable Light Output:
200/180/160W (factory default 200W)
Color Temperature Adjustable:
3000K, 4000K and 5000K (factory default 4000K)

Compliance

UL Listed:

Suitable for wet locations

IESNA LM-79 & LM-80 Testing:

RAB LED luminaires and LED components have been tested by an independent laboratory in accordance with IESNA lm-79 and lm-80.

IP Rating:

Ingress protection rating of IP66 for dust and water

Trade Agreements Act Compliant:

This product is a product of Cambodia and a "designated country" end product that complies with the Trade Agreements Act

DLC Listed:

This product is listed by Design Lights Consortium (DLC) as an ultra-efficient premium product that qualifies for the highest tier of rebates from DLC Member Utilities. Designed to meet DLC 5.1 requirements.
DLC Product Code: S-842RRP

Electrical

Driver:

Constant Current, Class1, 120-277V, 50/60 Hz:
200W: 120V: 1.58A, 208V: 0.91A, 240V: 0.79A, 277V: 0.70A
180W: 120V: 1.43A, 208V: 0.82A, 240V: 0.71A, 277V: 0.63A
160W: 120V: 1.28A, 208V: 0.74A, 240V: 0.64A, 277V: 0.57A

Dimming Driver:

Driver includes dimming control wiring for 0-10V dimming systems. Requires separate 0-10V DC dimming circuit. Dims down to 10%.

Surge Protection:

10 kV

Aux Power Supply:

Yes

Dim to Off:

Yes

Photocell:

120-277V Twistlock photocell included. Photocell is compatible with 120-277V.

Construction

IES Classification:

The Type III distribution is ideal for roadway, general parking, and other area lighting applications where a larger pool of lighting is required. It is intended to be located near the side of the area, allowing the light to project outward and fill the area.

IK Rating:

IK08 Protected against 5 joules of impact. Equivalent to the impact of a 3.75 lbs. (1.7kg) mass dropped from 11.8" (300mm) above the impacted surface.

Cold Weather Starting:

The minimum starting temperature is -40°F (-40°C)

Ambient Temperature:

Suitable for use in up to 104°F (40°C)

Housing:

Die-cast aluminum

Tilt Increment:

Rotates in 2.5 degree increments

Effective Projected Area:

EPA = 0.45

Technical Specifications (continued)

Lens:

Clear polycarbonate lens

Vibration Rating:

3G vibration rating per ANSI C136.31

Gaskets:

High-temperature silicone

Finish:

Formulated for high durability and long-lasting color

Green Technology:

Mercury and UV free. RoHS-compliant components.

LED Characteristics

LEDs:

Long-life, high-efficacy, surface-mount LEDs

Color Uniformity:

RAB's range of Correlated Color Temperature follows the guidelines of the American National Standard for Specifications for the Chromaticity of Solid State Lighting (SSL) Products, ANSI C78.377-2017.

Performance

Lifespan:

100,000-Hour LED lifespan based on IESlm-80 results and TM-21 calculations

Installation

Mounting:

Adjustable universal pole mount

Optical

BUG Rating:

200W: B4-U0-G3

180W: B3-U0-G3

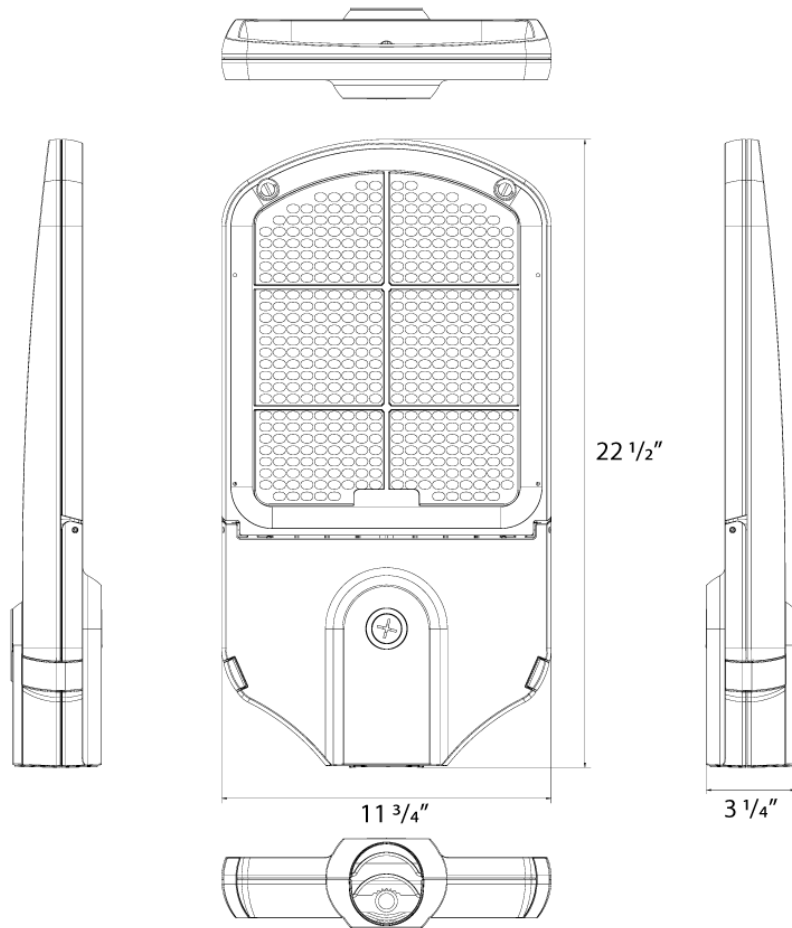
160W: B3-U0-G3

Other

10-Year Limited Warranty:

The RAB 10-year, limited warranty covers light output, driver performance and paint finish. RAB's warranty is subject to all terms and conditions found at rablighting.com/warranty.

Dimensions



Ordering Matrix

Family	Distribution	Size/Wattage	Mounting	Color Temp	Finish	Driver	Controls
KAI	3T	200			RG		
	3T = Type III 4T = Type IV 2T = Type II	70 = 70/60/50W 100 = 100/80/60W 150 = 150/120/100W 200 = 200/180/160W	Blank = Adjustable Pole Mount	Blank = 3000/4000/5000K	Blank = Bronze RG = Roadway Gray	Blank = 120-277V, 0-10V Dimming /480 = 480V, 0-10V Dimming	Blank = None /7PRS = 7-Pin Receptacle with Shorting Cap + 3-Pin Twistlock Photocell /LCBS = Lightcloud Blue w/PIR Sensor /LCBS/MVS = Lightcloud Blue w/MVS Sensor