

Color: Roadway gray

Weight: 9.4 lbs

Project:

Type:

Prepared By:

Date:

Driver Info

| | |
|-------------|-------------------|
| Type | Constant Current |
| 120V | 1.18A/0.96A/0.83A |
| 208V | 0.68A/0.56A/0.48A |
| 240V | 0.59A/0.48A/0.41A |
| 277V | 0.52A/0.43A/0.38A |
| Input Watts | 99-148.5W |

LED Info

| | |
|----------------|-------------------|
| Watts | 150/120/100W |
| Color Temp | 3000K/4000K/5000K |
| Color Accuracy | 83-84 CRI |
| L70 Lifespan | 100,000 Hours |
| Lumens | 15746-23165 lm |
| Efficacy | 144.4-170.1 lm/W |

Technical Specifications

Lightcloud

Lightcloud Blue:

Lightcloud Blue is a Bluetooth Mesh wireless lighting control system that allows you to control RAB's various compatible devices. With RAB's patented Rapid Provisioning technology, devices can be quickly and easily commissioned for residential and large commercial applications using the Lightcloud Blue mobile app. Each device in a system can communicate with any other device, eliminating the need for a Gateway or Hub and maximizing the control system's reach.

DLC system - N1XMLOEATBA (Interior);
NHCZ2BIA17L (Exterior)

Learn more at
www.rablighting.com/feature/new-lightcloud-blue.

Gateway Required:

No

Communication Protocol:

Bluetooth Mesh

Range:

Indoor: Up to 60 feet between standard building materials. Building materials such as brick, concrete, and steel construction may require additional Lightcloud Blue devices to extend around an obstruction; Up to 200 feet clear line of sight.

Outdoor: Up to 60 feet clear line of sight; Up to 18 feet around corners

Spacing Criteria:

Lightcloud Blue devices should be placed within the specified range to communicate within the Bluetooth Mesh network.

Factory Reset:

Method 1: Delete from App

Open the app and access the device settings for the paired device. Be sure that the device is online and select 'Delete'. The device will flash on/off 5 times and return to full brightness.

Method 2: Manual

Power the device off and on 5x consecutively. Do not allow less than 4s to elapse from switching off to on. Do not allow more than 2s to elapse from switching on to off. The device will flash 3x, then reset to 100% brightness at default CCT.

Method 3: Rapid Reset Tool

The Rapid Reset process must be done by a professional electrician qualified by RAB. Reach out to your RAB sales manager to request a Rapid Reset Tool. The tool simply needs to be placed directly on the small Lightcloud Blue logo on the device for 2s or until the lamp/luminaire flashes 3x, then resets to 100% brightness at the default CCT.

Performance

Product Type:

Low Voltage Controller+Sensor

L70 Lifespan:

50,000-Hour LED lifespan based on IES LM-70 results

Lifespan:

100,000-Hour LED lifespan based on IESlm-80 results and TM-21 calculations

Electrical

Driver:

Constant Current, Class1, 120-277V, 50/60 Hz:
150W: 120V: 1.18A, 208V: 0.68A, 240V: 0.59A, 277V: 0.52A
120W: 120V: 0.96A, 208V: 0.56A, 240V: 0.48A, 277V: 0.43A
100W: 120V: 0.83A, 208V: 0.48A, 240V: 0.41A, 277V: 0.38A

Dimming Driver:

Driver includes dimming control wiring for 0-10V dimming systems. Requires separate 0-10V DC dimming circuit. Dims down to 10%.

Dimmable:

Yes via the Lightcloud Blue mobile app and devices. This product will not operate properly when connected to a standard (incandescent) dimmer or dimming control.

Input Voltage:

12V

Technical Specifications (continued)**Operating Frequency:**

50/60Hz

Input Current @ 120V (mA):

30mA

Operating Temperature:

-4°F to 140°F (-20°C to 60°C)

Surge Protection:

10 kV

Aux Power Supply:

Yes

Dim to Off:

Yes

Photocell:

120-277V Twistlock photocell included. Photocell is compatible with 120-277V.

Sensor Settings**Sensor Connection Type:**

Pogo pin

Max Mounting Height:

40 ft

Detection Range:

40 ft diameter mounted at 40 ft

Sensor Technology:

Passive Infrared (PIR)

Default Setting:

Uncommissioned State:
 Motion Sensitivity: High
 Brightness when triggered : 100%
 Hold time: 20 minutes
 Standby to dim: 20%
 Standby time: 1 minute
 When vacant: Off
 Daylight: Disabled

Commissioned State:

Once pair, the sensor will default to disabled. Once enabled the following settings apply:
 Motion Sensitivity: High
 Brightness when triggered: Last on status
 Hold time: 20 minutes
 Standby to dim: 20%
 Standby time: 1 minute
 When vacant: Off
 Daylight: Disabled

Adjustable Sensor Settings?:

Yes, using the Lightcloud Blue mobile app

Sensing Type:

Occupancy or Vacancy (option to disable or set as an independent sensor)

Occupied Actions:

On or On at a Dim Level

Vacant Actions:

Off or On at a Dim Level

Occupancy Timeout:

1 minute to 240 minutes

Daylight Sensing:

The sensor will determine to trigger the light(s) on or not based on the daylight threshold level set in the Lightcloud Blue mobile app.

Daylight Threshold:

150 lux to 1500 lux

Remote Control:Adjust settings using remote control (catalog# MSR1). Only available with 0-10V dimming driver options. [Remote control available here.](#)**Construction****Shape:**

Round

Finish:

White

Enclosure Material:

Plastic

IES Classification:

The Type III distribution is ideal for roadway, general parking, and other area lighting applications where a larger pool of lighting is required. It is intended to be located near the side of the area, allowing the light to project outward and fill the area.

IK Rating:

IK08 Protected against 5 joules of impact. Equivalent to the impact of a 3.75 lbs. (1.7kg) mass dropped from 11.8" (300mm) above the impacted surface.

Cold Weather Starting:

The minimum starting temperature is -40°F (-40°C)

Ambient Temperature:

Suitable for use in up to 104°F (40°C)

Housing:

Die-cast aluminum

Tilt Increment:

Rotates in 2.5 degree increments

Effective Projected Area:

EPA = 0.45

Lens:

Clear polycarbonate lens

Vibration Rating:

3G vibration rating per ANSI C136.31

Gaskets:

High-temperature silicone

Green Technology:

Mercury and UV free. RoHS-compliant components.

Compliance**Environment:**

Suitable for use indoors and outdoors in dry, damp, or wet environments.

IP Rating:

IP66

UL Listed:

Suitable for wet locations

IESNA LM-79 & LM-80 Testing:

RAB LED luminaires and LED components have been tested by an independent laboratory in accordance with IESNA lm-79 and lm-80.

DLC Listed:

This product is listed by Design Lights Consortium (DLC) as an ultra-efficient premium product that qualifies for the highest tier of rebates from DLC Member Utilities. Designed to meet DLC 5.1 requirements.

DLC Product Code: S-Y8CR63

Field Adjustability**Field Adjustable:**

Field Adjustable Light Output:
 150/120/100W (factory default 150W)
 Color Temperature Adjustable:
 3000K, 4000K and 5000K (factory default 4000K)

LED Characteristics**LEDs:**

Long-life, high-efficacy, surface-mount LEDs

Technical Specifications (continued)

Color Uniformity:

RAB's range of Correlated Color Temperature follows the guidelines of the American National Standard for Specifications for the Chromaticity of Solid State Lighting (SSL) Products, ANSI C78.377-2017.

Installation

Mounting:

Adjustable universal pole mount

Optical

BUG Rating:

150W: B3-U0-G3

120W: B3-U0-G3

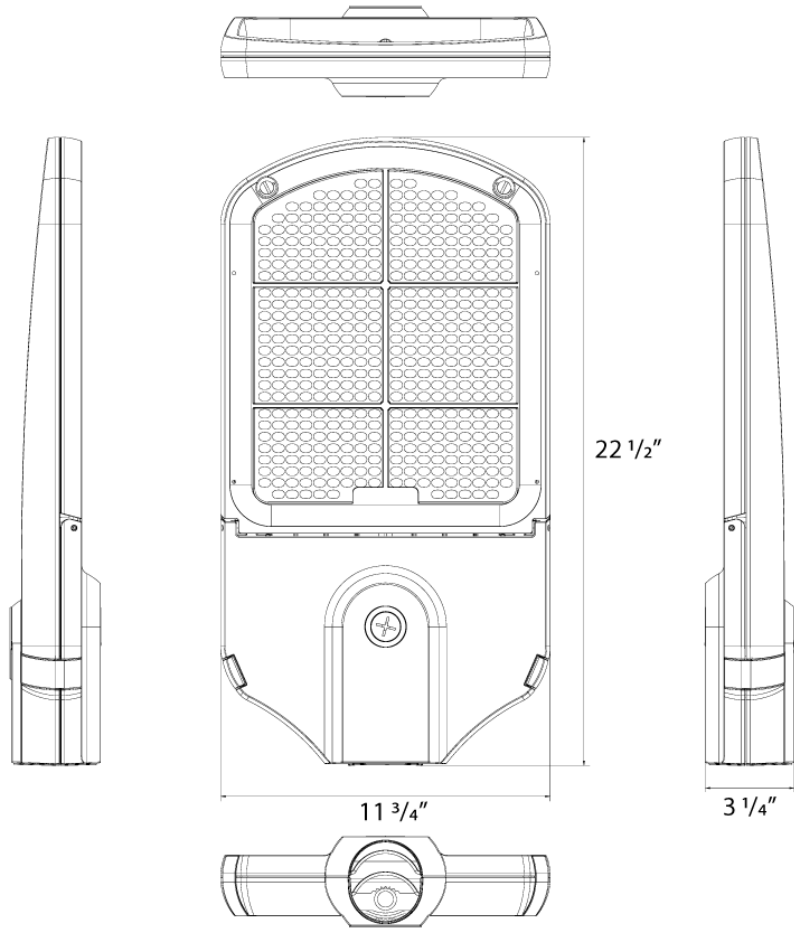
100W: B3-U0-G3

Other

10-Year Limited Warranty:

The RAB 10-year, limited warranty covers light output, driver performance and paint finish. RAB's warranty is subject to all terms and conditions found at rablighting.com/warranty.

Dimensions



Ordering Matrix

| Family | Distribution | Size/Wattage | Mounting | Color Temp | Finish | Driver | Controls |
|--------|---|--|-------------------------------|-------------------------|-------------------------------------|---|--|
| KAI | 3T | 150 | | | RG | | /LCBS |
| | 3T = Type III 4T = Type IV 2T = Type II | 70 = 70/60/50W 100 = 100/80/60W 150 = 150/120/100W 200 = 200/180/160W | Blank = Adjustable Pole Mount | Blank = 3000/4000/5000K | Blank = Bronze RG = Roadway Gray | Blank = 120-277V, 0-10V Dimming /480 = 480V, 0-10V Dimming | Blank = None /7PRS = 7-Pin Receptacle with Shorting Cap + 3-Pin Twistlock Photocell /LCBS = Lightcloud Blue w/PIR Sensor /LCBS/MVS = Lightcloud Blue w/MVS Sensor |