

INSTRUCTIONS

KAI™ FIELD-ADJUSTABLE ROADWAY INSTALLATION



RAB Lighting is committed to creating high-quality, affordable, well-designed and energy-efficient LED lighting and controls that make it easy for electricians to install and end users to save energy. We'd love to hear your comments. Please call the Marketing Department at 888-RAB-1000 or email: marketing@rablighting.com

**** DON'T TOSS IT—RECYCLE IT! MAKE THE SUSTAINABLE CHOICE BY RECYCLING THIS FIXTURE AT END OF LIFE WITH A LICENSED RECYCLING PROVIDER. ****



KAI 70W/100W



KAI 150/200W

IMPORTANT

READ CAREFULLY BEFORE INSTALLING FIXTURE. RETAIN THESE INSTRUCTIONS FOR FUTURE REFERENCE.

RAB fixtures must be wired in accordance with the National Electrical Code and all applicable local codes. Proper grounding is required for safety. THIS PRODUCT MUST BE INSTALLED IN ACCORDANCE WITH THE APPLICABLE INSTALLATION CODE BY A PERSON FAMILIAR WITH THE CONSTRUCTION AND OPERATION OF THE PRODUCT AND THE HAZARDS INVOLVED.

WARNING: Make certain power is OFF before installing or maintaining fixture. No user serviceable parts inside.

CAUTION: For proper weatherproof function all gaskets must be seated properly and all screws inserted and tightened firmly.

Suitable for Wet locations.

Min. 75°C Conductors

Field-Adjustment for Power/CCT settings should be selected before installation. Do not change switch settings with power on.

MOUNTING TO POLE

(Note: For 1" - 1-1/4" Pole Arm or Tenon, KAI-MC clamp accessory is ordered separately see Fig. 7).

1. Open Fixture Door by releasing (2) Latches as shown in Fig. 1.
2. The Fixture Housing fits 1-1/2" to 2-3/8" Tenon.
3. The Fixture can be mounted at -5°, -2.5°, 0°, 2.5°, 5° as shown in Fig. 3. Use provided Leveling Bubble to level Fixture.
4. Secure Fixture on Pole using Pole Mounting Clamp and tightening (2) Bolts (provided) as shown in Fig. 2.
5. Make necessary wiring connections according to NEC and local codes to Housing, see wiring diagram (Fig. 11).
6. Close Fixture Door and secure with Latches.

FIG. 1

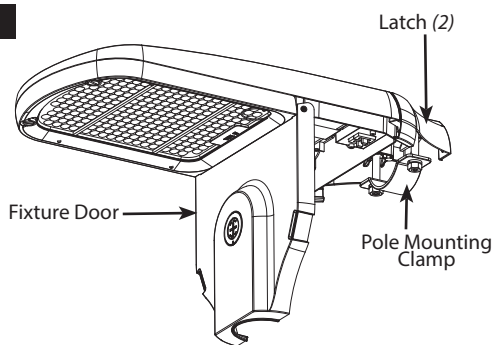


FIG. 2

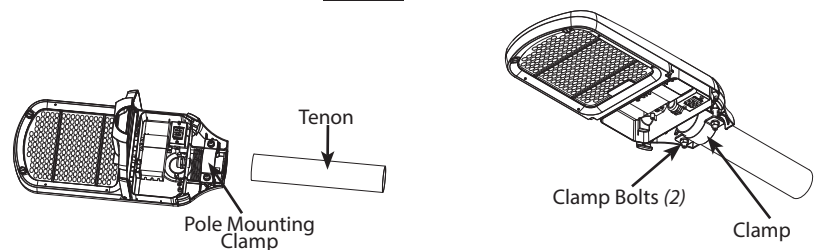
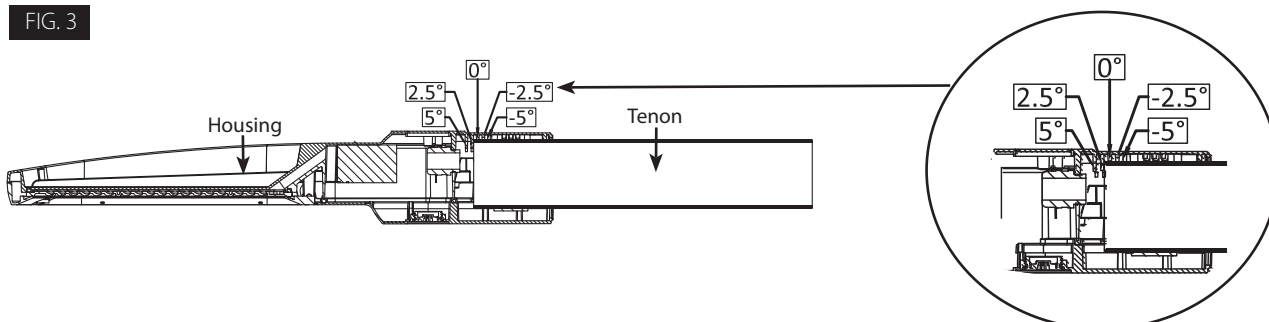


FIG. 3



INSTRUCTIONS

KAI™ FIELD-ADJUSTABLE ROADWAY INSTALLATION



RAB Lighting is committed to creating high-quality, affordable, well-designed and energy-efficient LED lighting and controls that make it easy for electricians to install and end users to save energy. We'd love to hear your comments. Please call the Marketing Department at 888-RAB-1000 or email: marketing@rablighting.com

**** DON'T TOSS IT—RECYCLE IT! MAKE THE SUSTAINABLE CHOICE BY RECYCLING THIS FIXTURE AT END OF LIFE WITH A LICENSED RECYCLING PROVIDER. ****

FIELD ADJUSTMENT

Color Temperature (CCT) Selection:

This product is equipped with 3000K, 4000K or 5000K (CCT) Color Temperature selection. For maximum light output use the 4000K Color Temperature.

Power (Wattage) Selection:

This product is equipped with power output selection.

- KAI-70 (70/60/50W)
- KAI-100 (100/80/60W)
- KAI-150 (150/120/100W)
- KAI-200 (200/180/160W)

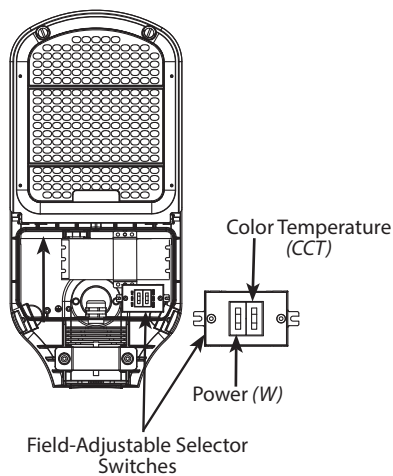
Follow instructions below to change Color Temperature (CCT) and/or Power (W) settings.

Factory Settings:

- KAI-70 70W / 4000K
- KAI-100 100W / 4000K
- KAI-150 150W / 4000K
- KAI-200 200W / 4000K

1. Locate the **Selector Switches** inside of housing as shown in Fig. 4.
2. Select **Color Temperature (CCT)** and/or **Power (W)** by sliding the respective switch to the desired setting.

FIG. 4



SLIPFITTER MOUNT

WARNING: RISK OF SERIOUS INJURY OR DEATH!

DO NOT MOUNT THE SLIPFITTER TO A TENON OR BRACKET THAT IS MORE THAN 20 DEGREES FROM VERTICAL. MOUNTING ANY ANGLE OTHER THAN 0-20 DEGREES INCREASES THE RISK OF DISENGAGEMENT AND/OR FAILURE OF THE SLIPFITTER. INSTALL THE POLE ON A SECURE BASE OR INSTALL THE BRACKET TO A WALL FIRST, THEN PLACE LUMINAIRE ONTO THE POLE OR BRACKET. DO NOT LIFT ASSEMBLED LUMINAIRE OR POLE OR LUMINAIRE & BRACKET. LUMINAIRE OR POLE/BRACKET MAY DISENGAGE.

Note: KAI-SF-KIT ordered separately.

1. Separate the **Slipfitter** kit assembly (KAI-SF-KIT ordered separately) by removing the **Swivel Bolt** as shown in Fig. 5. Feed wires from **Fixture** through **Slipfitter**. Re-assemble the **Slipfitter** and secure with **Swivel Bolt**. Install Slipfitter to Fixture using Mounting Clamp.
2. Make necessary connections according to NEC and local codes, see wiring diagram (Fig. 11).
3. The **Slipfitter** fits 2-3/8" O.D. **Tenon**.
4. Place the **Slipfitter** over the **Tenon** and secure the **Fixture** with (4) **Set Screws** on the side of the **Slipfitter** as shown in Fig. 6.

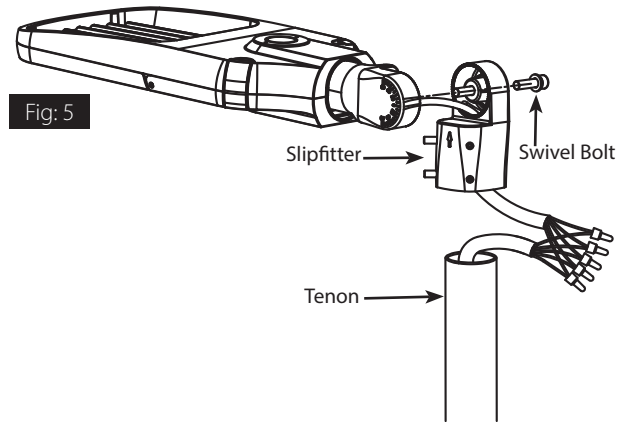
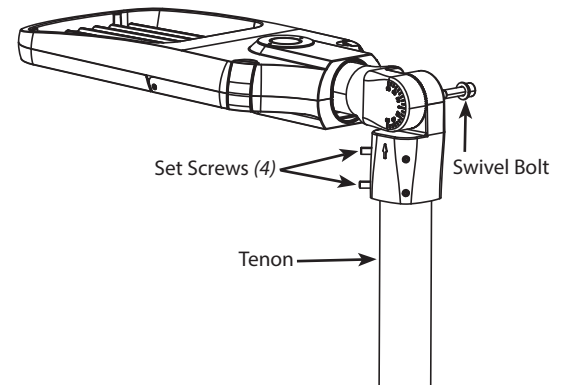


Fig: 6



INSTRUCTIONS

KAI™ FIELD-ADJUSTABLE ROADWAY INSTALLATION



RAB Lighting is committed to creating high-quality, affordable, well-designed and energy-efficient LED lighting and controls that make it easy for electricians to install and end users to save energy. We'd love to hear your comments. Please call the Marketing Department at 888-RAB-1000 or email: marketing@rablighting.com

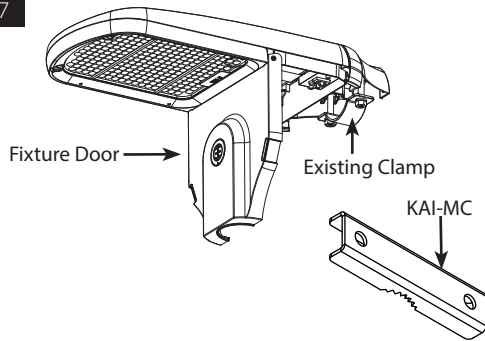
**** DON'T TOSS IT—RECYCLE IT! MAKE THE SUSTAINABLE CHOICE BY RECYCLING THIS FIXTURE AT END OF LIFE WITH A LICENSED RECYCLING PROVIDER. ****

CLAMP ACCESSORY

KAI-MC (*Mounting Clamp accessory for 1" to 1-1/4" Tenon Mounting*) ordered separately.

1. Open **Fixture Door** and remove the existing **Clamp** as shown in Fig. 7.
2. Install **KAI-MC** and tighten **Clamp nuts** and close **Fixture Door**.

Fig: 7



LENS ACCESSORY

LENS Accessory ordered separately.

- KAI-70/100LENS2T
- KAI-70/100LENS3T
- KAI-70/100LENS4T
- KAI-150/200LENS2T
- KAI-150/200LENS3T
- KAI-150/200LENS4T

1. Loosen (2) **Captive Screws** to open **Fixture Door Frame** as shown in Fig 8 and 9.
2. Remove pre-installed **Lens** (*do not discard Gasket*).
3. Insert new **Lens**, ensure that the **Lens** and **Gasket** is positioned correctly. Close **Fixture Door Frame** and secure with **Captive Screws**.

Fig: 8

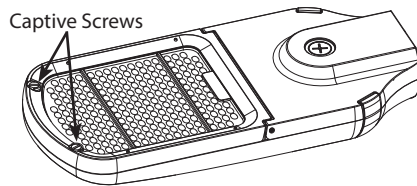
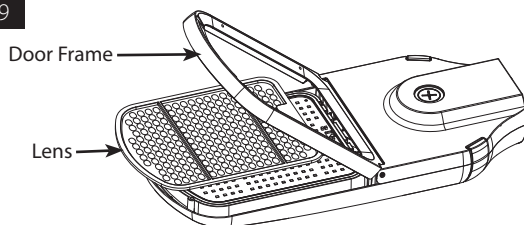


Fig: 9



SHIELD ACCESSORY

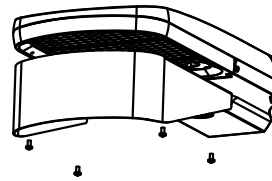
Shield Accessory ordered separately.

- KAI-70/100FS
- KAI-70/100HS
- KAI-70/100SS
- KAI-150/200FS
- KAI-150/200HS
- KAI-150/200SS

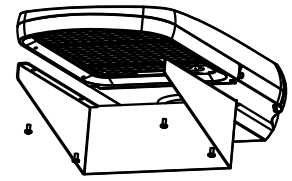
1. Remove (4) **Silicone Plugs**.
2. Secure **Shield** with (4) **Screws** (*provided*) as shown in Fig. 10.

Fig: 10

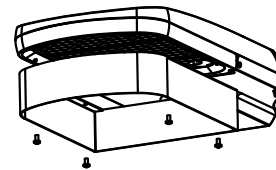
Front Side Shield



House Side Shield



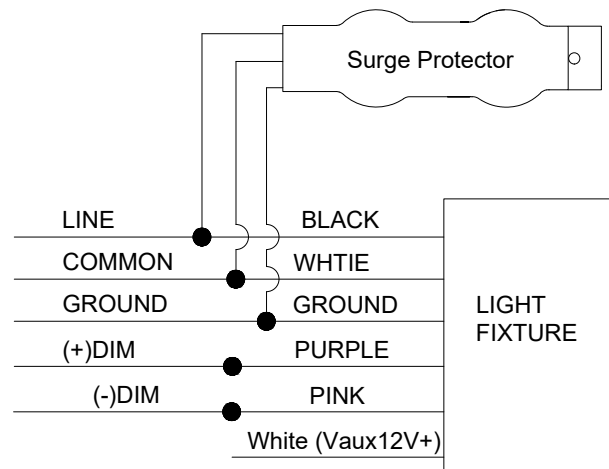
4 Sided Shield



Optional 20KV Surge Protector

A 10KV **Surge Protector** is included.

An optional **20KV Surge Protector**, SP20KV-277, SP20KV-480 may be ordered separately.



INSTRUCTIONS

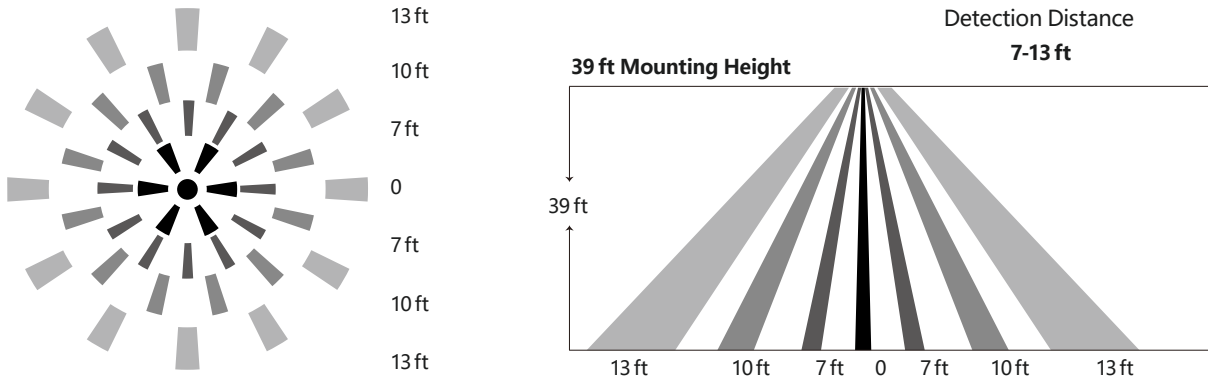
KAI™ FIELD-ADJUSTABLE ROADWAY INSTALLATION



RAB Lighting is committed to creating high-quality, affordable, well-designed and energy-efficient LED lighting and controls that make it easy for electricians to install and end users to save energy. We'd love to hear your comments. Please call the Marketing Department at 888-RAB-1000 or email: marketing@rablighting.com

**** DON'T TOSS IT—RECYCLE IT! MAKE THE SUSTAINABLE CHOICE BY RECYCLING THIS FIXTURE AT END OF LIFE WITH A LICENSED RECYCLING PROVIDER. ****

PIR40/LCB

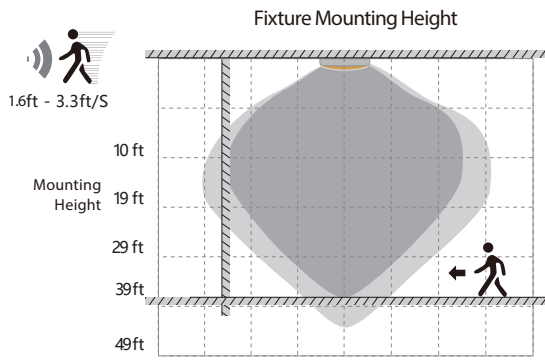


MVS50/LCB

Highest mounting height is 39 ft Max.

This figure indicates the maximum distance at the highest mounting height with 100% sensitivity.

Well Detected Area Possibly Detected Area



INSTRUCTIONS

KAI™ FIELD-ADJUSTABLE ROADWAY INSTALLATION



RAB Lighting is committed to creating high-quality, affordable, well-designed and energy-efficient LED lighting and controls that make it easy for electricians to install and end users to save energy. We'd love to hear your comments. Please call the Marketing Department at 888-RAB-1000 or email: marketing@rablighting.com

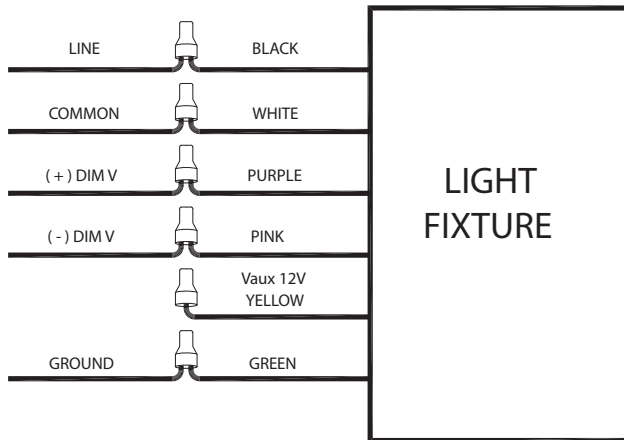
**** DON'T TOSS IT—RECYCLE IT! MAKE THE SUSTAINABLE CHOICE BY RECYCLING THIS FIXTURE AT END OF LIFE WITH A LICENSED RECYCLING PROVIDER. ****

0-10V DIMMABLE WIRING

Universal voltage driver permits operation at 120V through 277V, 50 or 60 Hz. Units ordered with /480 suffix are 480V ONLY. For 0-10V dimming follow the wiring directions as shown in Fig. 11.

1. Connect the black fixture lead to the **LINE** supply lead.
2. Connect the white fixture lead to the **COMMON** supply lead.
3. Connect the **GROUND** wire from fixture to supply ground. Do **NOT** connect the **GROUND** of the dimming fixture to the output.
4. Connect the purple fixture lead to the (V+) DIM lead.
5. Connect the pink fixture lead to the (V-) DIM lead.
6. Cap the yellow fixture lead, if present. Do **NOT** connect.

Fig: 11



CLEANING & MAINTENANCE

CAUTION: Be sure fixture temperature is cool enough to touch. Do not clean or maintain while fixture is energized.

1. Clean lens with non-abrasive glass cleaning solution.
2. Do not open the fixture to clean the LED. Do not touch the LED.

TROUBLESHOOTING

1. Check that the line voltage at the fixture is correct. Refer to wiring directions.
2. Is the fixture grounded properly?
3. Is the photocell, if used, functioning properly?

Note: These instructions do not cover all details or variations in equipment nor do they provide for every possible situation during installation, operation or maintenance.

INSTRUCTIONS

KAI™ FIELD-ADJUSTABLE ROADWAY INSTALLATION



RAB Lighting is committed to creating high-quality, affordable, well-designed and energy-efficient LED lighting and controls that make it easy for electricians to install and end users to save energy. We'd love to hear your comments. Please call the Marketing Department at 888-RAB-1000 or email: marketing@rablighting.com

**** DON'T TOSS IT—RECYCLE IT! MAKE THE SUSTAINABLE CHOICE BY RECYCLING THIS FIXTURE AT END OF LIFE WITH A LICENSED RECYCLING PROVIDER. ****

LIGHTCLOUD® BLUE

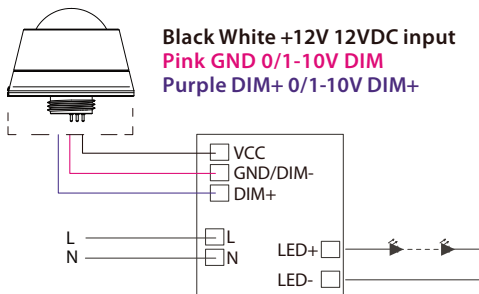
Lightcloud Blue is a Bluetooth mesh wireless lighting control system that allows you to control various compatible devices. With RAB's patented Rapid Provisioning technology, devices can be quickly and easily commissioned for residential and large commercial applications using the Lightcloud Blue mobile app.

Each device in a system can communicate with any other device, eliminating the need for a Gateway or Hub and maximizing the control system's reach.

Lightcloud Blue devices should be placed within the specified range to communicate within the Bluetooth Mesh network. Up to 60 feet between standard building materials.

SENSORS WIRING

The Lightcloud Blue High Bay Low Voltage Controller installs in compatible sensor ports using a 3-pogo pin connection.



LIGHTCLOUD® BLUE SENSORS

This is a 12V low voltage controller with integrated occupancy sensor. Screw the Sensor Head into the sensor port of a compatible fixture. Sensor will operate in Occupancy mode in their Uncommissioned State. Once paired to the Lightcloud Blue mobile app, the sensor will be disabled. Sensor Settings can be adjusted in the Lightcloud Blue mobile app. Once the sensor is enabled in the mobile app, the sensor will respond based on Commissioned State factory settings. For use with compatible fixtures without a sensor port, see BRACKET (RAAS) INSTALLATION.


Factory Settings: Uncommissioned State

- Sensor Status: Enabled
- Motion Sensitivity: High
- Brightness when triggered: 100%
- Hold time: 20 Minute
- Daylight harvesting: Disabled

Factory Settings: Commissioned State

- Sensor Status: Disabled.
- Motion Sensitivity: High
- Brightness when triggered: Last on status
- Hold time: 20 Minute
- When vacant: Off
- Daylight harvesting: Disabled

CONTROLLING LIGHTCLOUD® BLUE DEVICE

1. Confirm your device is powered on.
2. Download the Lightcloud Blue app from the Apple® App store or Google Play™ store.
3. Launch the App and create an account or login.
4. Tap the "add device" icon in the app to start connecting devices. 
5. Select the fixture in the app and move it to an Area with other Lightcloud Blue lights.
6. You're all set!



Check out the Lightcloud Blue Mobile App User Guide for more information on how to maximize your system

CONFIGURATION

To configure the Lightcloud Blue please login to the Lightcloud Blue app for details. For additional startup information, visit www.lightcloud.com/item/lcb-getting-started/

INSTRUCTIONS

KAI™ FIELD-ADJUSTABLE ROADWAY INSTALLATION



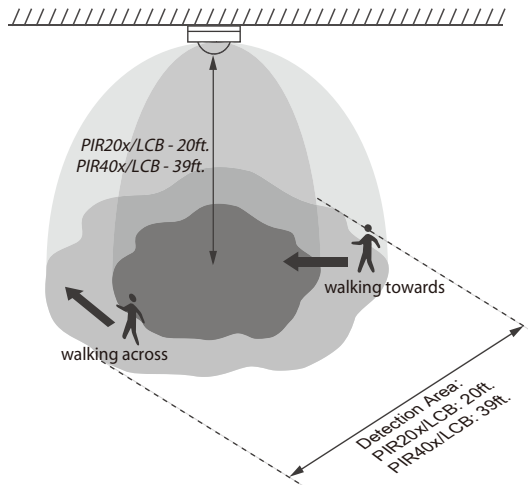
RAB Lighting is committed to creating high-quality, affordable, well-designed and energy-efficient LED lighting and controls that make it easy for electricians to install and end users to save energy. We'd love to hear your comments. Please call the Marketing Department at 888-RAB-1000 or email: marketing@rablighting.com

**** DON'T TOSS IT—RECYCLE IT! MAKE THE SUSTAINABLE CHOICE BY RECYCLING THIS FIXTURE AT END OF LIFE WITH A LICENSED RECYCLING PROVIDER. ****

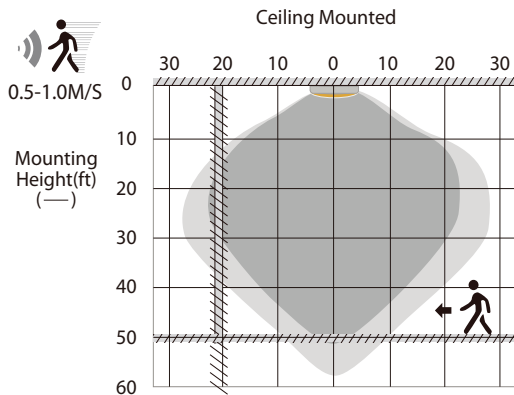
SENSOR COVERAGE

High Bay Low Voltage PIR Controller:

Highest ceiling mounted height



High Bay Low Voltage MVS Controller:



Highest mounting height is:

MVS20x/LCB: 20ft, MVS50x/LCB: 49ft

This figure indicates the maximum distance at the highest mounting height with 100% sensitivity.

- Well Detected Area
- Possibly Detected Area

RESTORE FACTORY SETTINGS

To restore your Lightcloud Blue Low Voltage Controller to factory settings, you can reset it using the following methods:

Method 1: Delete from App

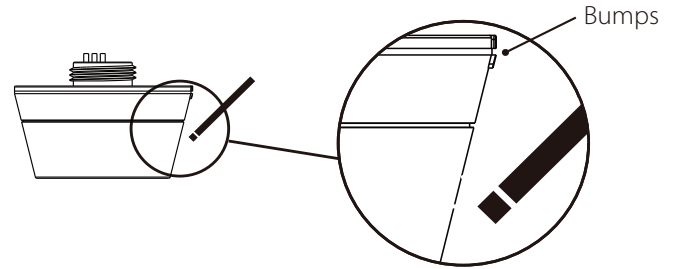
If the controller was previously paired, open the mobile app and access the device settings for the paired device. Be sure that the device is online and select 'Delete from Site'. The light will flash on/off 3x, then reset to 100% brightness.

Method 2: Manual

Remove the controller and reattach 5x in a row. The light will flash on/off 3x then reset to 100% brightness.

Method 3: Rapid Reset Tool

The rapid reset process must be done by professional electricians qualified by RAB. Reach out to your RAB sales manager to request a Rapid Reset Tool. The tool simply needs to be placed directly on the small Lightcloud logo on fixture for 2 seconds. The fixture will flash 3 times, then reset to 100% brightness at default CCT.



© 2025 RAB LIGHTING Inc.

KAI - IN - 1225
P-X102352

Easy Answers

rablighting.com
Visit our website for product info

Tech Help Line
Call our experts: 888 722-1000

e-mail
Answered promptly - tech@rablighting.com

Free Lighting Layouts
Answered online or by request

RAB WARRANTY: RAB's warranty is subject to all terms and conditions found at rablighting.com/warranty.