

<b>Project:</b>	<b>Type:</b>
<b>Prepared By:</b>	<b>Date:</b>

Driver Info		LED Info	
Type	Constant Current	Watts	28W
120V	0.24A	Color Temp	5000K (Cool)
208V	0.14A	Color Accuracy	73 CRI
240V	0.12A	L70 Lifespan	100,000 Hours
277V	0.11A	Lumens	4,157 lm
Input Watts	28.6W	Efficacy	145.3 lm/W

## Technical Specifications

### Lightcloud

#### Lightcloud Controller Installed:

Integrated/embedded networked lighting control, luminaire-level lighting control. Fixture, Zone, and plug-load control from one powerful device. LLLC - capable of switching, 0-10V dimming, power/energy monitoring. Can also be used to extend the range of the Lightcloud mesh network communication protocols. Offers the capability to set the maximum light output to a less-than-maximum state of an individual luminaire at the time of installation or commissioning. The High-End trim functionality is field reconfigurable via the Lightcloud mesh network communication protocols. The Lightcloud controller can be attached to the fixture, junction box, or electrical panel.

DLC system - NHCZ2BIA17L

[Learn more about Lightcloud.](#)

### Compliance

#### UL Listed:

Suitable for wet locations

#### IP Rating:

Ingress protection rating of IP66 for dust and water

#### Title 24 Compliant:

An IVEPARK edgelit garage fixture with a WS2 control option can be used to comply with 2016 Title 24 Part 6 Section 130.2 (a,b,c)

#### IESNA LM-79 & lm-80 Testing:

RAB LED luminaires and LED components have been tested by an independent laboratory in accordance with IESNA lm-79 and lm-80

### LED Characteristics

#### LEDs:

Long-life, high-efficacy, surface-mount LEDs

#### Color Stability:

LED color temperature is warranted to shift no more than 200K in color temperature over a 5-year period

#### Color Uniformity:

RAB's range of Correlated Color Temperature follows the guidelines of the American National Standard for Specifications for the Chromaticity of Solid State Lighting (SSL) Products, ANSI C78.377-2017.

### Performance

#### Lifespan:

Up to 100,000-Hour LED lifespan based on IES LM-80 results and TM-21 calculations

### Construction

#### Cold Weather Starting:

The minimum starting temperature is -20°C (-4°F)

#### Maximum Ambient Temperature:

Suitable for use in up to 40°C (104°F)

#### Mounting:

Surface mount standard (accessories available for wall, pole and trunion mount)

#### Lens:

Diffused Polymethyl Methacrylate (PMMA)

#### Finish:

Formulated for high durability and long-lasting color

#### Green Technology:

Mercury and UV free. RoHS-compliant components.

### Other

#### Warranty:

RAB warrants that our LED products will be free from defects in materials and workmanship for a period of five (5) years from the date of delivery to the end user, including coverage of light output, color stability, driver performance and fixture finish. RAB's warranty is subject to all terms and conditions found at [rablighting.com/warranty](http://rablighting.com/warranty).

## Technical Specifications (continued)

### Buy American Act Compliance:

RAB values USA manufacturing! Upon request, RAB may be able to manufacture this product to be compliant with the Buy American Act (BAA). Please contact customer service to request a quote for the product to be made BAA compliant.

### Electrical

---

#### Driver:

Class 2, 50/60Hz, 120-277V, 4kV standard, 10kV optional, 120V: 0.24A, 208V: 0.14A, 240V: 0.12A, 277V: 0.11A

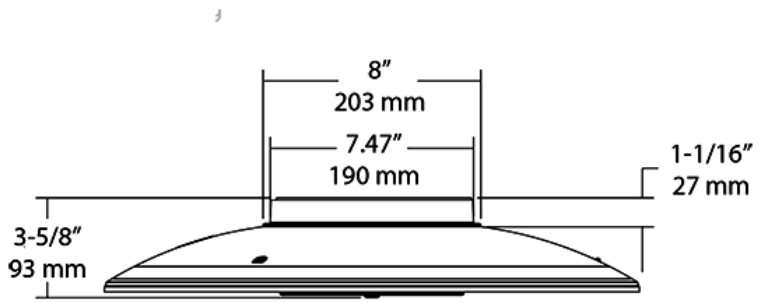
#### THD:

10.39% at 120V, 15.05% at 277V

#### Power Factor:

98.81% at 120V, 91.2% at 277V

## Dimensions



## Ordering Matrix

Family	Distribution		Lumen Output	CRI/Color Temp	Finish	Voltage/Driver	Sensor Options	Lightcloud	Emergency Option
IVG	T5CU	-	30L	750	W	U		/LC	
	<b>T5</b> = Type V Wide <b>T5C</b> = Type V Concentrated <b>T5U</b> = Type V Wide with Uplight <b>T5CU</b> = Type V Concentrated with Uplight		<b>30L</b> = 3,600lm (28W) <b>50L</b> = 5,500lm (45W) <b>70L</b> = 7,500lm (69W)	<b>750</b> = 70CRI 5000K <b>740</b> = 70CRI 4000K <b>730</b> = 70CRI 3000K	<b>Z</b> = Bronze <sup>1</sup> <b>W</b> = White	<b>U</b> = 120-277V 0-10V Dimming <b>4</b> = 480V 0-10V Dimming <sup>3</sup>	<b>Blank</b> = No Options <b>/WS</b> = 8ft lens Wattstopper <b>/WS2</b> = 20ft lens Wattstopper	<b>Blank</b> = No Lightcloud® <b>/LC</b> = Lightcloud® Controller <sup>2</sup>	<b>Blank</b> = No Options <b>/E2</b> = Emergency <sup>2</sup>

<sup>1</sup> Available only for T5 and T5C distribution

<sup>2</sup> Applies to 120-277V

<sup>3</sup> Consult Factory