



Color: Bronze

Weight: 7.0 lbs

Project:

Type:

Prepared By:

Date:

Driver Info

| | |
|-------------|------------------|
| Type | Constant Current |
| 120V | 0.51A |
| 208V | 0.31A |
| 240V | 0.27A |
| 277V | 0.22A |
| Input Watts | 60W |

LED Info

| | |
|----------------|---------------|
| Watts | 69W |
| Color Temp | 3000K (Warm) |
| Color Accuracy | 71 CRI |
| L70 Lifespan | 100,000 Hours |
| Lumens | 7,131 lm |
| Efficacy | 118.8 lm/W |

Technical Specifications

Compliance

UL Listed:

Suitable for wet locations

IP Rating:

Ingress protection rating of IP66 for dust and water

Title 24 Compliant:

An IVEPARK edgelit garage fixture with a WS2 control option can be used to comply with 2016 Title 24 Part 6 Section 130.2 (a,b,c)

IESNA LM-79 & lm-80 Testing:

RAB LED luminaires and LED components have been tested by an independent laboratory in accordance with IESNA lm-79 and lm-80

LED Characteristics

LEDs:

Long-life, high-efficacy, surface-mount LEDs

Color Stability:

LED color temperature is warranted to shift no more than 200K in color temperature over a 5-year period

Color Uniformity:

RAB's range of Correlated Color Temperature follows the guidelines of the American National Standard for Specifications for the Chromaticity of Solid State Lighting (SSL) Products, ANSI C78.377-2017.

Electrical

Driver:

Class 2, 50/60Hz, 120-277V, 4kV standard, 10kV optional, 120V: 0.51A, 208V: 0.31A, 240V: 0.27A, 277V: 0.22A

THD:

6.8% at 120V, 3.86% at 277V

Power Factor:

99.7% at 120V, 97.42% at 277V

Battery Backup:

Battery backup will operate the LED Lamp for 90 minutes if power fails. Wired for 120V-277V.

Battery Backup Light Loss Factor:

0.115

Performance

Lifespan:

Up to 100,000-Hour LED lifespan based on IES LM-80 results and TM-21 calculations

Wattage Equivalency:

Equivalent to 250W Metal Halide

Construction

Cold Weather Starting:

The minimum starting temperature is -20°C (-4°F)

Maximum Ambient Temperature:

Suitable for use in up to 40°C (104°F)

Mounting:

Surface mount standard (accessories available for wall, pole and trunnion mount)

Lens:

Diffused Polymethyl Methacrylate (PMMA)

Finish:

Formulated for high durability and long-lasting color

Green Technology:

Mercury and UV free. RoHS-compliant components.

Technical Specifications (continued)

Other

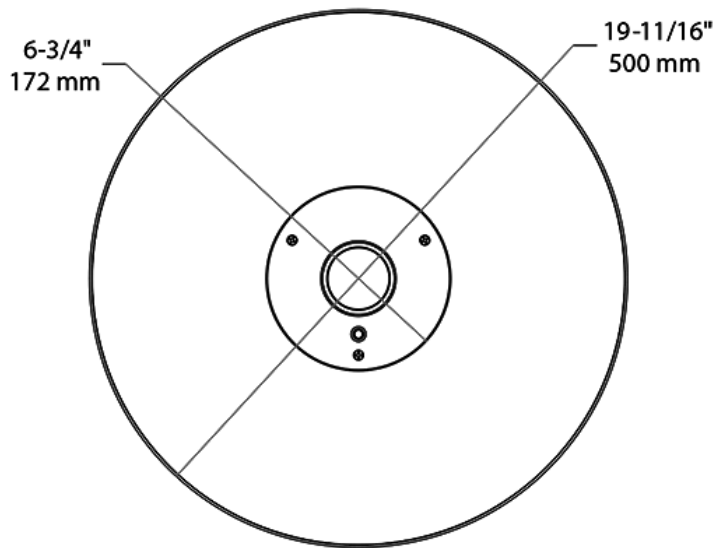
Warranty:

RAB warrants that our LED products will be free from defects in materials and workmanship for a period of five (5) years from the date of delivery to the end user, including coverage of light output, color stability, driver performance and fixture finish. RAB's warranty is subject to all terms and conditions found at rablighting.com/warranty.

Buy American Act Compliance:

RAB values USA manufacturing! Upon request, RAB may be able to manufacture this product to be compliant with the Buy American Act (BAA). Please contact customer service to request a quote for the product to be made BAA compliant.

Dimensions



Ordering Matrix

| Family | Distribution | | Lumen Output | CRI/Color Temp | Finish | Voltage/Driver | Sensor Options | Lightcloud | Emergency Option |
|--------|--|---|--|--|--|---|---|---|--|
| IVG | T5C | - | 70L | 730 | Z | U | | | /E2 |
| | T5 = Type V Wide T5C = Type V Concentrated T5U = Type V Wide with Uplight T5CU = Type V Concentrated with Uplight | | 30L = 3,600lm (28W) 50L = 5,500lm (45W) 70L = 7,500lm (69W) | 750 = 70CRI 5000K 740 = 70CRI 4000K 730 = 70CRI 3000K | Z = Bronze ¹ W = White | U = 120-277V 0-10V Dimming 4 = 480V 0-10V Dimming ³ | Blank = No Options /WS = 8ft lens Wattstopper /WS2 = 20ft lens Wattstopper | Blank = No Lightcloud® /LC = Lightcloud® Controller ² | Blank = No Options /E2 = Emergency ² |

¹ Available only for T5 and T5C distribution

² Applies to 120-277V

³ Consult Factory